

# PR120-PERGOLA SİSTEMİ

PERGOLA SYSTEM



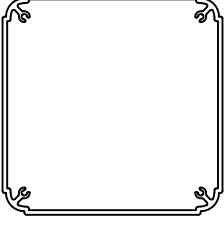
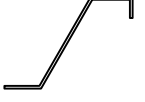
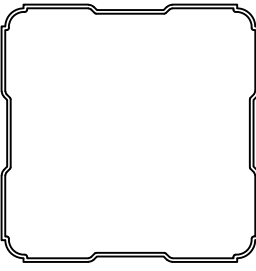
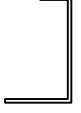
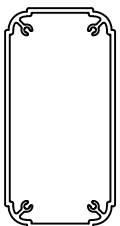


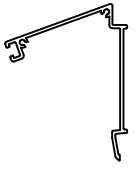

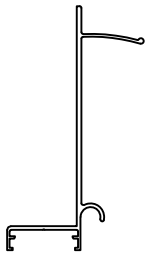
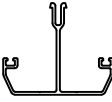





## PROFİL VE AKSESUAR LİSTELERİ *PROFILE & ACCESSORIES LISTS*

# PR120-PERGOLA SİSTEMİ

PERGOLA SYSTEM



## PROFİL LİSTESİ - PROFILE LISTS

PR120-01	Jx cm <sup>4</sup>	Jy cm <sup>4</sup>		PR120-08	Jx cm <sup>4</sup>	Jy cm <sup>4</sup>	
	282,2	282,2			5,8	6,2	
DİKME PROFİLİ-KOLON 120mm VERTICAL PROFILE-COLUMN	AĞIRLIK / Weight			MENFEZ PROFİLİ LOUVER PROFILE	AĞIRLIK / Weight		
	3,387 kg/mt				0,437 kg/mt		
PR120-02	Jx cm <sup>4</sup>	Jy cm <sup>4</sup>		PR120-09	Jx cm <sup>4</sup>	Jy cm <sup>4</sup>	
	296,4	296,4			10,43	2,14	
DEKORATİF DİKME PROFİLİ - KOLON 140mm DECORATIVE VERTICAL PROFILE-COLUMN	AĞIRLIK / Weight			MENFEZ YAN PROFİLİ LOUVER EDGE PROFILE	AĞIRLIK / Weight		
	2,646 kg/mt				0,578 kg/mt		
PR120-03	Jx cm <sup>4</sup>	Jy cm <sup>4</sup>		PR120-10	Jx cm <sup>4</sup>	Jy cm <sup>4</sup>	
	176,38	55,67			110,97	3,69	
KİRİŞ PROFİLİ 60x120mm HORIZONTAL PROFILE-BEAM	AĞIRLIK / Weight			DUVAR BAĞLANTI PROFİLİ WALL SUPPORT PROFILE	AĞIRLIK / Weight		
	2,555 kg/mt				1,287 kg/mt		
PR120-04	Jx cm <sup>4</sup>	Jy cm <sup>4</sup>		PR120-11	Jx cm <sup>4</sup>	Jy cm <sup>4</sup>	
	51,07	17,9			18,83	17,18	
KİRİŞ PROFİLİ 50x100mm HORIZONTAL PROFILE-BEAM	AĞIRLIK / Weight			DUVAR BAĞLANTI PROFİLİ WALL SUPPORT PROFILE	AĞIRLIK / Weight		
	1,127 kg/mt				0,905 kg/mt		
PR120-05	Jx cm <sup>4</sup>	Jy cm <sup>4</sup>		PR120-12	Jx cm <sup>4</sup>	Jy cm <sup>4</sup>	
	51,07	17,9			93,43	9,59	
DEKORATİF PROFİL DECORATIVE PROFILE	AĞIRLIK / Weight			DUVAR BAĞLANTI PROFİLİ WALL SUPPORT PROFILE	AĞIRLIK / Weight		
	0,694 kg/mt				1,373 kg/mt		
PR120-06	Jx cm <sup>4</sup>	Jy cm <sup>4</sup>		PR120-13	Jx cm <sup>4</sup>	Jy cm <sup>4</sup>	
	6,77	8,16			0,11	1,42	
POLİKARBONAT PROFİLİ POLYCARBONATE PROFILE	AĞIRLIK / Weight			DUVAR BAĞLANTI PROFİL KAPAĞI WALL PROFILE COVER	AĞIRLIK / Weight		
	0,762 kg/mt				0,231 kg/mt		
PR120-07	Jx cm <sup>4</sup>	Jy cm <sup>4</sup>		PR120-14	Jx cm <sup>4</sup>	Jy cm <sup>4</sup>	
	0,89	5,61			0,18	0,09	
POLİKARBONAT PROFİLİ POLYCARBONATE PROFILE	AĞIRLIK / Weight			KUTU PROFİLİ BOX PROFILE	AĞIRLIK / Weight		
	0,519 kg/mt				0,178 kg/mt		
PR120-08	Jx cm <sup>4</sup>	Jy cm <sup>4</sup>		PR120-15	Jx cm <sup>4</sup>	Jy cm <sup>4</sup>	
	0,89	5,61			1,51	0,53	
POLİKARBONAT PROFİLİ POLYCARBONATE PROFILE	AĞIRLIK / Weight			POLİKARBONAT KENAR PROFİLİ POLYCARBONATE DEGE PROFILE	AĞIRLIK / Weight		
	0,519 kg/mt				0,140 kg/mt		

# PR120-PERGOLA SİSTEMİ

PERGOLA SYSTEM



## AKSESUAR LİSTESİ - ACCESSORIES LISTS

<b>15001</b>		<b>15008</b>	
KOLON ANKRAJI COLUMN SUPPORT BEAM	KOLİ MİKTARI/Package Adet	PR120-03 KAPAĞI PR120-03 BEAM COVER	KOLİ MİKTARI/Package Adet
<b>15001B</b>		<b>15008B</b>	
KOLON ANKRAJI COLUMN SUPPORT BEAM	KOLİ MİKTARI/Package Adet	PR120-03 KAPAĞI 45° PR120-03 BEAM COVER 45°	KOLİ MİKTARI/Package Adet
<b>15002</b>		<b>15008C</b>	
KOLON-KİRİŞ BAĞLANTI COLUMN TO BEAM CONNECTION BASE	KOLİ MİKTARI/Package Adet	PR120-03 DÜZ KAPAK PR120-03 FLAT COVER	KOLİ MİKTARI/Package Adet
<b>15003</b>		<b>15009</b>	
AÇILI KOLON-KİRİŞ BAĞLANTI COLUMN TO INCLINED CONNECTION BASE	KOLİ MİKTARI/Package Adet	POLİKARBON PROFİLİ KAPAĞI POLYCARBONATE PROFILE COVER	KOLİ MİKTARI/Package Adet
<b>15004</b>		<b>15010</b>	
DEKORATİF DİKEY DİŞ BAĞLANTI DECORATIVE EXTERNAL VERTICAL CONNECTOR	KOLİ MİKTARI/Package Adet	DUVAR BAĞLANTI PROFİLİ KAPAĞI WALL SUPPORT BASE COVER	KOLİ MİKTARI/Package Adet
<b>15005</b>		<b>15011</b>	
DEKORATİF YATAY DİŞ BAĞLANTI DECORATIVE EXTERNAL HORIZONTAL CONNECTOR	KOLİ MİKTARI/Package Adet	KİRİŞ BAĞLANTI BEAM SUPPORT BASE	KOLİ MİKTARI/Package Adet
<b>15006</b>		<b>15012</b>	
BAĞLANTI KAPAĞI CONNECTOR COVER	KOLİ MİKTARI/Package Adet	DEKORATİF KOLON AYAK DECORATIVE COLUMN BASE	KOLİ MİKTARI/Package Adet
<b>15007</b>		<b>15013</b>	
PR120-01 KAPAĞI PR120-01 BEAM COVER	KOLİ MİKTARI/Package Adet	DEKORATİF KOLON AYAK DECORATIVE COLUMN BASE	KOLİ MİKTARI/Package Adet
<b>15007B</b>		<b>15024</b>	
PR120-01 KAPAĞI 45° PR120-01 BEAM COVER 45°	KOLİ MİKTARI/Package Adet	POLİKARBONAT PROFİL FİTİLİ POLYCARBONATE GASKET	KOLİ MİKTARI/Package Adet
<b>15007C</b>		<b>15025</b>	
PR120-01 DÜZ KAPAK PR120-01 FLAT COVER	KOLİ MİKTARI/Package Adet	DUVAR BAĞLANTI BİTİŞ YALITIM FİTİLİ GASKET FOR WALL SUPPORT SEALING	KOLİ MİKTARI/Package Adet

# PR120-PERGOLA SİSTEMİ

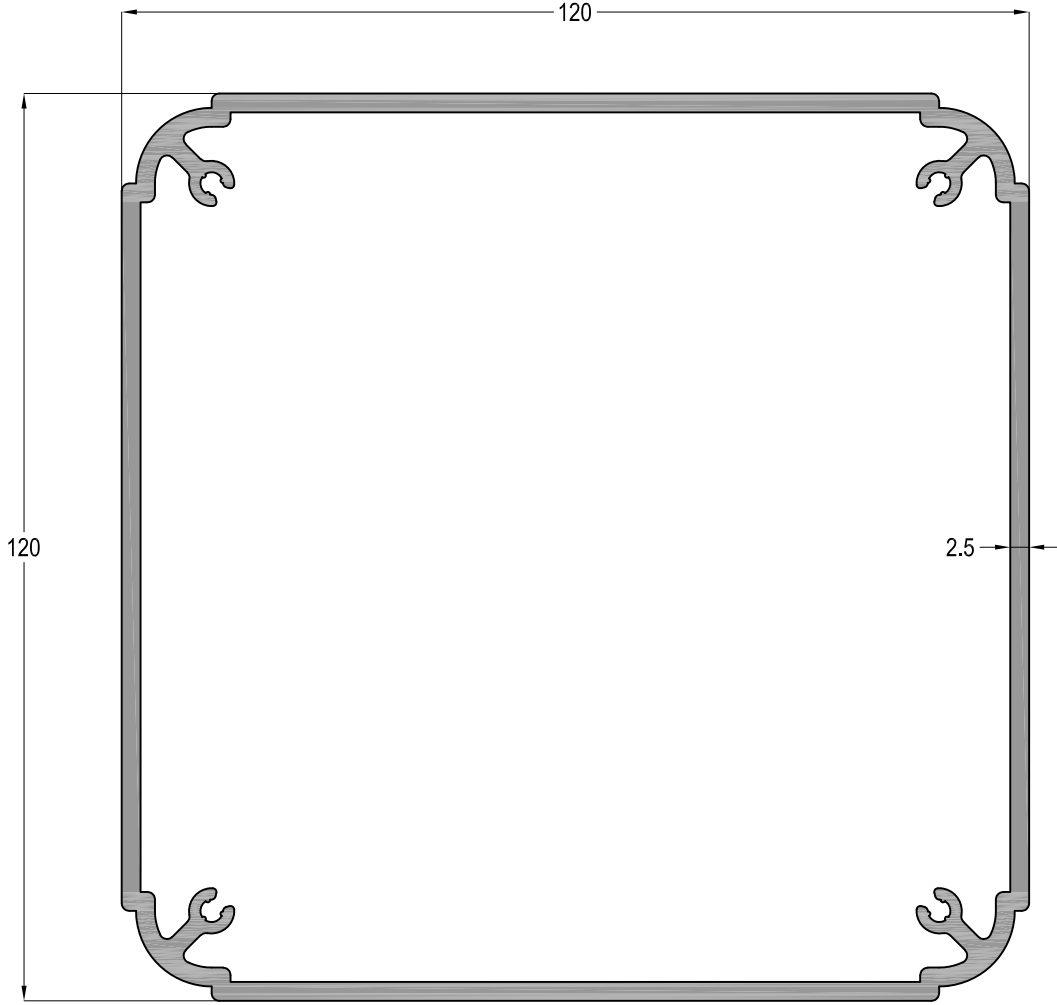
PERGOLA SYSTEM



PROFİL DETAYLARI  
*PROFILE DETAILS*

# PR120-PERGOLA SİSTEMİ

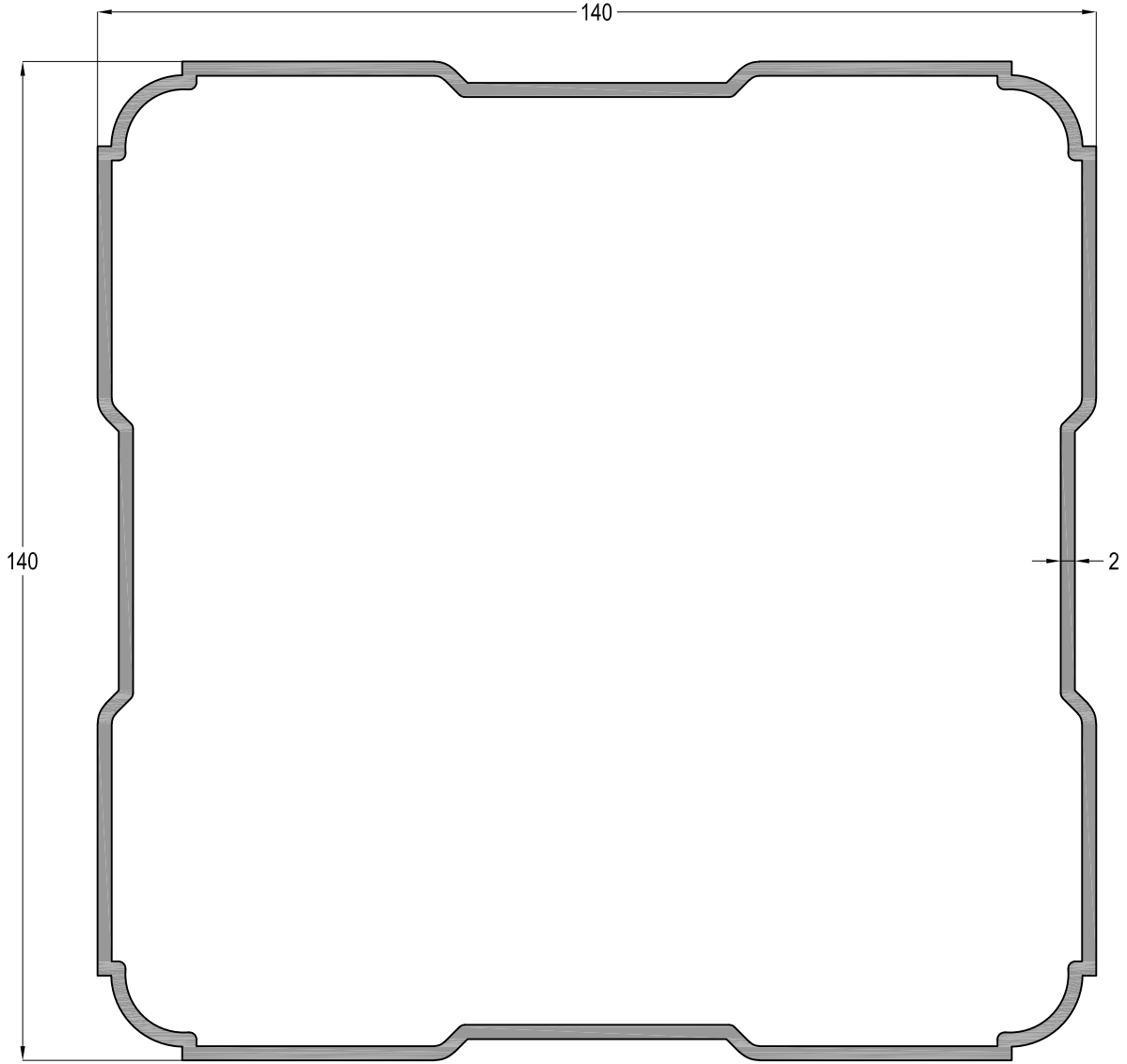
PERGOLA SYSTEM



PR120-01	Jx cm <sup>4</sup>	Jy cm <sup>4</sup>
	282,2	282,2
	AĞIRLIK / Weight	
	3,387 kg/mt	

# PR120-PERGOLA SİSTEMİ

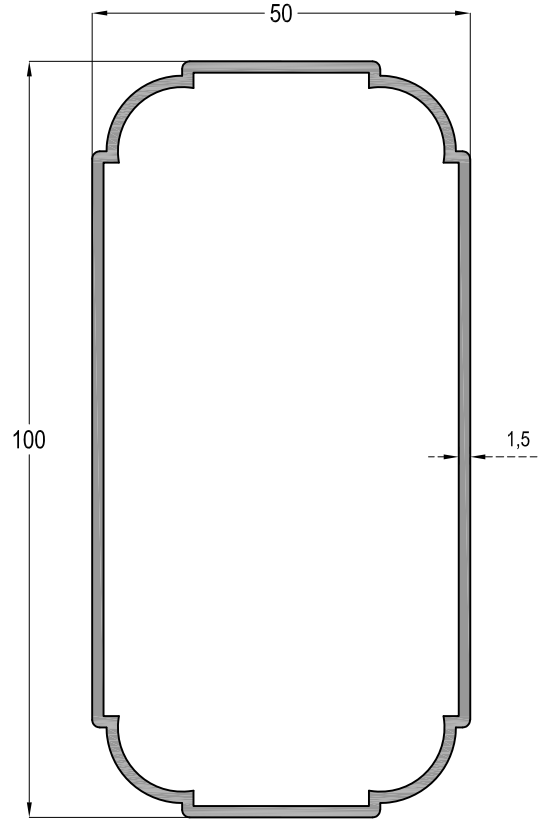
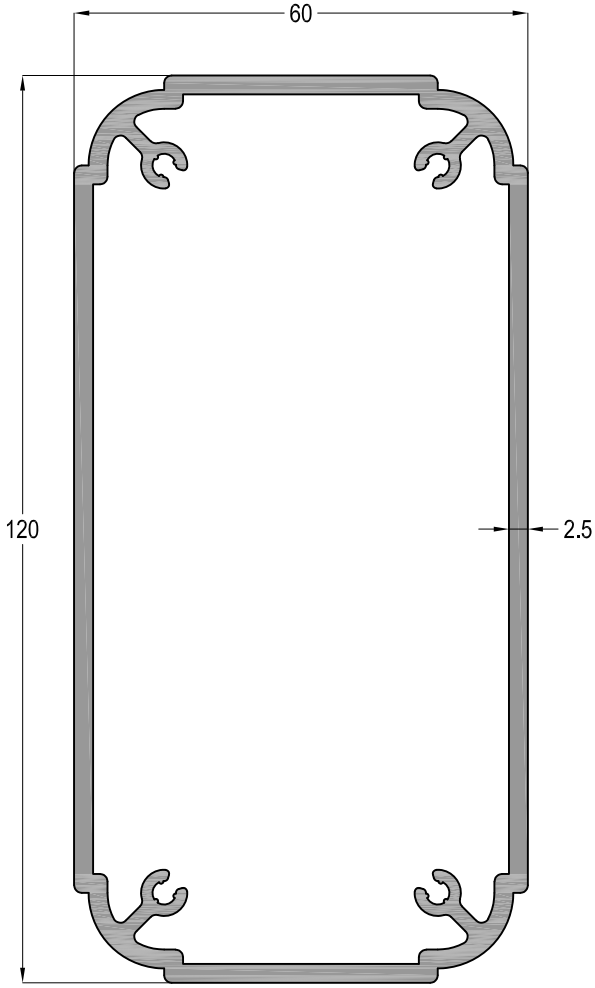
PERGOLA SYSTEM



PR120-02	Jx cm <sup>4</sup>	Jy cm <sup>4</sup>
	296,4	296,4
	AĞIRLIK / Weight	
	2,646 kg/mt	

# PR120-PERGOLA SİSTEMİ

PERGOLA SYSTEM



PR120-03	Jx cm <sup>4</sup>	Jy cm <sup>4</sup>
	176,38	55,67
	AĞIRLIK / Weight	
	2,555 kg/mt	

PR120-04	Jx cm <sup>4</sup>	Jy cm <sup>4</sup>
	51,07	17,9
	AĞIRLIK / Weight	
	1,127 kg/mt	

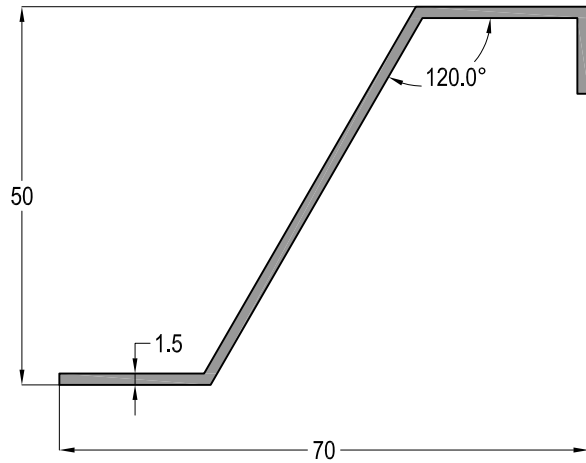
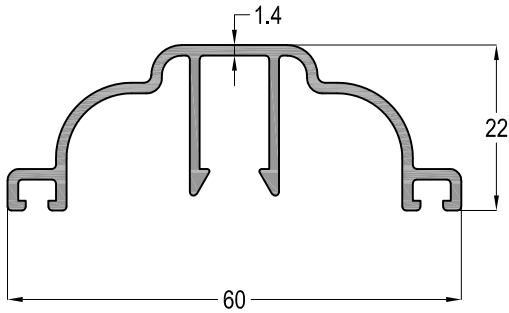
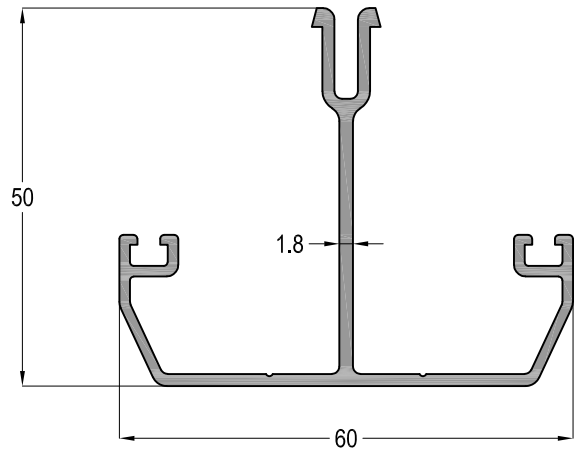
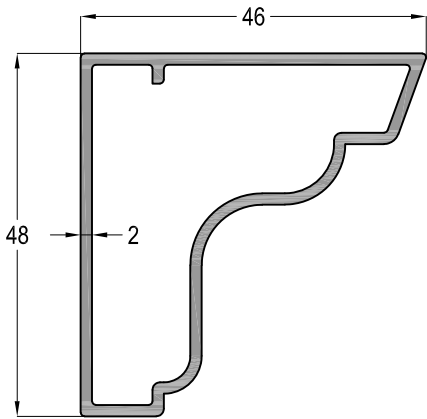
# PR120-PERGOLA SİSTEMİ

PERGOLA SYSTEM



PR120-05	Jx cm <sup>4</sup>	Jy cm <sup>4</sup>
	6,65	5,39
AĞIRLIK / Weight		
0,694 kg/mt		

PR120-06	Jx cm <sup>4</sup>	Jy cm <sup>4</sup>
	6,77	8,16
AĞIRLIK / Weight		
0,762 kg/mt		



PR120-07	Jx cm <sup>4</sup>	Jy cm <sup>4</sup>
	0,89	5,61
AĞIRLIK / Weight		
0,519 kg/mt		

PR120-08	Jx cm <sup>4</sup>	Jy cm <sup>4</sup>
	5,8	6,2
AĞIRLIK / Weight		
0,437 kg/mt		



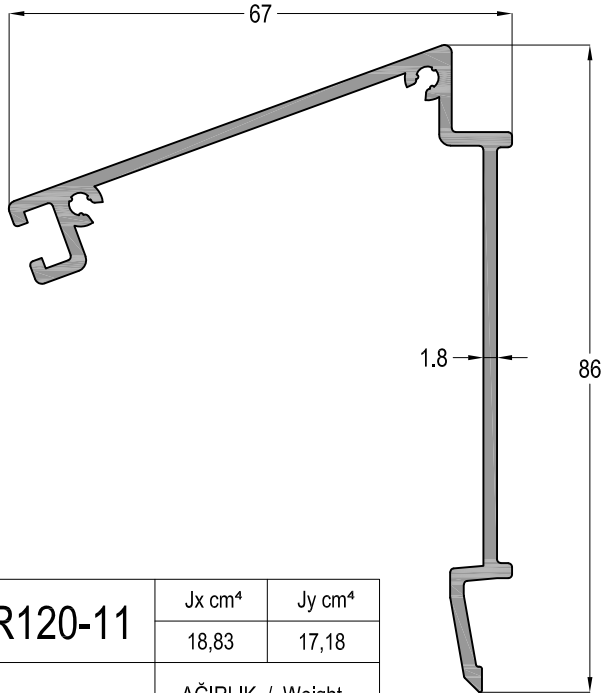
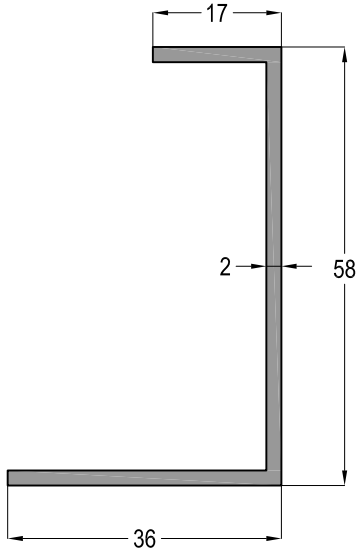
# PR120-PERGOLA SİSTEMİ

PERGOLA SYSTEM

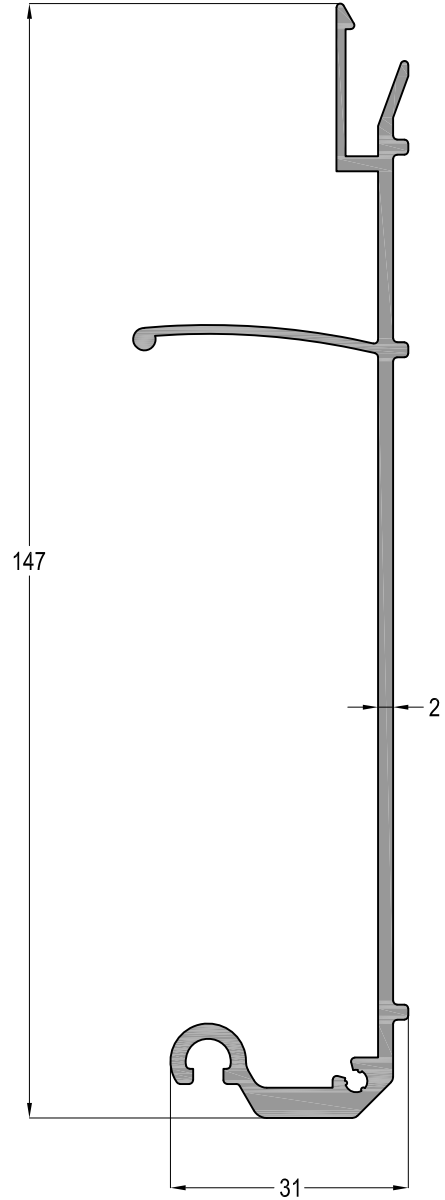


PR120-09	Jx cm <sup>4</sup>	Jy cm <sup>4</sup>
	10,43	2,14
	AĞIRLIK / Weight	
	0,578 kg/mt	

PR120-10	Jx cm <sup>4</sup>	Jy cm <sup>4</sup>
	110,97	3,69
	AĞIRLIK / Weight	
	1,287 kg/mt	



PR120-11	Jx cm <sup>4</sup>	Jy cm <sup>4</sup>
	18,83	17,18
	AĞIRLIK / Weight	
	0,905 kg/mt	



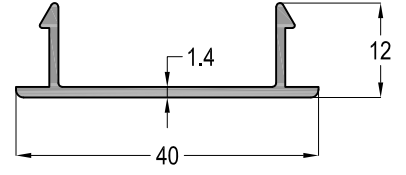
# PR120-PERGOLA SİSTEMİ

PERGOLA SYSTEM

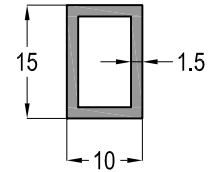


PR120-12	Jx cm <sup>4</sup>	Jy cm <sup>4</sup>
	93,43	9,59
	AĞIRLIK / Weight	
	1,373 kg/mt	

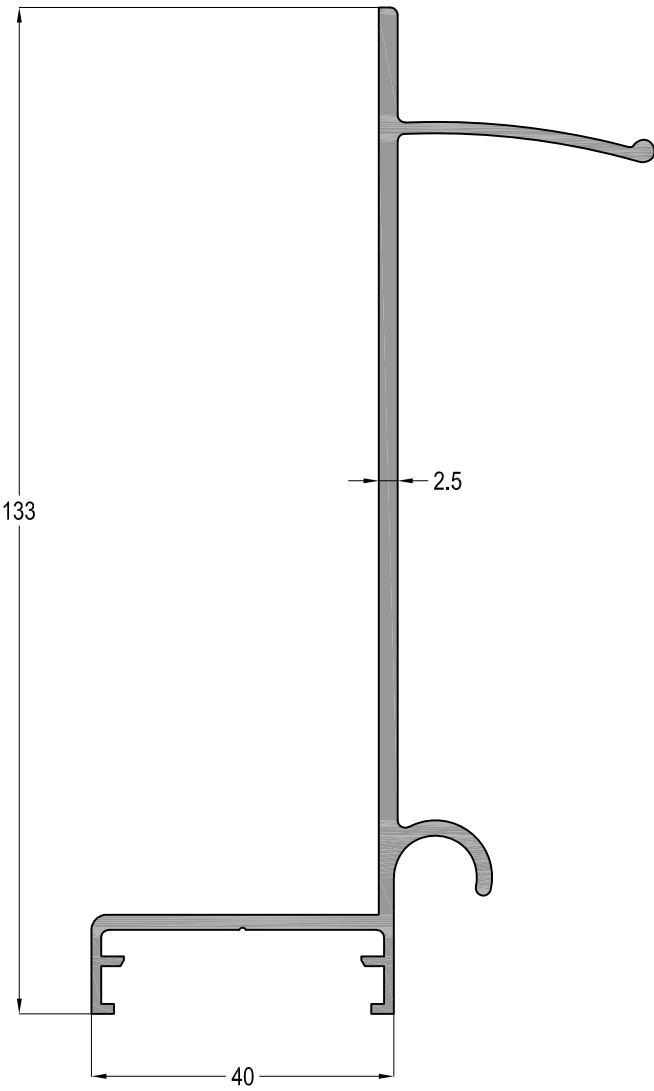
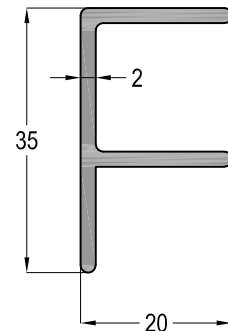
PR120-13	Jx cm <sup>4</sup>	Jy cm <sup>4</sup>
	0,11	1,42
	AĞIRLIK / Weight	
	0,231 kg/mt	



PR120-14	Jx cm <sup>4</sup>	Jy cm <sup>4</sup>
	0,18	0,09
	AĞIRLIK / Weight	
	0,178 kg/mt	



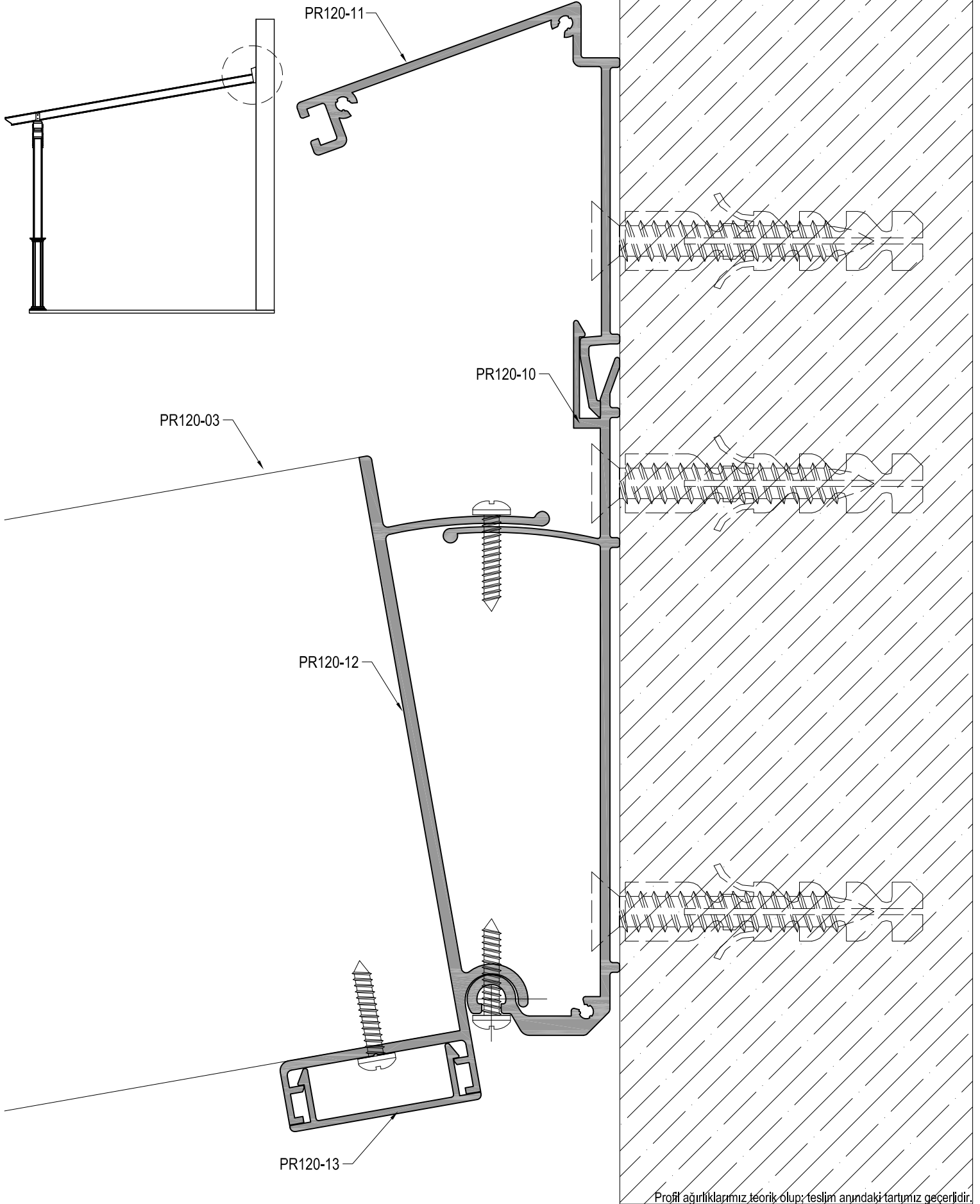
PR120-15	Jx cm <sup>4</sup>	Jy cm <sup>4</sup>
	1,51	0,53
	AĞIRLIK / Weight	
	0,140 kg/mt	



# PR120-PERGOLA SİSTEMİ

PERGOLA SYSTEM

ASISTAL



Profil ağırlıklarımız teorik olup; teslim anındaki tartımız geçerlidir.

**PR120-PERGOLA SİSTEMİ**

PERGOLA SYSTEM



**SİSTEM UYGULAMA DETAYLARI**  
*SYSTEM ASSEMBLY DETAILS*

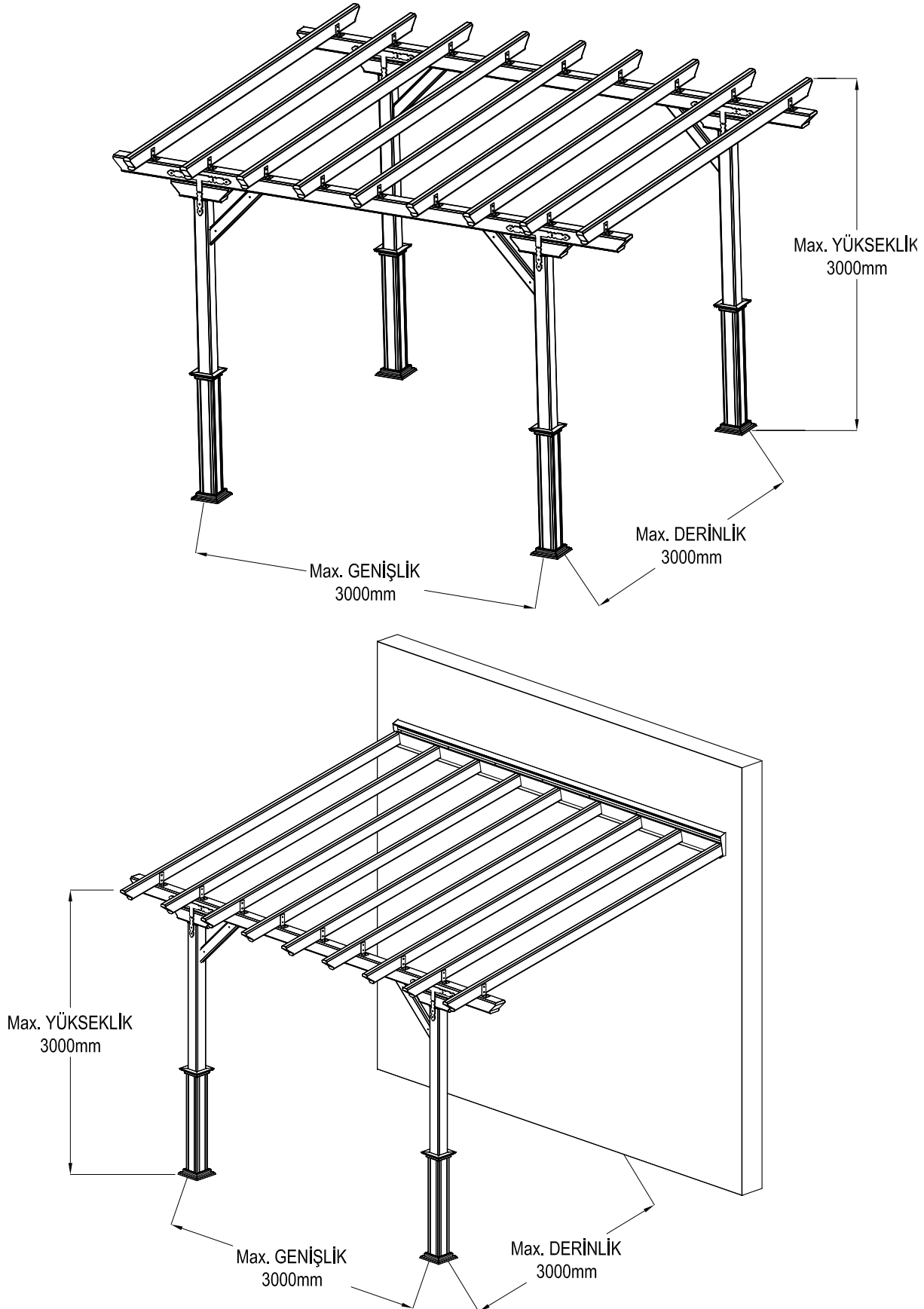
# PR120-PERGOLA SİSTEMİ

PERGOLA SYSTEM



## PERGOLA MAKSİMUM UYGULAMA ÖLÇÜLERİ

MAXIMUM DIMENSIONS OF PERGOLA



Profil ağırlıklarımız teorik olup; teslim anındaki tartımız geçerlidir.

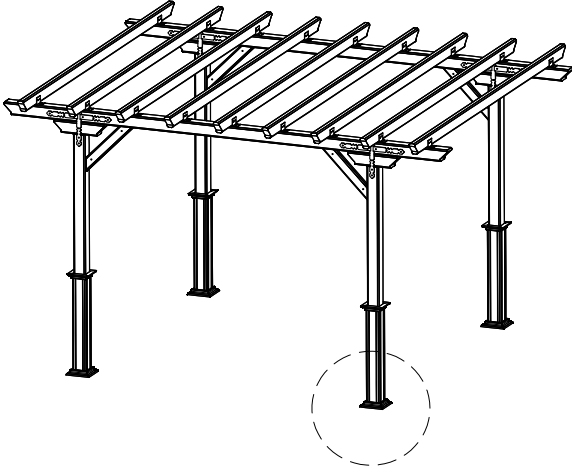
# PR120-PERGOLA SİSTEMİ

PERGOLA SYSTEM



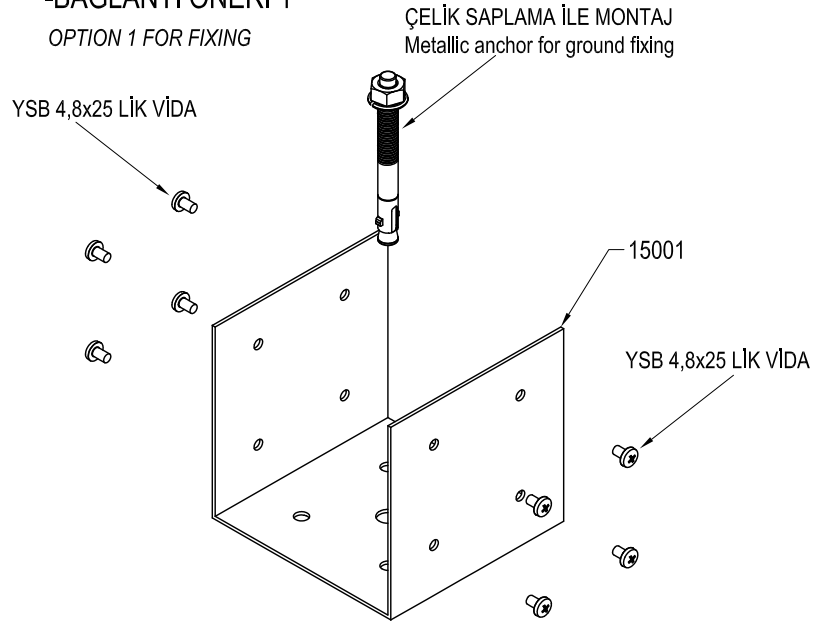
## PERGOLA ZEMİN MONTAJI DEKORATİF KOLON KULLANIMINDA

FIXING TO THE GROUND USING THE DECORATIVE COLUMN



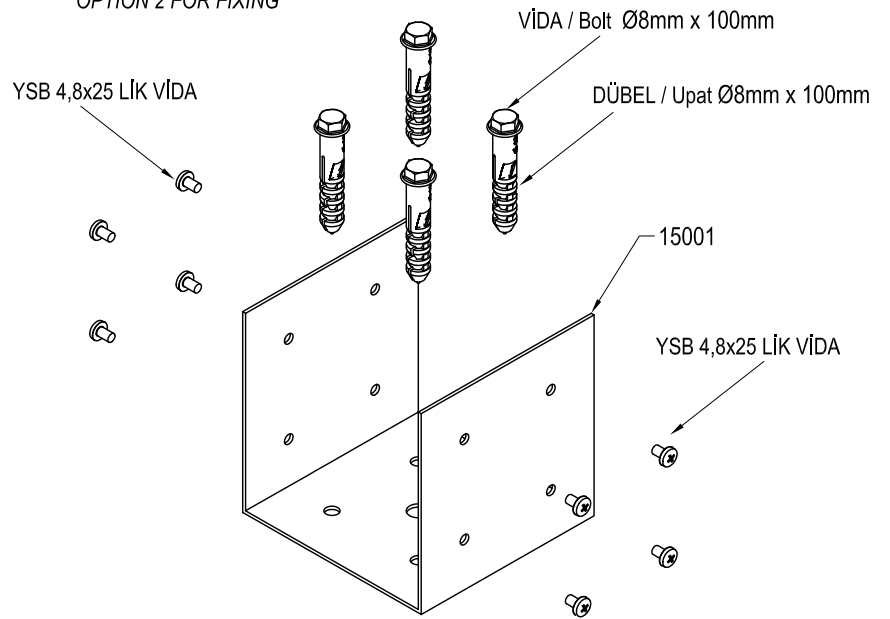
### -BAĞLANTI ÖNERİ 1

OPTION 1 FOR FIXING



### -BAĞLANTI ÖNERİ 2

OPTION 2 FOR FIXING



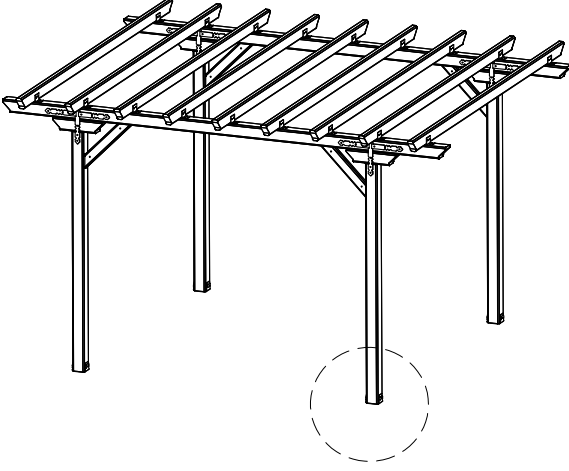
# PR120-PERGOLA SİSTEMİ

PERGOLA SYSTEM



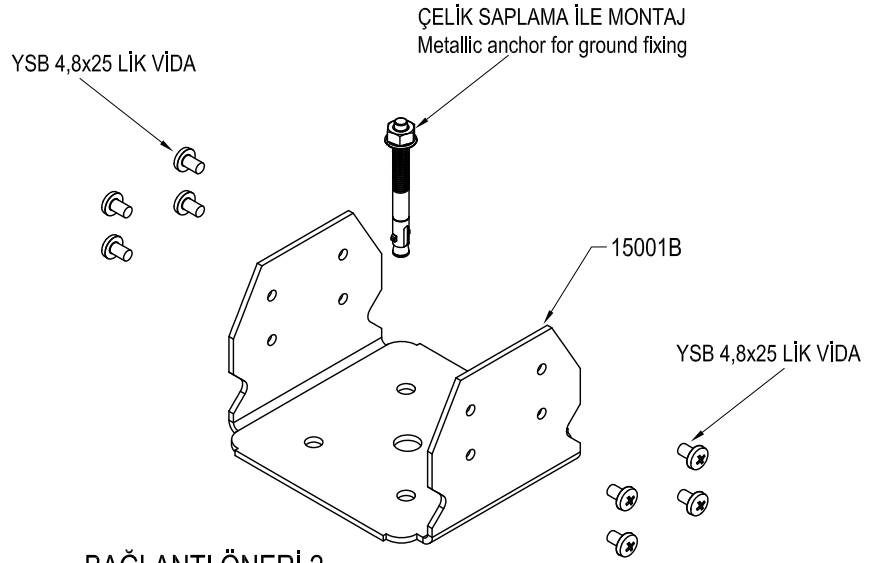
## PERGOLA ZEMİN MONTAJI DEKORATİF KOLON KULLANILMADIĞINDA

FIXING TO THE GROUND NON USING THE DECORATIVE COLUMN



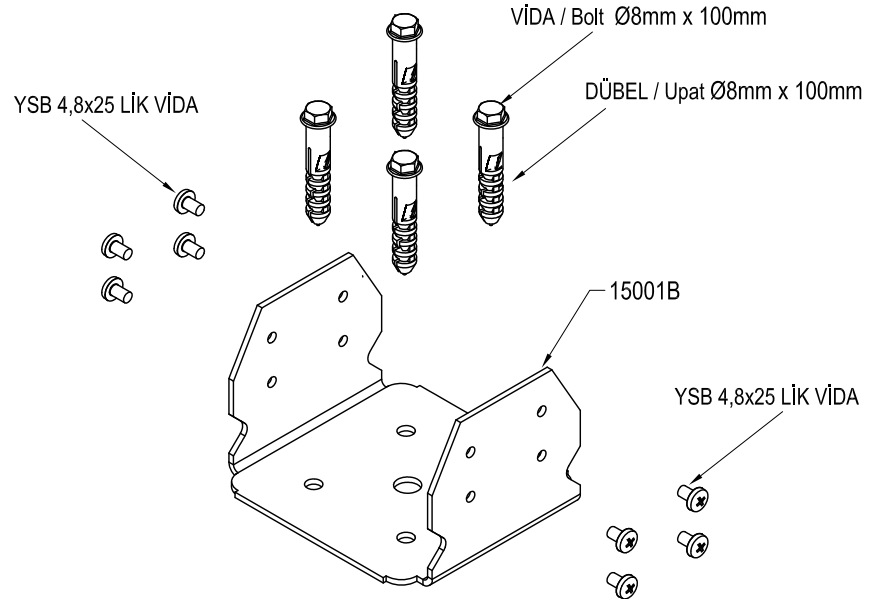
### -BAĞLANTI ÖNERİ 1

OPTION 1 FOR FIXING



### -BAĞLANTI ÖNERİ 2

OPTION 2 FOR FIXING



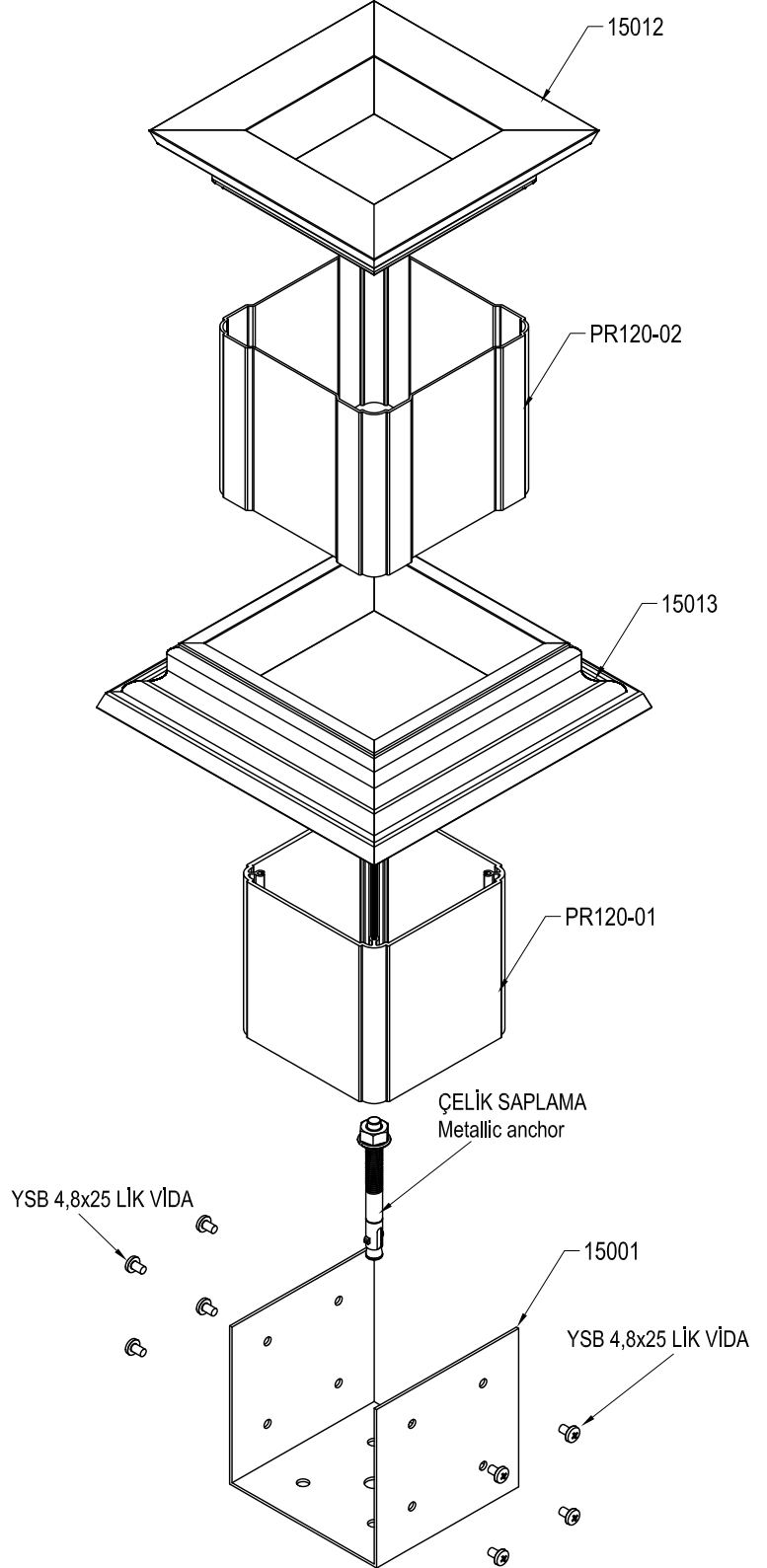
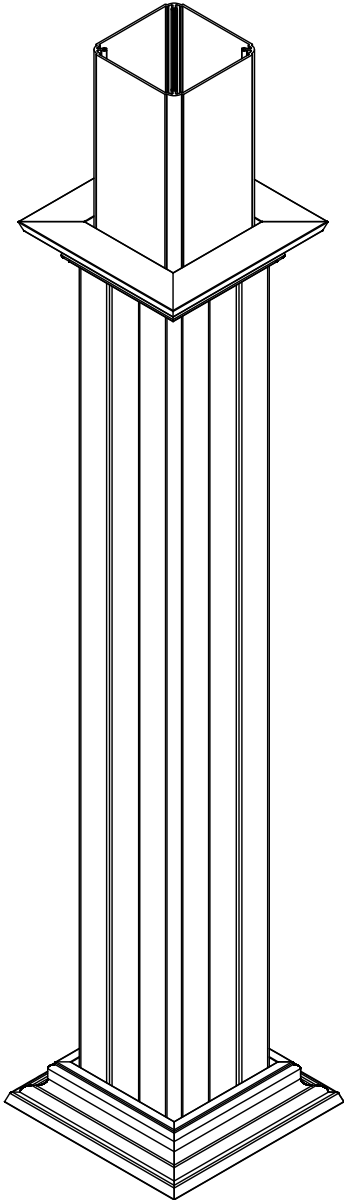
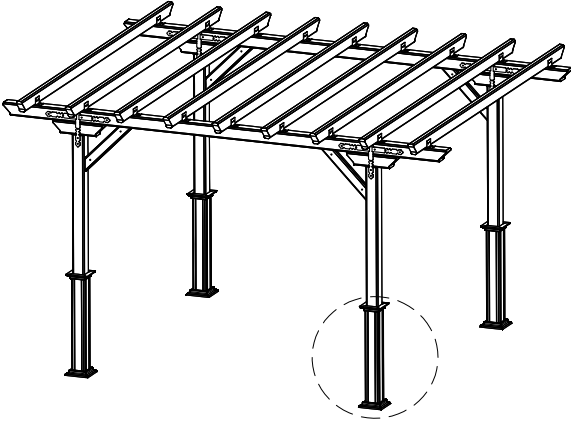
# PR120-PERGOLA SİSTEMİ

PERGOLA SYSTEM



## TAŞIYICI KOLON TASARIM SEÇENEKLERİ - ÖNERİ 1

SUPPORT COLUMN DESIGN OPTIONS - OPTION 1





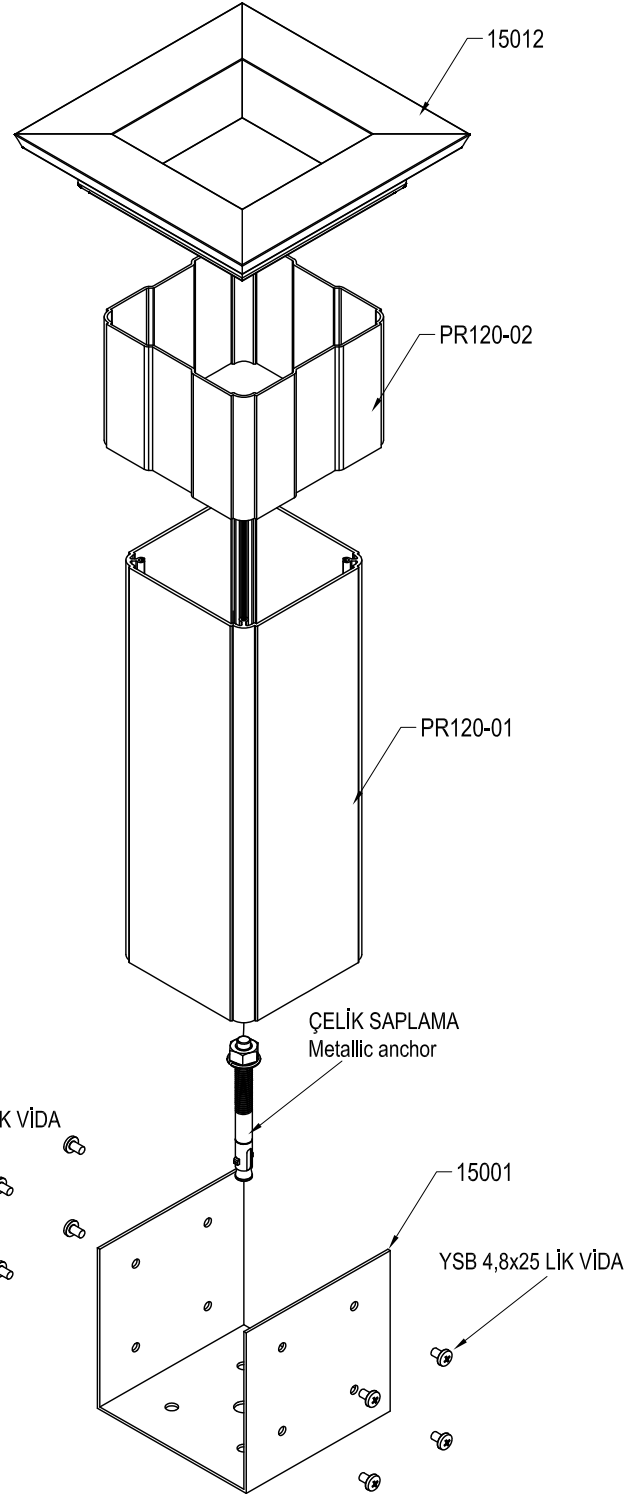
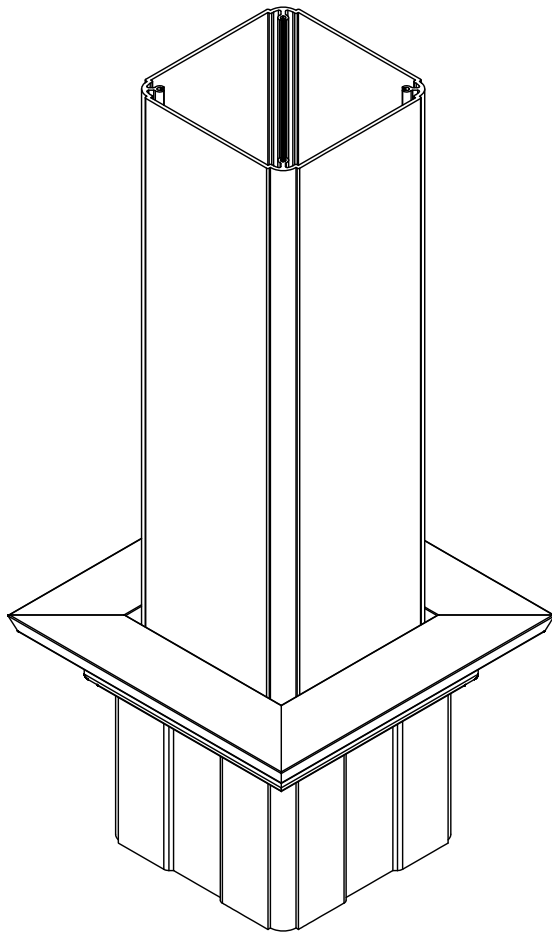
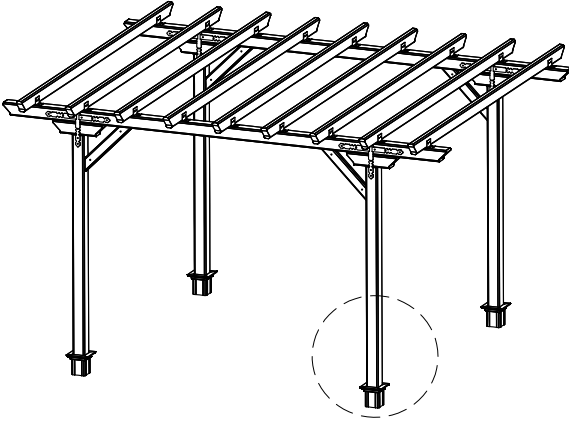
# PR120-PERGOLA SİSTEMİ

PERGOLA SYSTEM



## TAŞIYICI KOLON TASARIM SEÇENEKLERİ - ÖNERİ 2

SUPPORT COLUMN DESIGN OPTIONS - OPTION 2



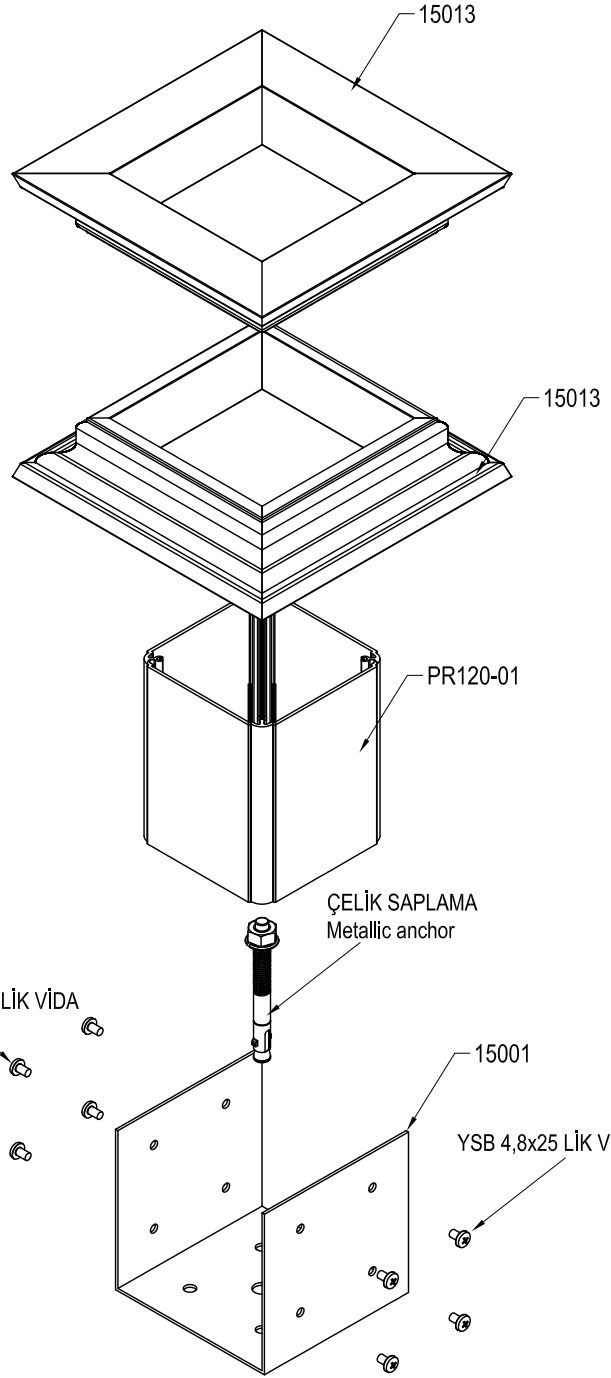
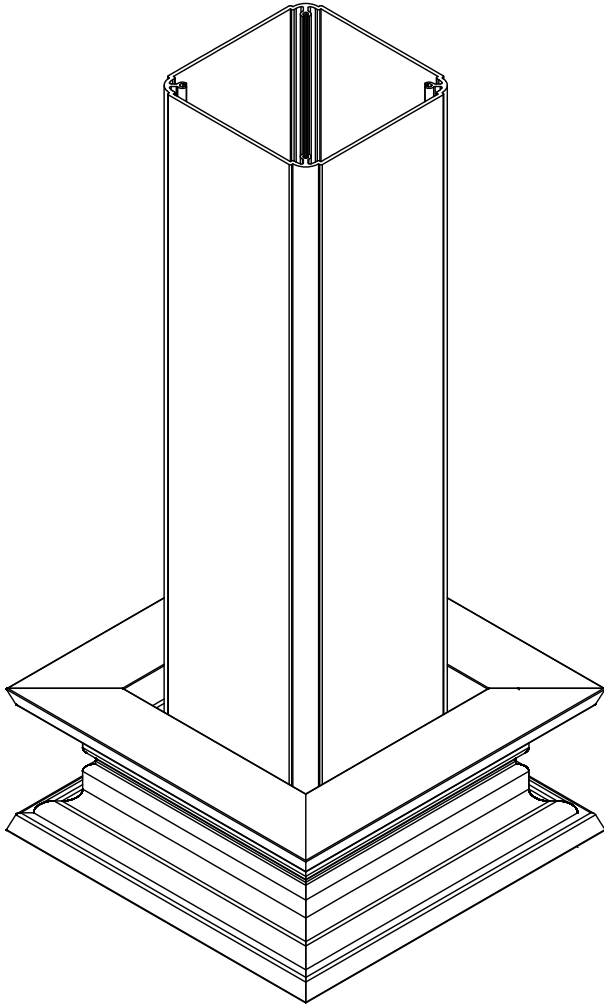
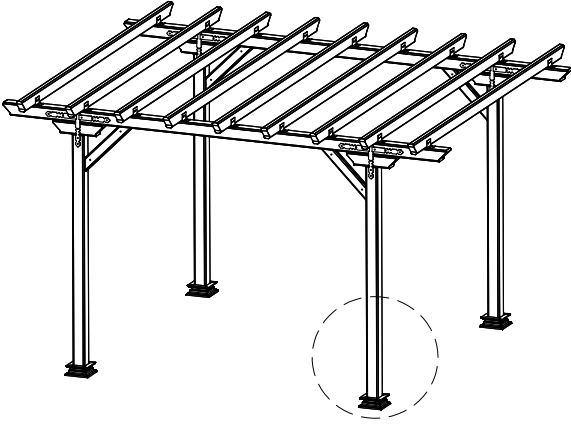
# PR120-PERGOLA SİSTEMİ

PERGOLA SYSTEM



## TAŞIYICI KOLON TASARIM SEÇENEKLERİ - ÖNERİ 3

SUPPORT COLUMN DESIGN OPTIONS - OPTION 3



YSB 4,8x25 LİK VİDA

ÇELİK SAPLAMA  
Metallic anchor

15001

YSB 4,8x25 LİK VİDA

15013

15013

PR120-01

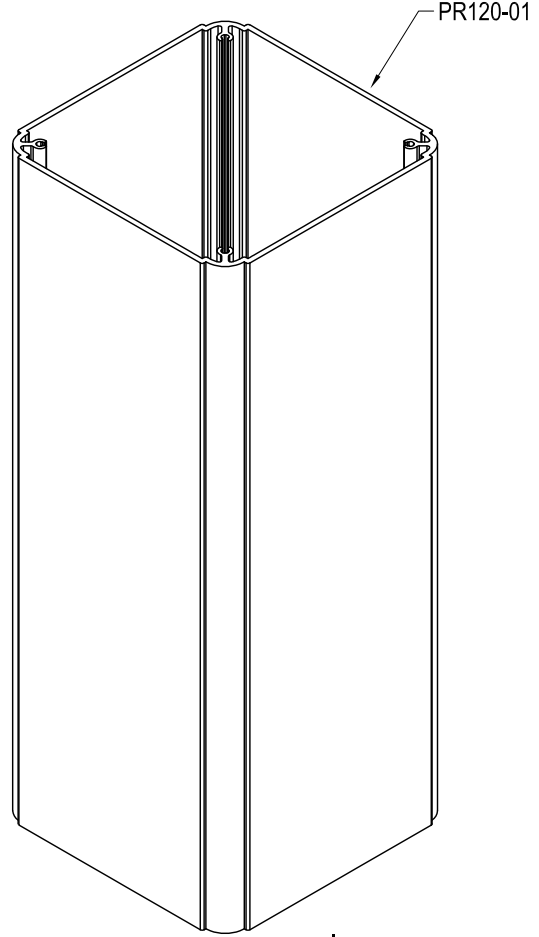
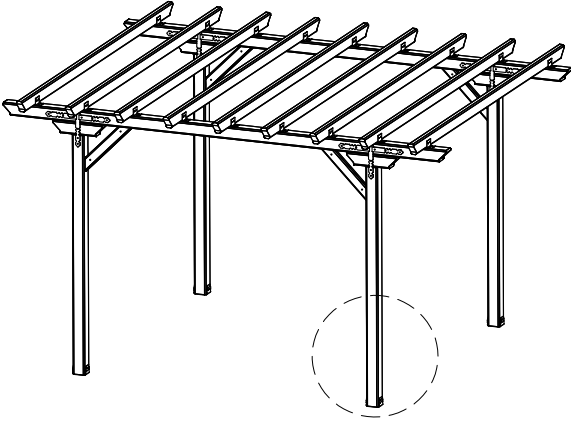
# PR120-PERGOLA SİSTEMİ

PERGOLA SYSTEM

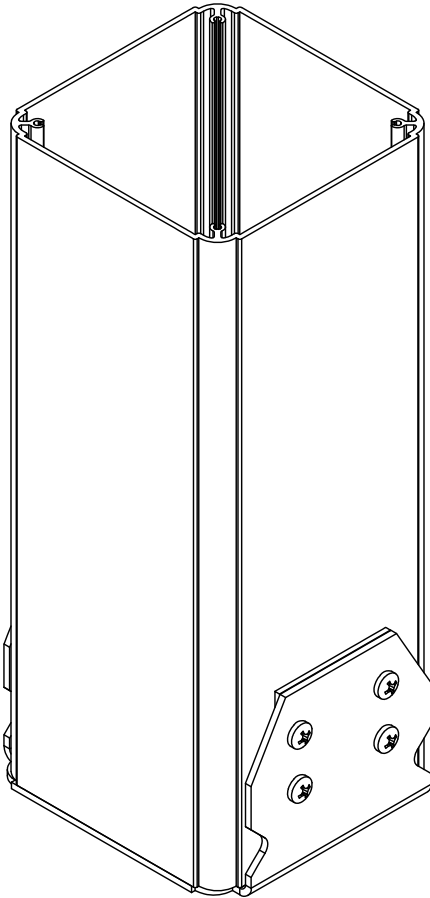


## TAŞIYICI KOLON TASARIM SEÇENEKLERİ - ÖNERİ 4

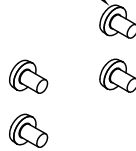
SUPPORT COLUMN DESIGN OPTIONS - OPTION 4



PR120-01



YSB 4,8x25 LİK VİDA



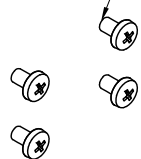
ÇELİK SAPLAMA  
Metallic anchor



FLANŞ  
80x59x2,5mm

15001B

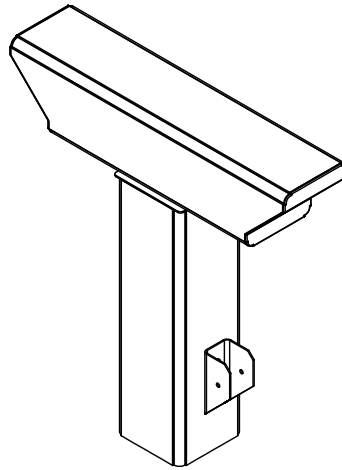
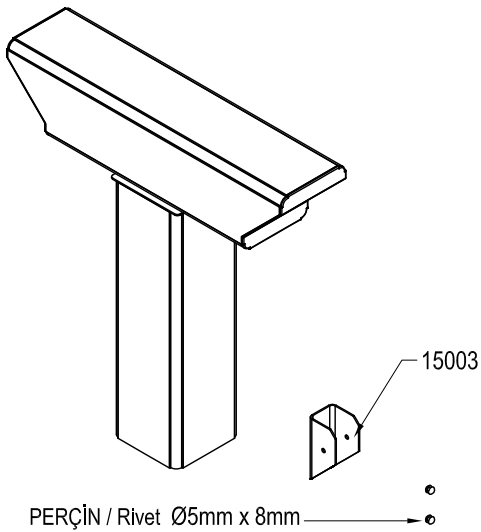
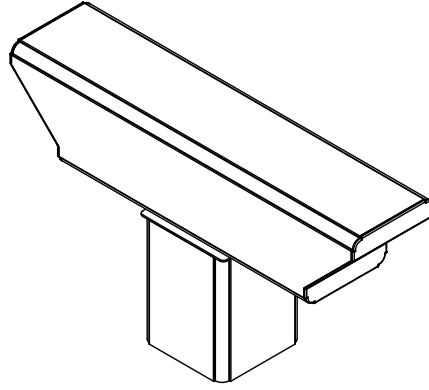
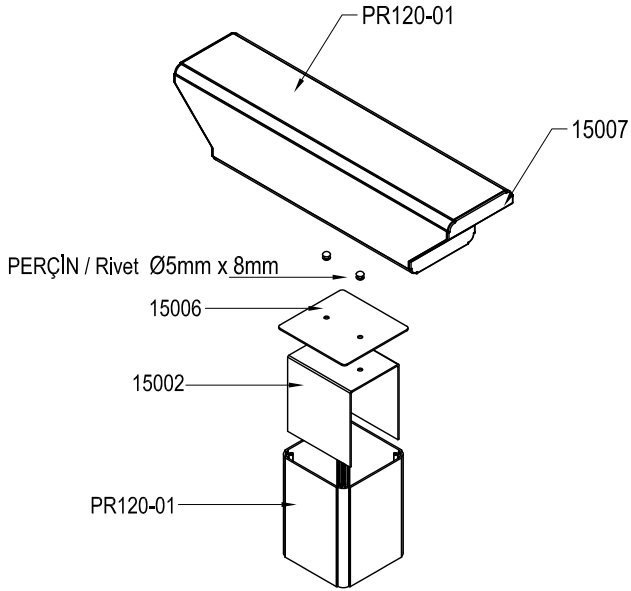
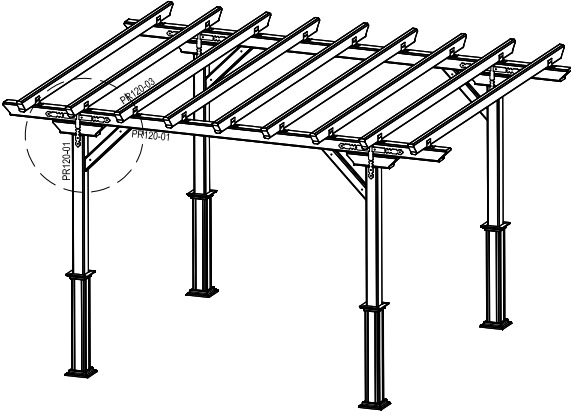
YSB 4,8x25 LİK VİDA





## KOLON-KİRİŞ BAĞLANTISI - 1

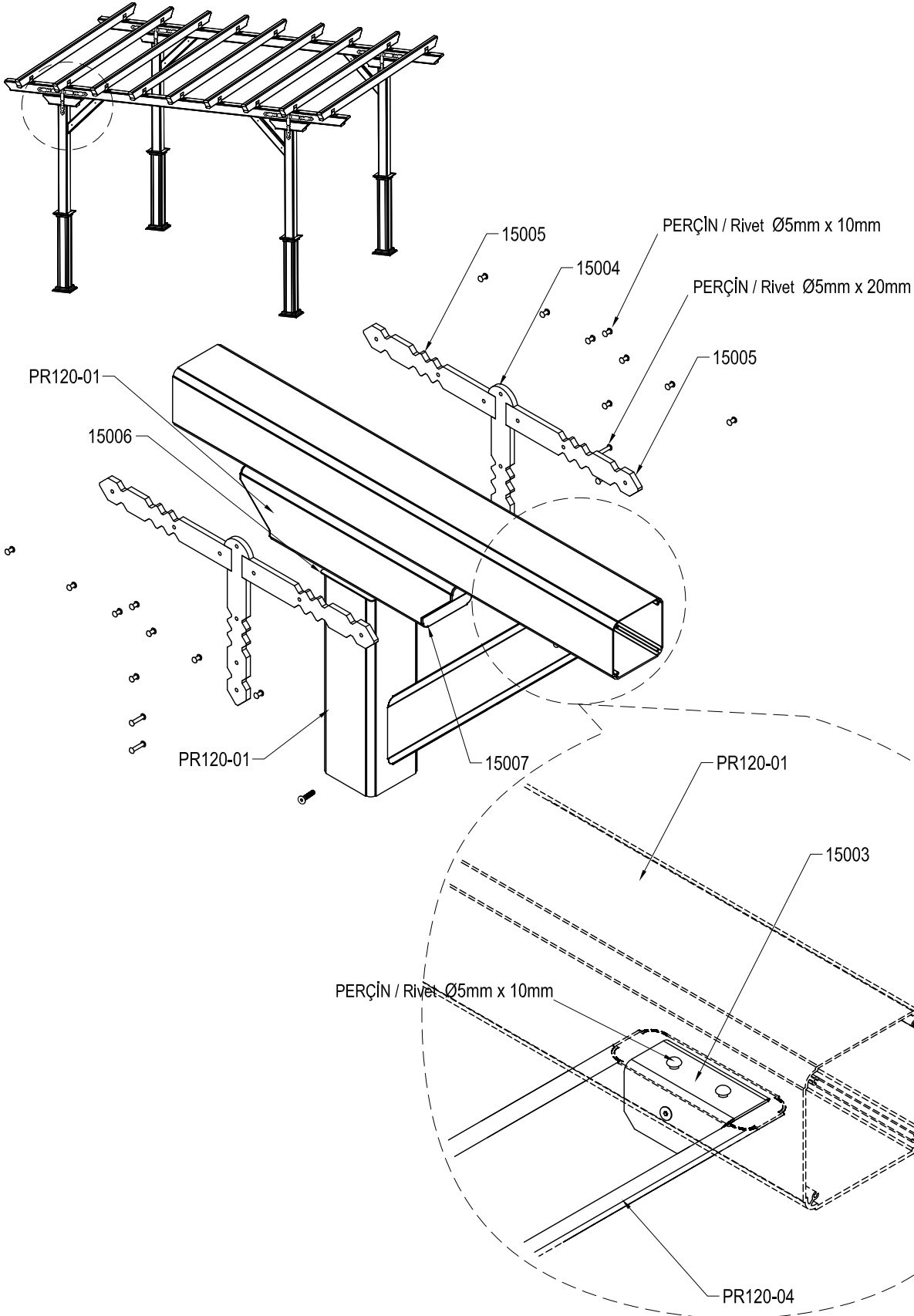
CONNECTION OF COLUMN WITH HORIZONTAL BEAM - 1





## KOLON-KİRİŞ BAĞLANTISI - 2

CONNECTION OF COLUMN WITH HORIZONTAL BEAM - 2



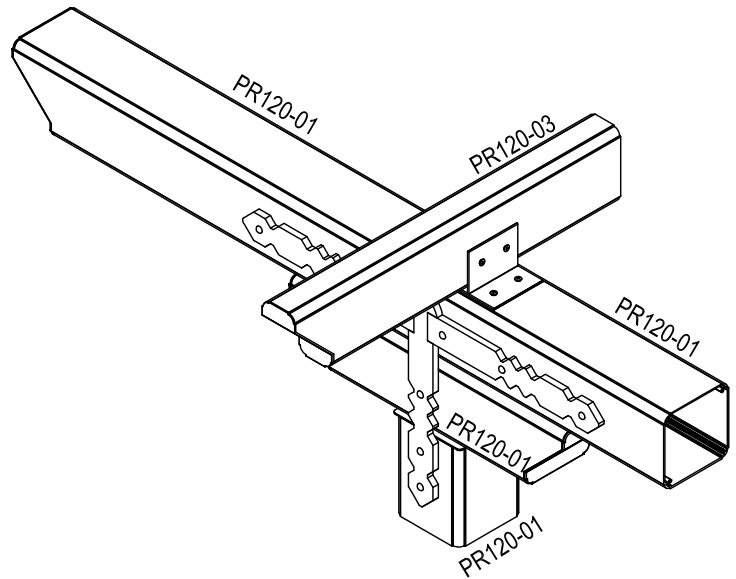
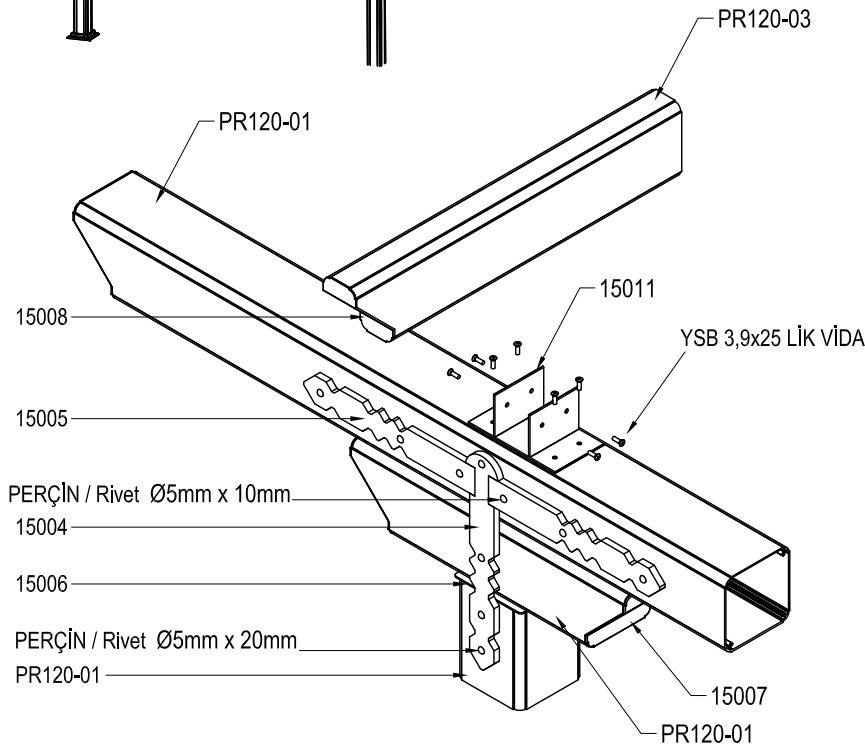
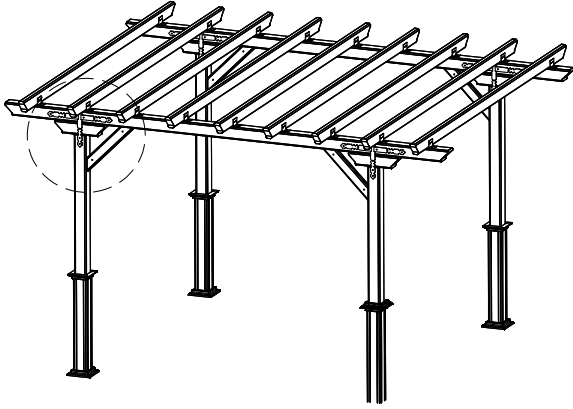
# PR120-PERGOLA SİSTEMİ

PERGOLA SYSTEM



## KOLON-KİRİŞ BAĞLANTISI - 3

CONNECTION OF COLUMN WITH HORIZONTAL BEAM - 3



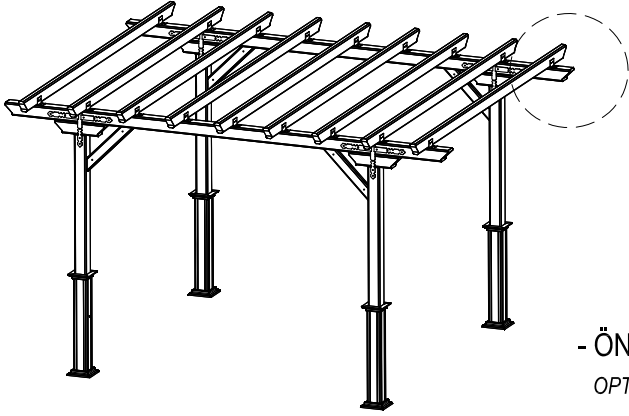
# PR120-PERGOLA SİSTEMİ

PERGOLA SYSTEM

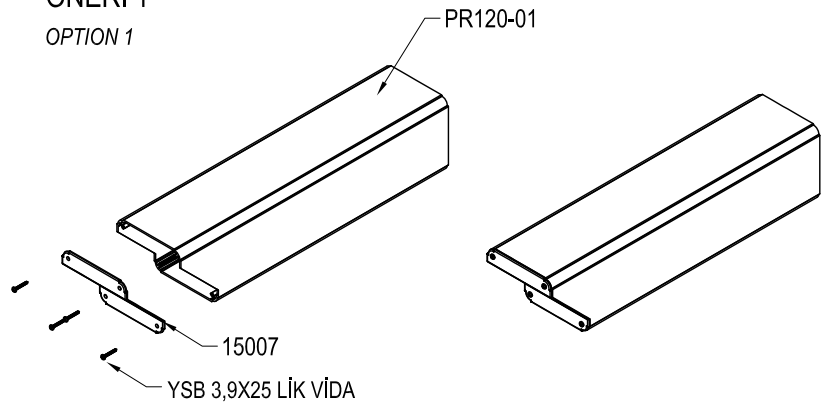
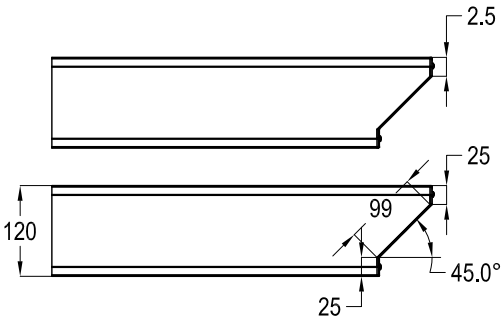


## ANA KİRİŞ TASARIM SEÇENEKLERİ - PR120-01 İÇİN

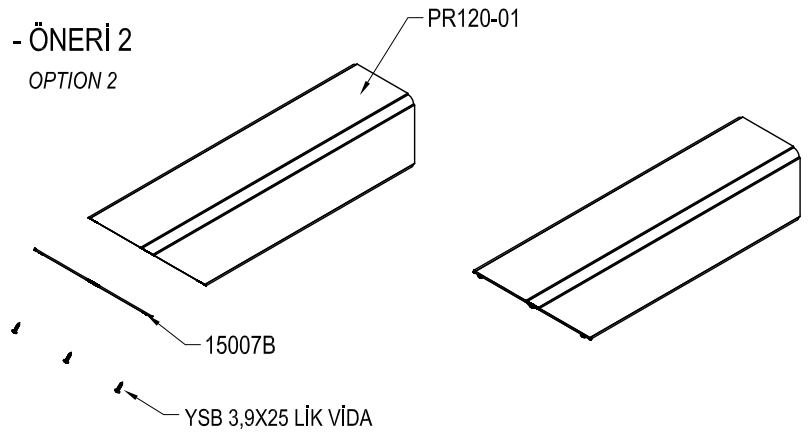
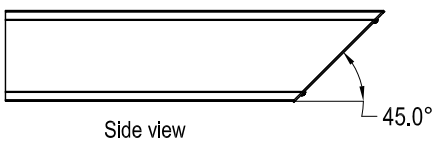
SUPPORT COLUMN DESIGN OPTIONS FOR PR120-01



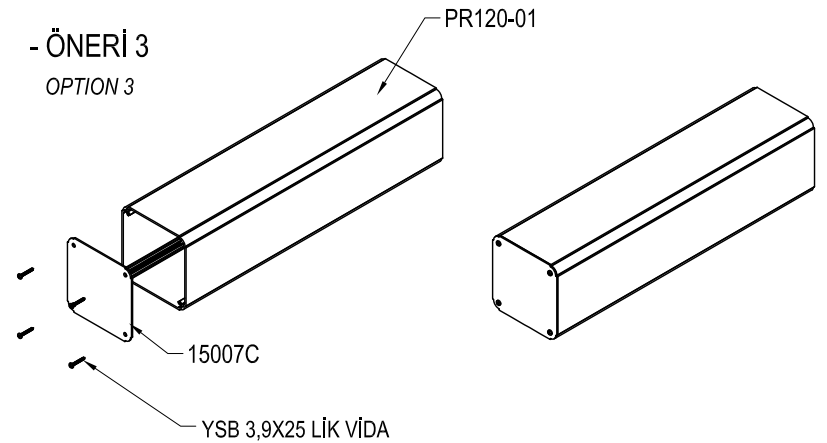
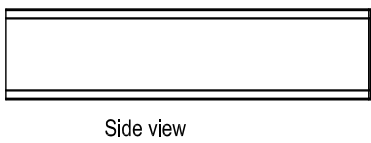
### - ÖNERİ 1 OPTION 1



### - ÖNERİ 2 OPTION 2



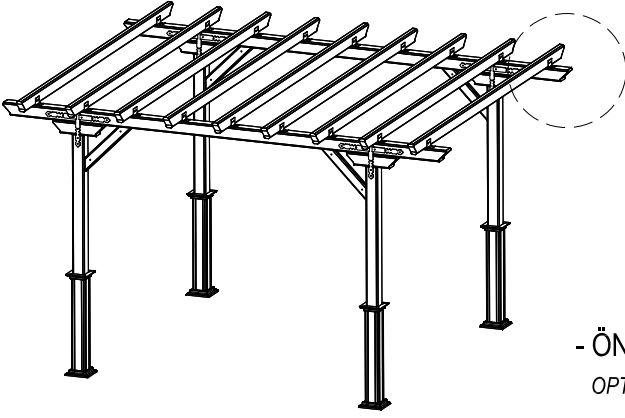
### - ÖNERİ 3 OPTION 3



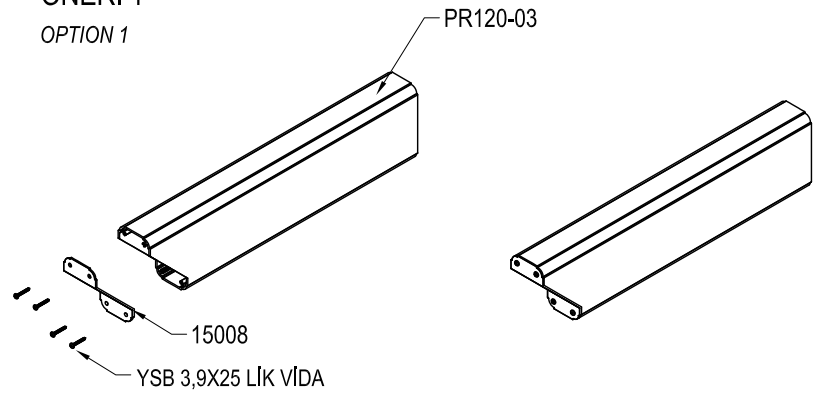
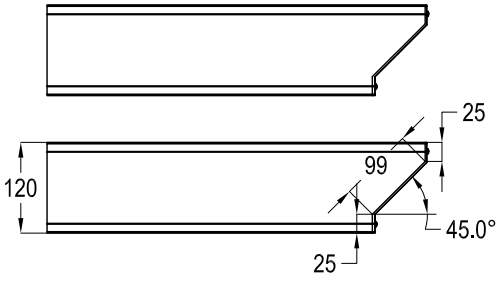


## TALİ KİRİŞ TASARIM SEÇENEKLERİ - PR120-03 İÇİN

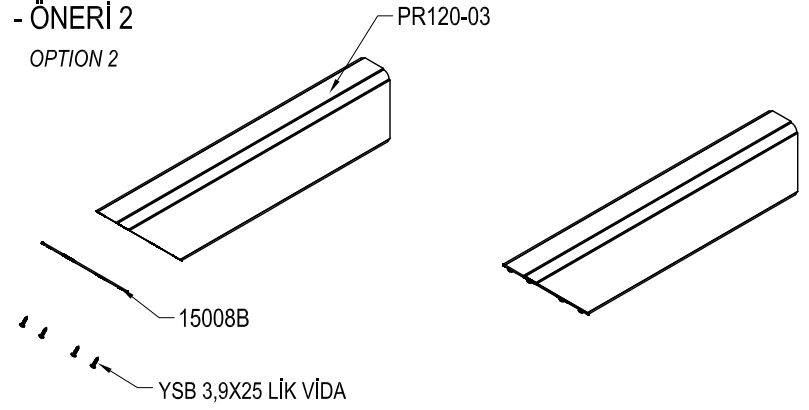
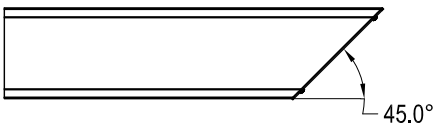
SUPPORT COLUMN DESIGN OPTIONS FOR PR120-03



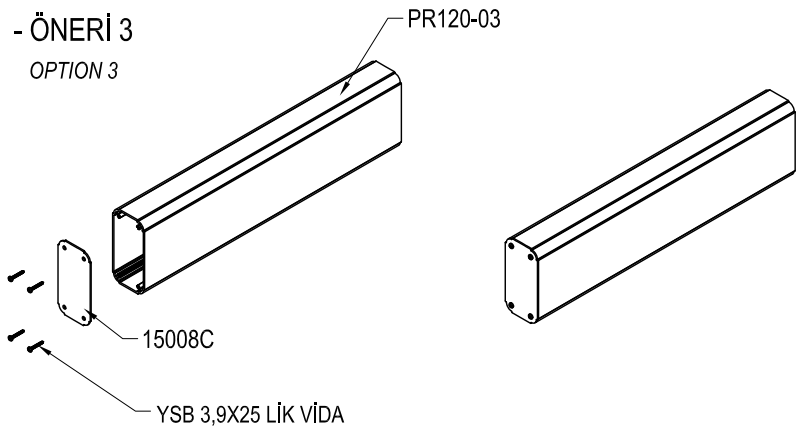
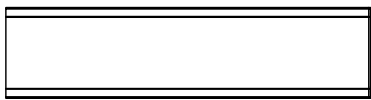
- ÖNERİ 1  
OPTION 1



- ÖNERİ 2  
OPTION 2



- ÖNERİ 3  
OPTION 3





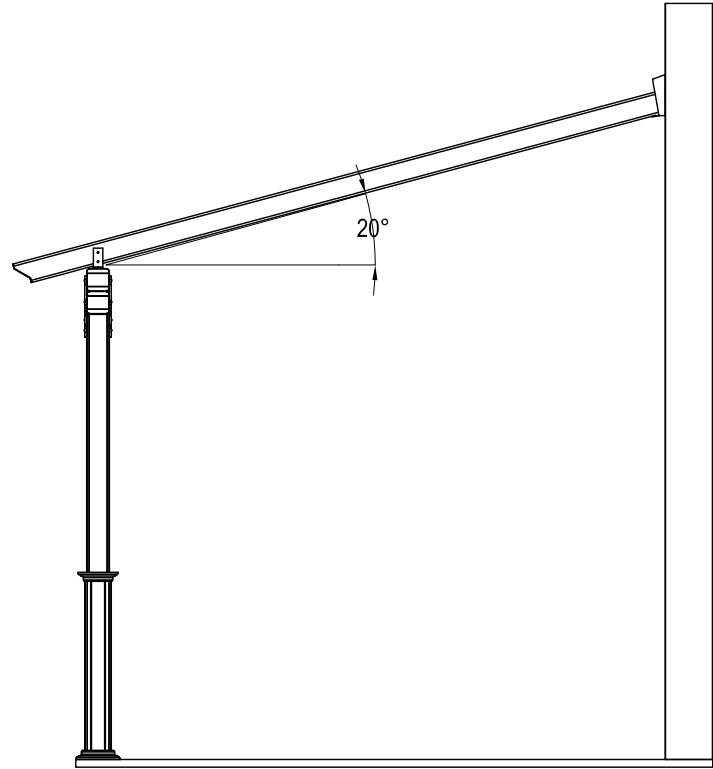
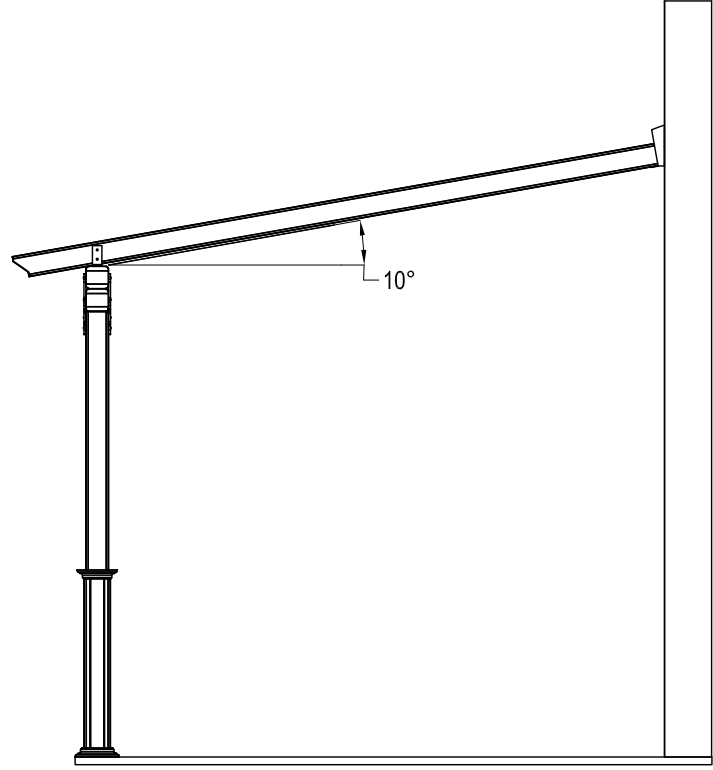
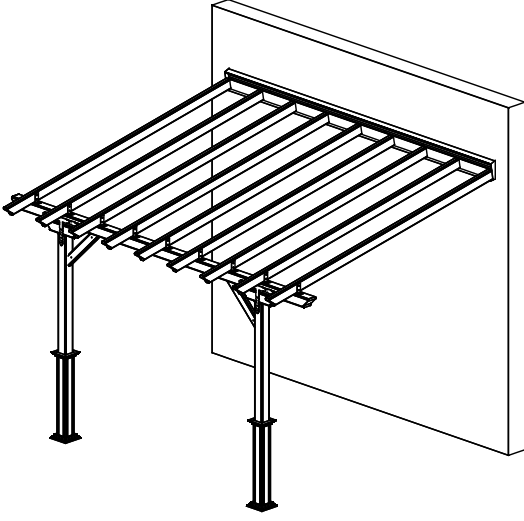
# PR120-PERGOLA SİSTEMİ

PERGOLA SYSTEM



## EĞİMLİ PERGOLA UYGULAMASI

*INCLINED PERGOLA*



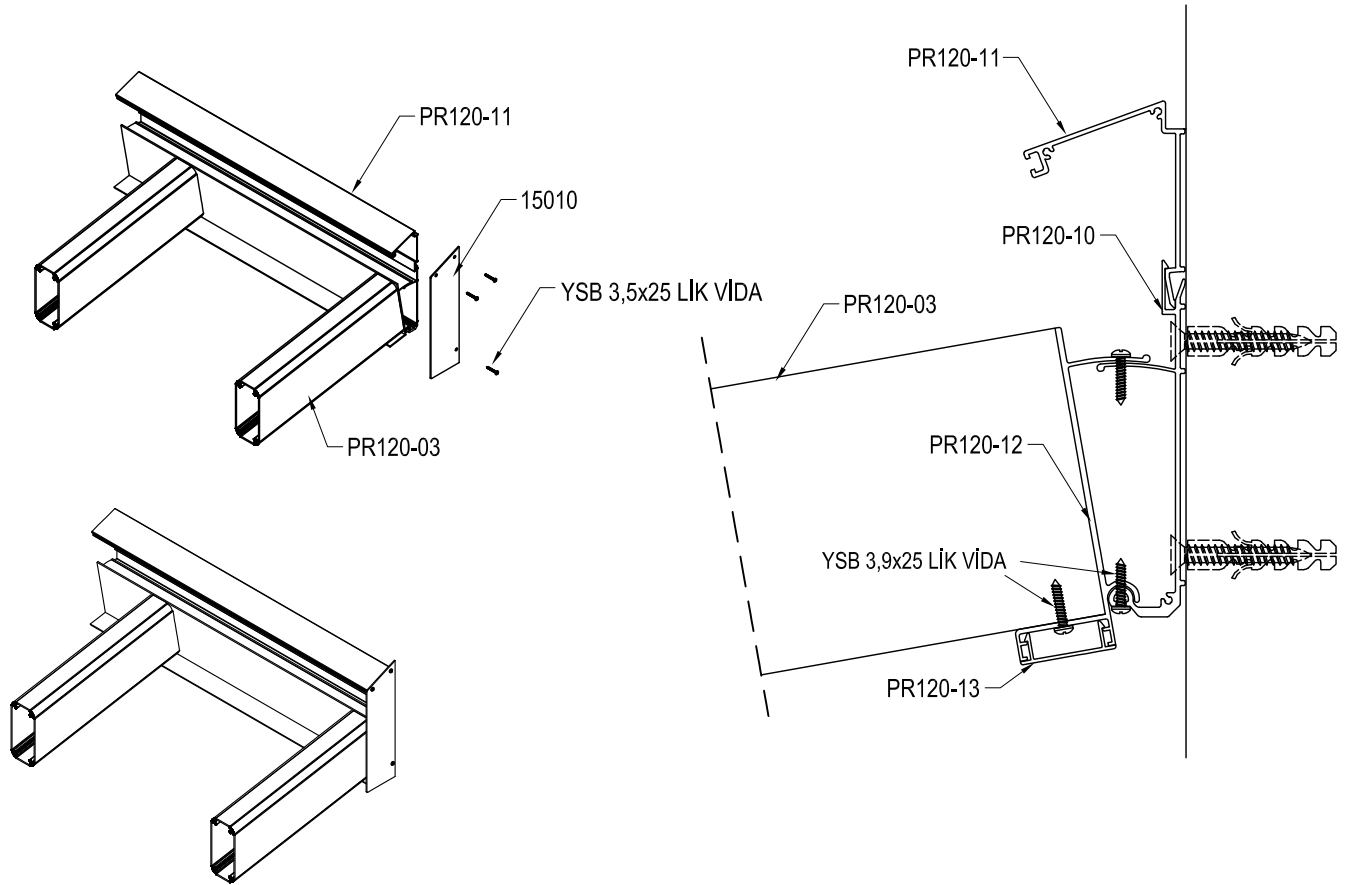
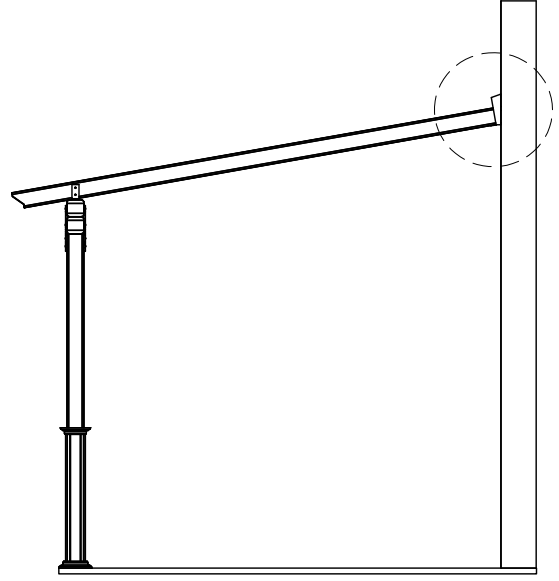
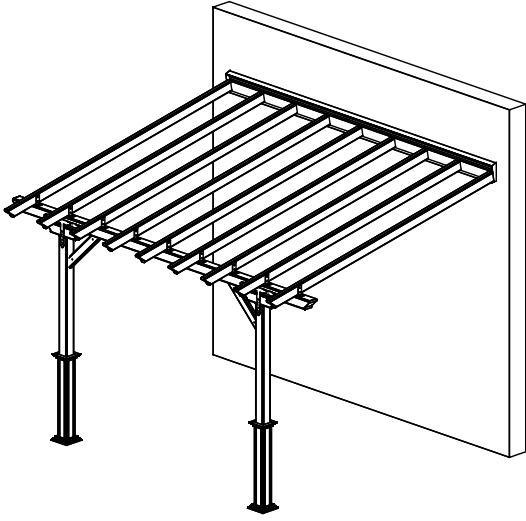
# PR120-PERGOLA SİSTEMİ

PERGOLA SYSTEM



## PERGOLA DUVAR BİTİŞ DETAYI

DETAIL OF FIXING TO THE WALL



# PR120-PERGOLA SİSTEMİ

PERGOLA SYSTEM

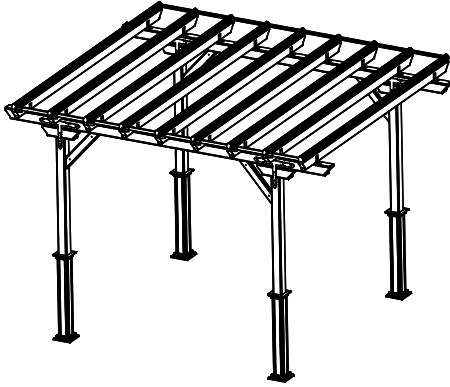


## PERGOLA DA GÖLGELEME SEÇENEKLERİ

SHADING OPTIONS ON THE PERGOLA

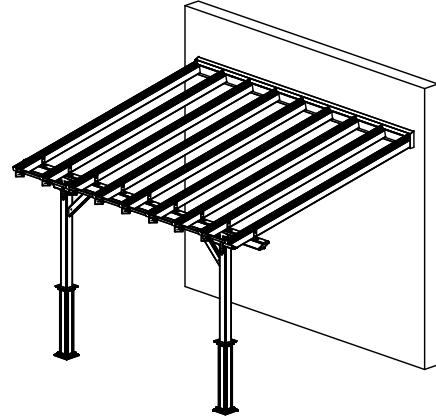
- POLİKARBONAT İLE GÖLGELEME - DÜZ PERGOLA

SHADING WITH POLYCARBONATE - FLAT PERGOLA



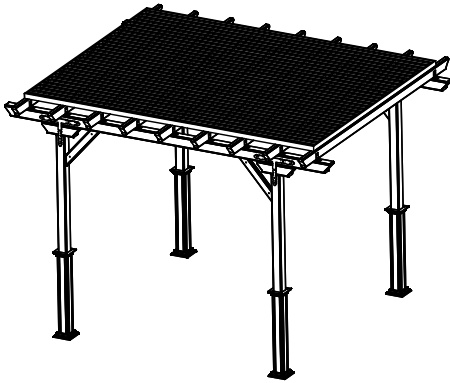
- POLİKARBONAT İLE GÖLGELEME - EĞİMLİ PERGOLA

SHADING WITH POLYCARBONATE - INCLINED PERGOLA



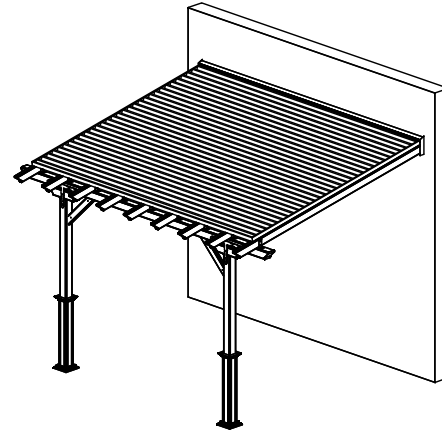
- MENFEZ İLE GÖLGELEME - DÜZ PERGOLA

SHADING WITH LOUVER - FLAT PERGOLA



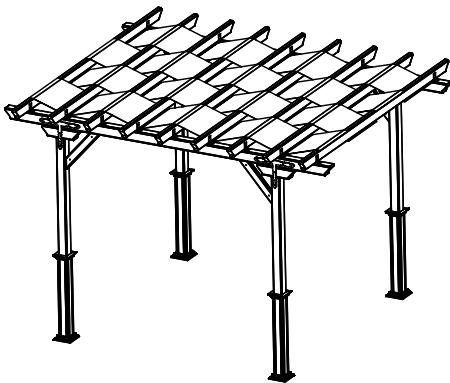
- MENFEZ İLE GÖLGELEME - INCLINED PERGOLA

SHADING WITH LOUVER - INCLINED PERGOLA



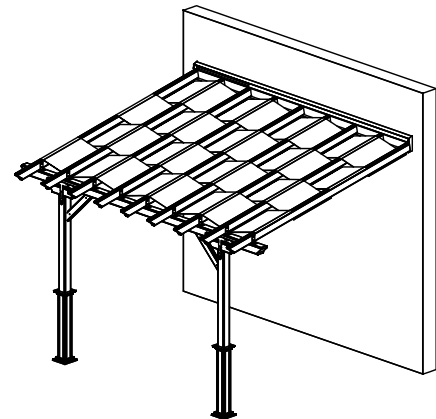
- KUMAŞ İLE GÖLGELEME - DÜZ PERGOLA

SHADING WITH FABRIC - FLAT PERGOLA



- KUMAŞ İLE GÖLGELEME - EĞİMLİ PERGOLA

SHADING WITH FABRIC - INCLINED PERGOLA



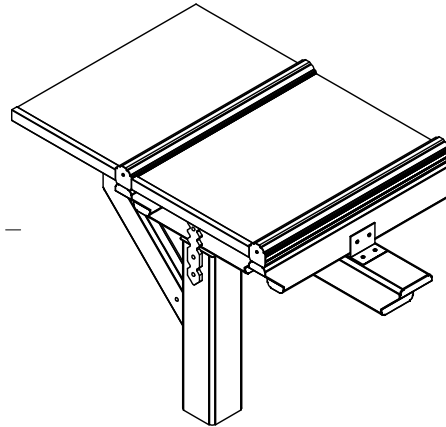
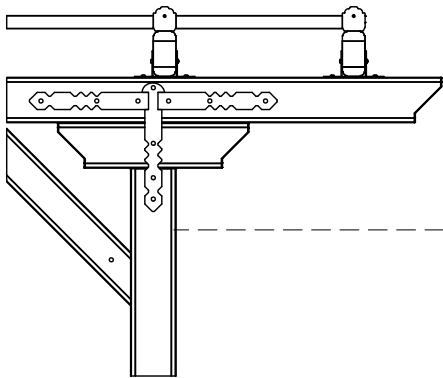
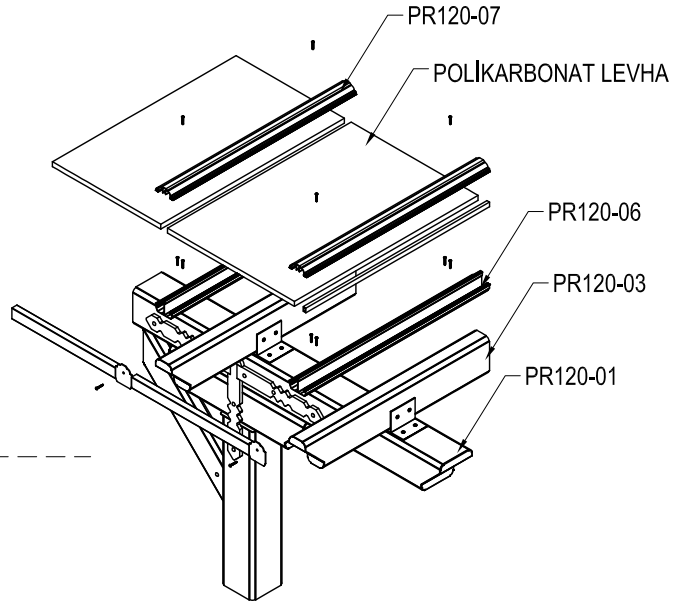
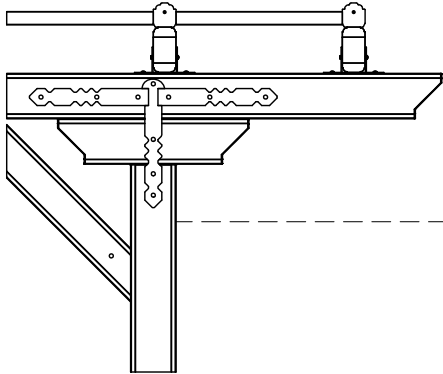
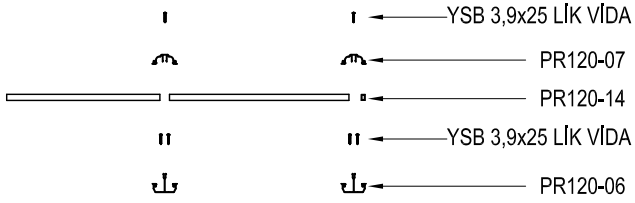
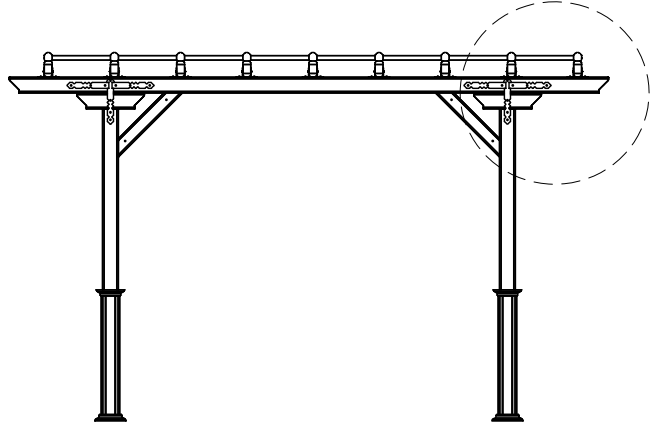
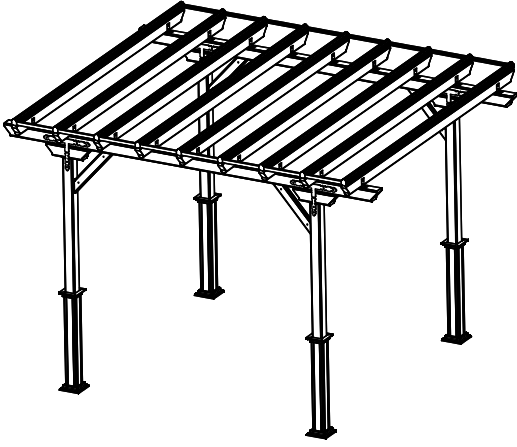
# PR120-PERGOLA SİSTEMİ

PERGOLA SYSTEM



## POLİKARBONAT İLE GÖLGELEME UYGULAMA DETAYLARI

DETAILS OF PERGOLA WITH POLYCARBONATE SHADING



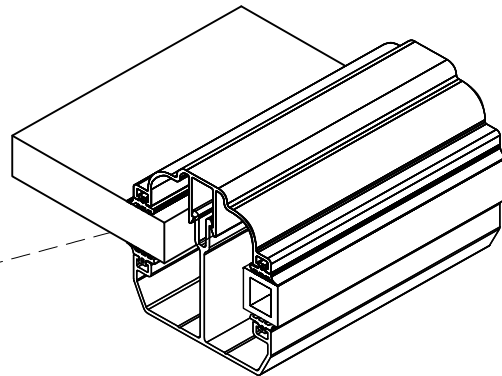
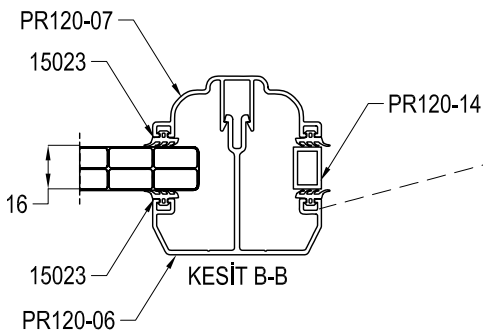
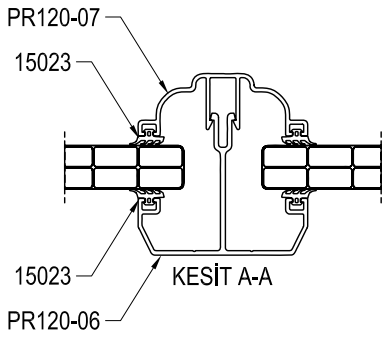
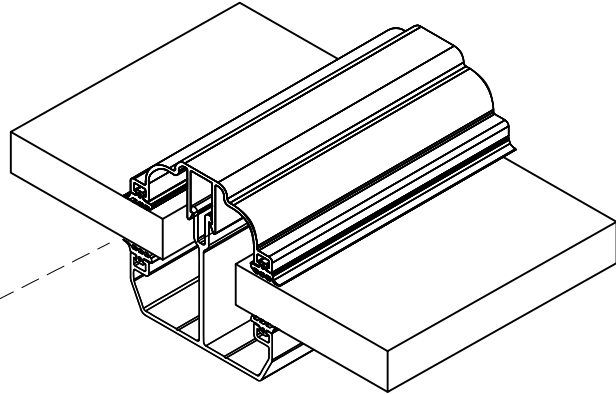
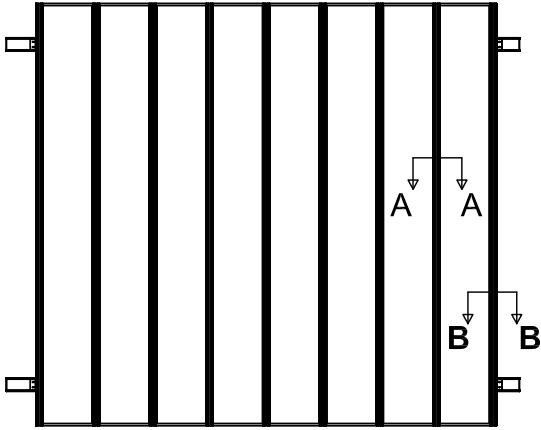
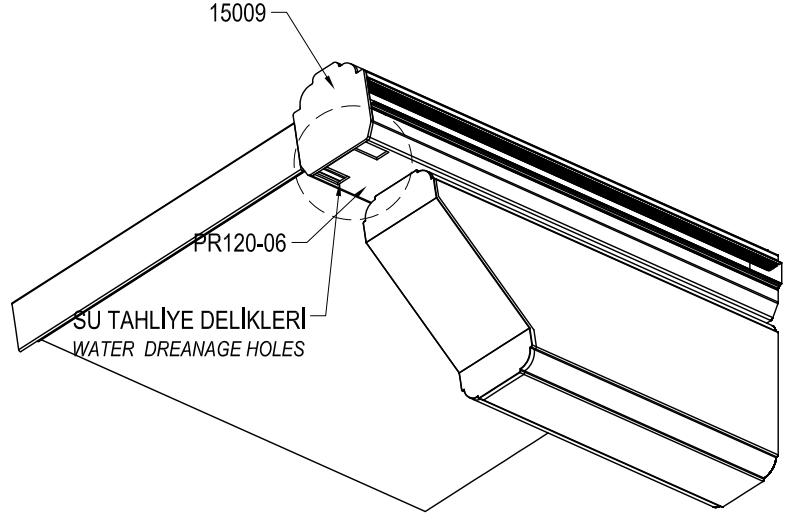
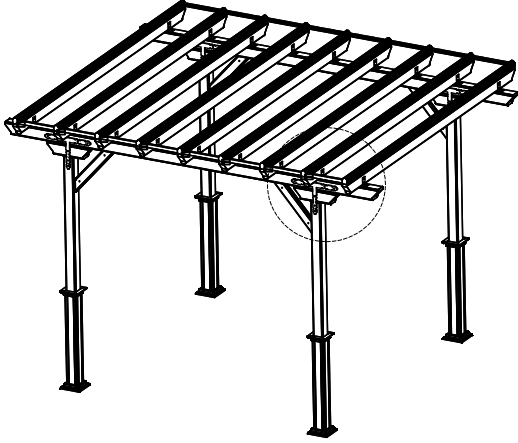
# PR120-PERGOLA SİSTEMİ

PERGOLA SYSTEM



## POLİKARBONAT İLE GÖLGELEME UYGULAMA DETAYLARI

DETAILS OF PERGOLA WITH POLYCARBONATE SHADING



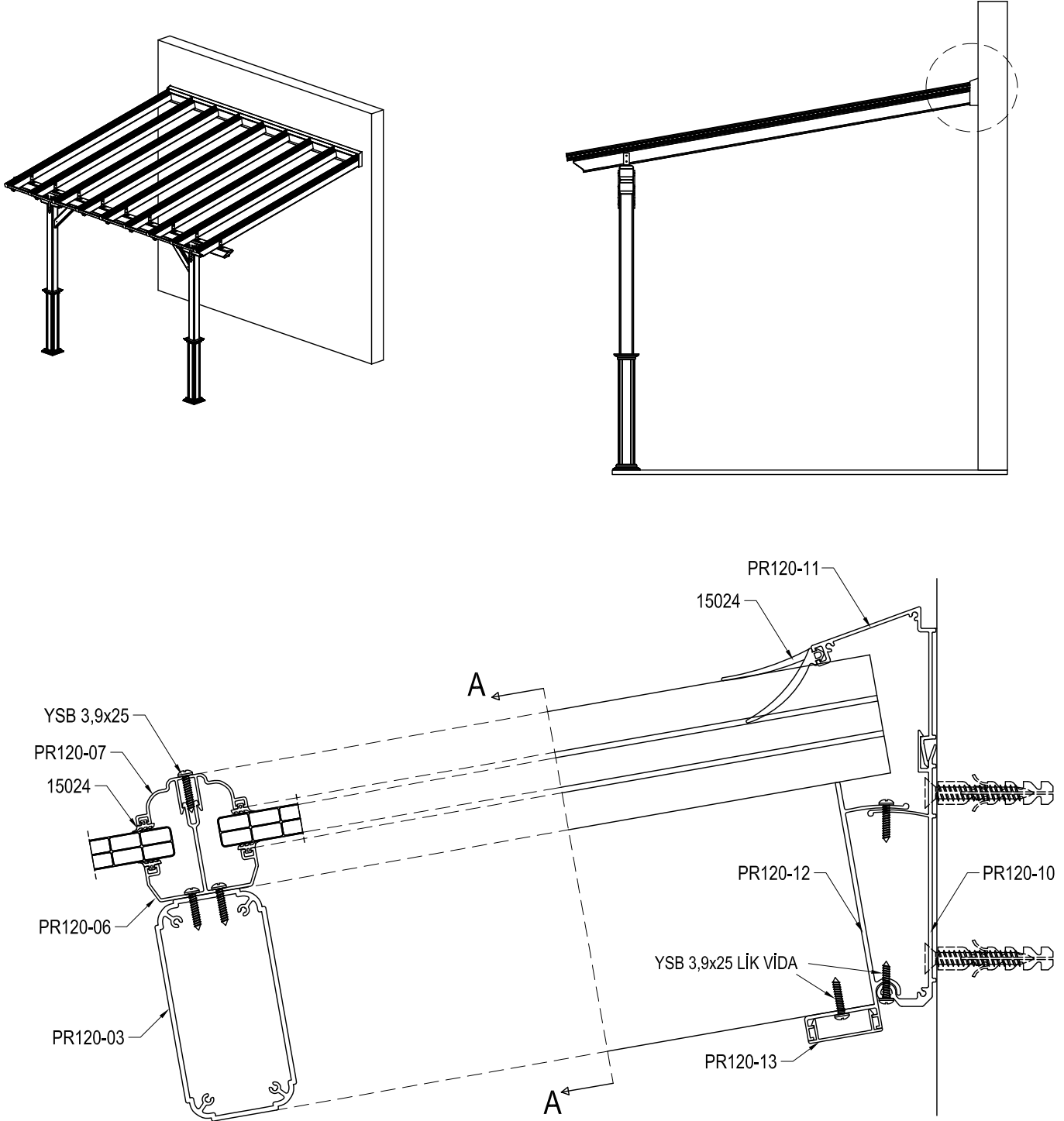
# PR120-PERGOLA SİSTEMİ

PERGOLA SYSTEM



## POLİKARBONAT İLE GÖLGELEME UYGULAMA DETAYLARI

DETAILS OF PERGOLA WITH POLYCARBONATE SHADING



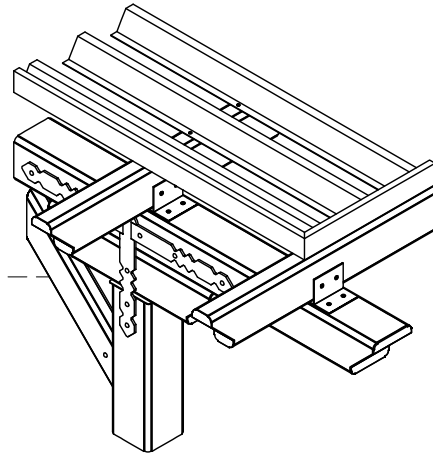
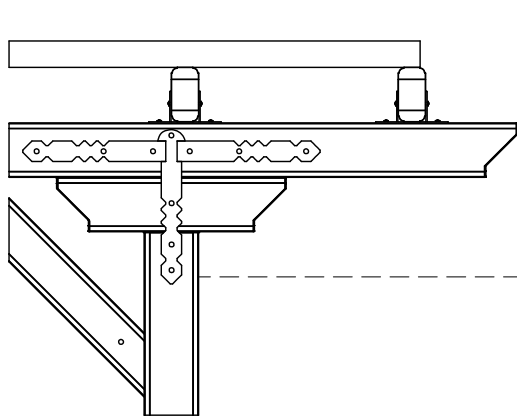
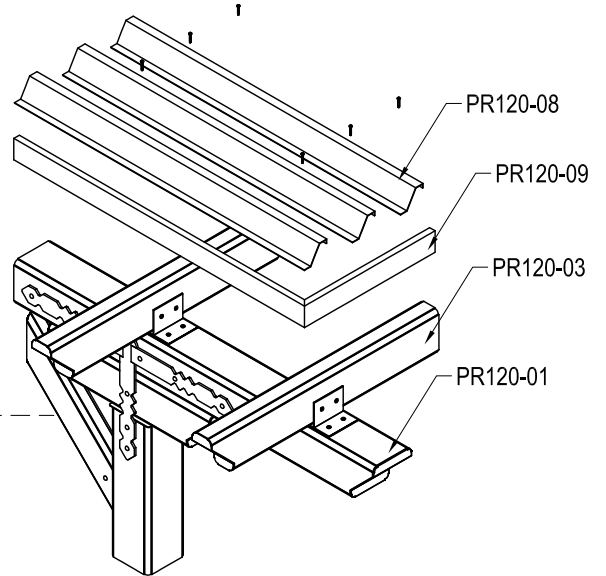
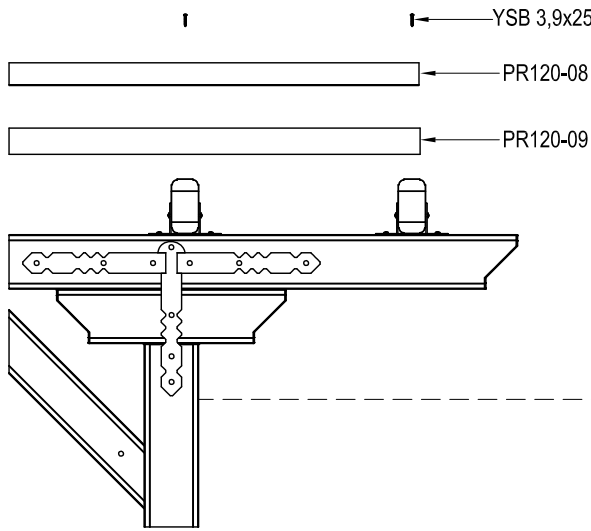
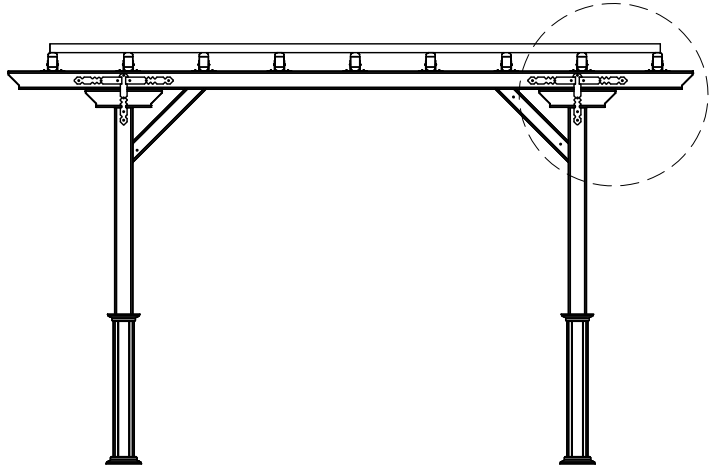
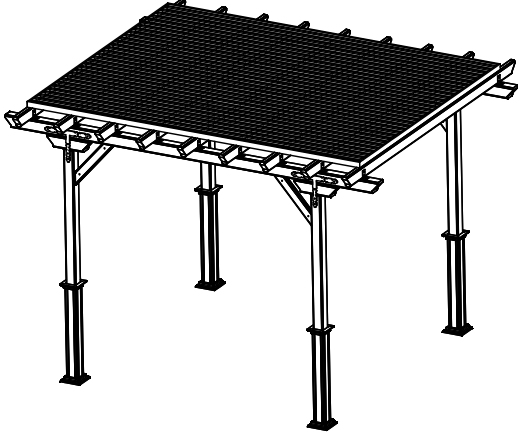
# PR120-PERGOLA SİSTEMİ

PERGOLA SYSTEM



## MENFEZ İLE GÖLGELEME UYGULAMA DETAYLARI

DETAILS OF PERGOLA WITH LOUVER SHADING



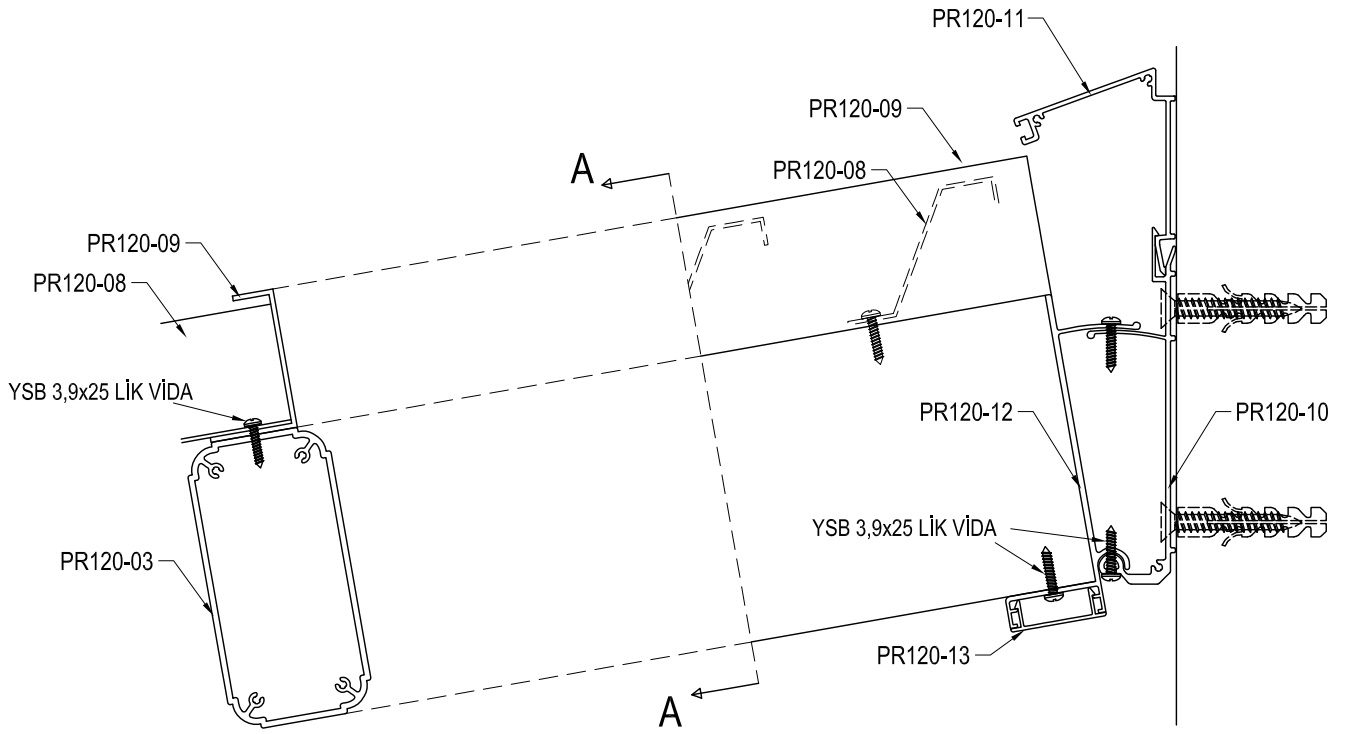
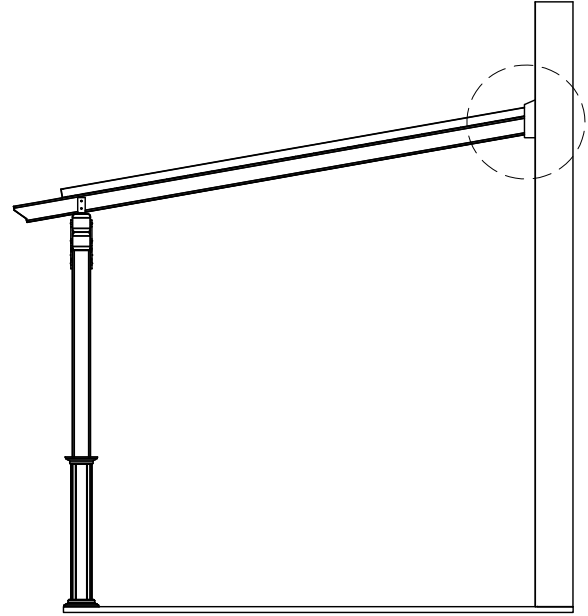
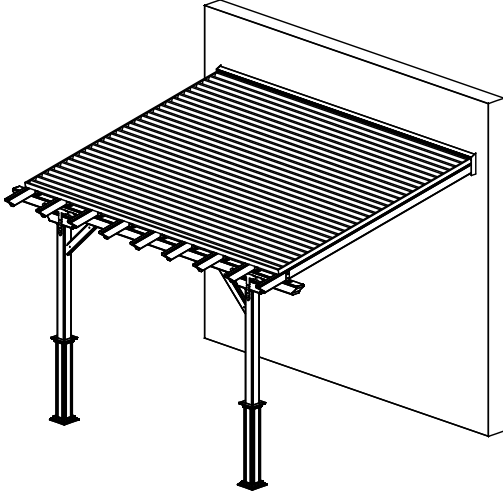
# PR120-PERGOLA SİSTEMİ

PERGOLA SYSTEM



## MENFEZ İLE GÖLGELEME UYGULAMA DETAYLARI

DETAILS OF PERGOLA WITH LOUVER SHADING





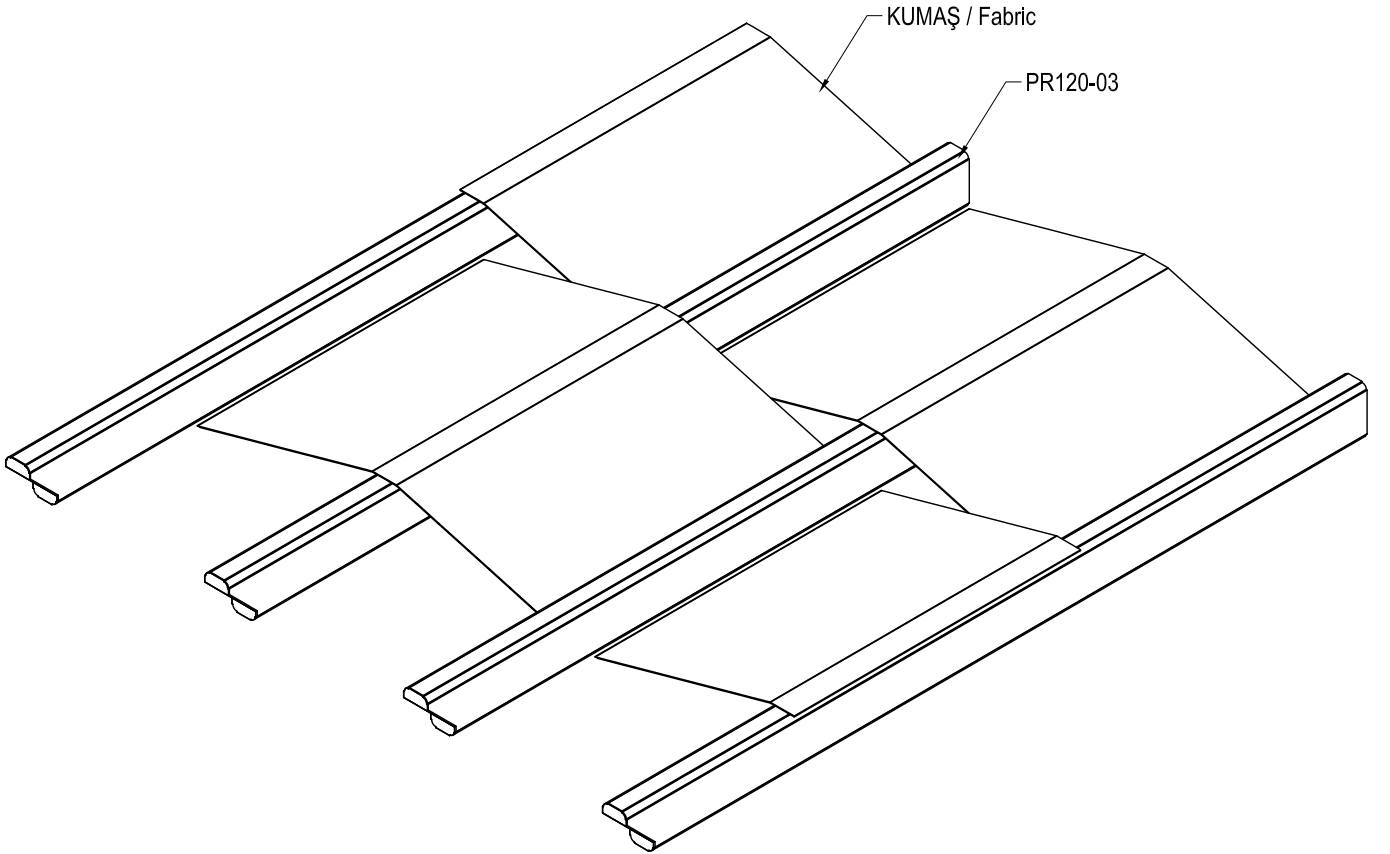
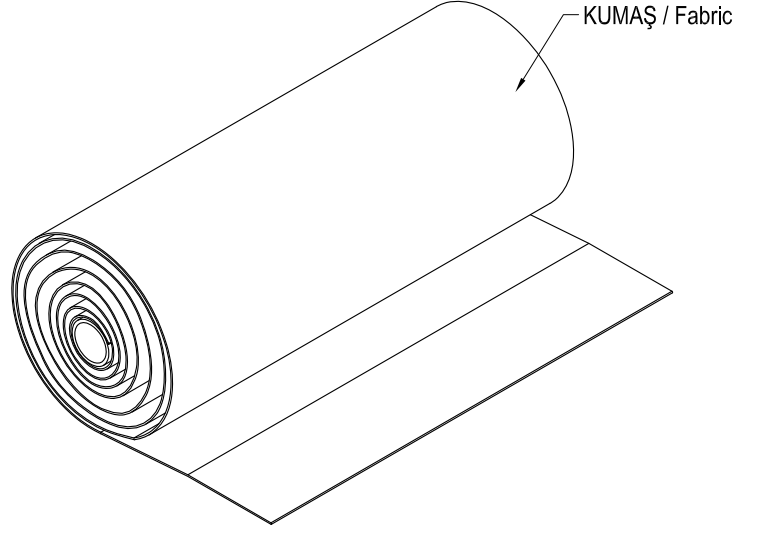
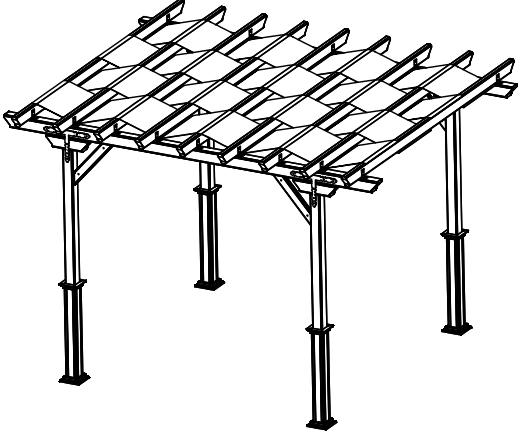
# PR120-PERGOLA SİSTEMİ

PERGOLA SYSTEM



## KUMAŞ İLE GÖLGELEME UYGULAMA DETAYLARI

DETAILS OF PERGOLA WITH FABRIC SHADING



# PR120-PERGOLA SİSTEMİ

PERGOLA SYSTEM



## KUMAŞ İLE GÖLGELEME UYGULAMA DETAYLARI

DETAILS OF PERGOLA WITH FABRIC SHADING

