

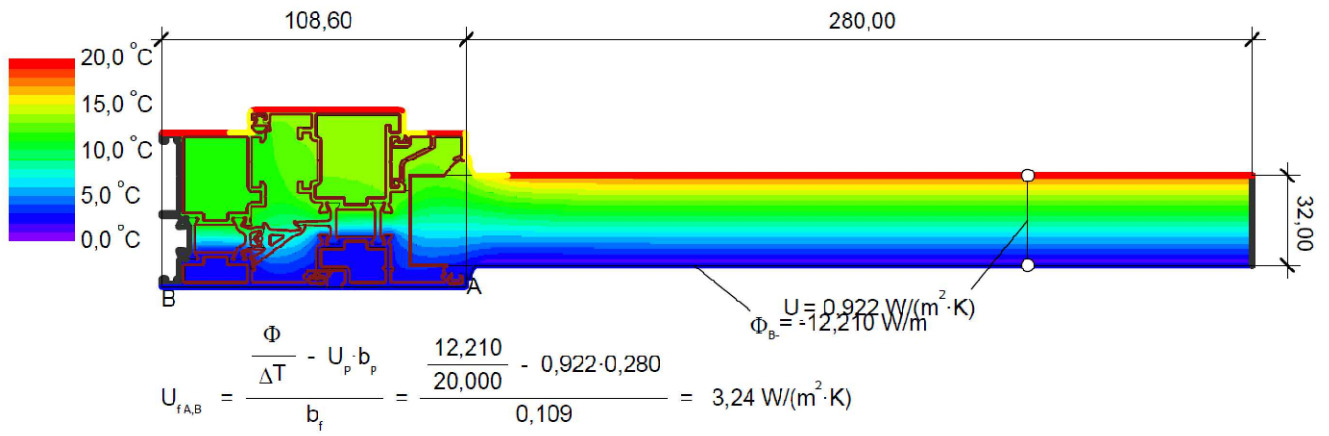
**TM55**

YALITIMLI KAPI-PENCERE SİSTEMİ  
THERMAL WINDOW&DOOR SYSTEM

**ASISTAL**

# TM 55

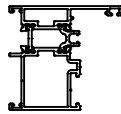
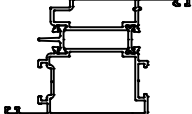
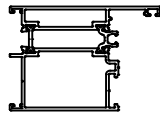
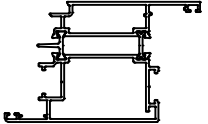
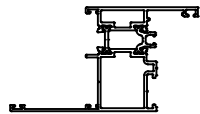
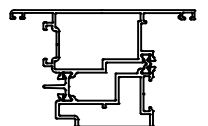
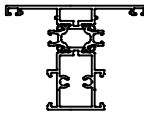
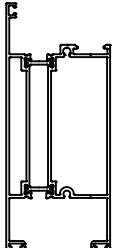
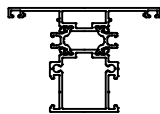

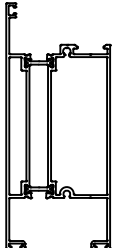
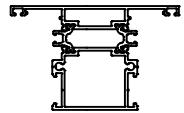
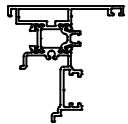
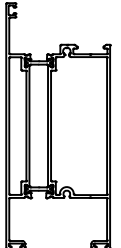
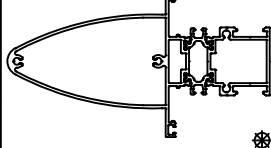
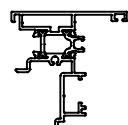
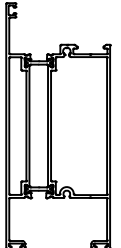
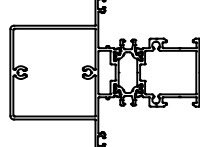
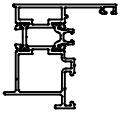
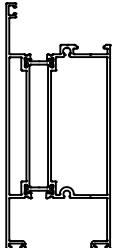
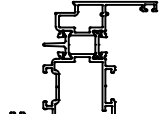
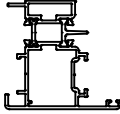
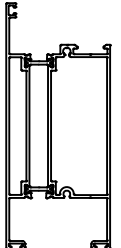
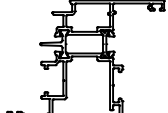
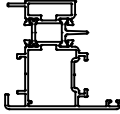
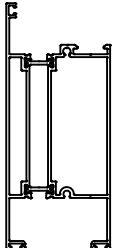
YALITIMLI KAPI-PENCERE SİSTEMİ  
THERMAL WINDOW&DOOR SYSTEM



Uf değeri cam Ug değerine göre değişkenlik gösterir

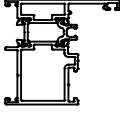
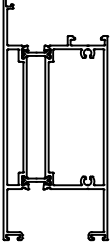
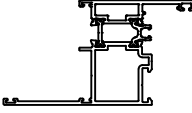
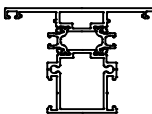
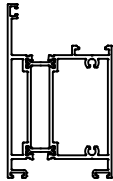
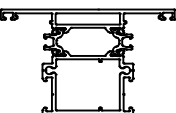
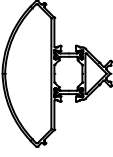
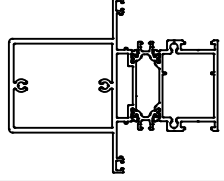
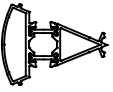
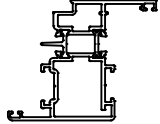
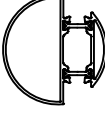
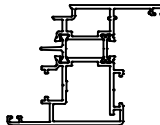
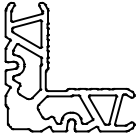
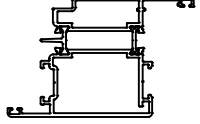
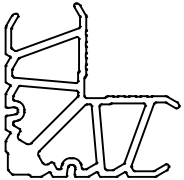
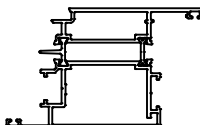

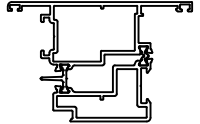

*Uf value can be change according to the glass Ug value*



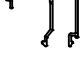



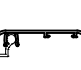




### PROFİL LİSTESİ / 1,6 mm - PROFILES LIST / 1,6 mm

TM55 01	Jx cm <sup>4</sup>	Jy cm <sup>4</sup>		TM55 12	Jx cm <sup>4</sup>	Jy cm <sup>4</sup>	
	16,63	9,65			32,87	35,82	
KASA PROFİLİ-60 mm FRAME PROFILE	AĞIRLIK / Weight			İÇE AÇILIR KAPI KANAT PROFİLİ INNER OPENING DOOR SASH PROFILE	AĞIRLIK / Weight		
	1,300 kg/mt				1,845 kg/mt		
TM55 02	Jx cm <sup>4</sup>	Jy cm <sup>4</sup>		TM55 15	Jx cm <sup>4</sup>	Jy cm <sup>4</sup>	
	21,77	27,58			40,17	46,11	
KASA PROFİLİ-80 mm FRAME PROFILE	AĞIRLIK / Weight			KAPI KANAT PROFİLİ 1,6 mm - MULTI POINT INNER OPENING DOOR SASH PROFILE-MULTI POINT	AĞIRLIK / Weight		
	1,648 kg/mt				1,989 kg/mt		
TM55 03	Jx cm <sup>4</sup>	Jy cm <sup>4</sup>		TM55 14	Jx cm <sup>4</sup>	Jy cm <sup>4</sup>	
	21,75	20,45			33,12	38,17	
PERVAZLI KASA PROFİLİ FRAME PROFILE	AĞIRLIK / Weight			DIŞA AÇILIR KAPI KANAT PROFİLİ OUTWARD OPENING DOOR SASH PROFILE	AĞIRLIK / Weight		
	1,449 kg/mt				2,044 kg/mt		
TM55 22	Jx cm <sup>4</sup>	Jy cm <sup>4</sup>		TM55 31	Jx cm <sup>4</sup>	Jy cm <sup>4</sup>	
	17,83	10,66			130,01	35,76	
ORTA KAYIT PROFİLİ 74 mm TRANSOM-MULLION PROFILE	AĞIRLIK / Weight			ETEK PROFİLİ-130 mm BOTTOM PLATE PROFILE	AĞIRLIK / Weight		
	1,385 kg/mt				2,415 kg/mt		
TM55 21	Jx cm <sup>4</sup>	Jy cm <sup>4</sup>		12-31			
	18,52	15,35					
ORTA KAYIT PROFİLİ 80 mm TRANSOM-MULLION PROFILE	AĞIRLIK / Weight			EŞİK PROFİLİ BOTTOM RAIL PROFILE	AĞIRLIK / Weight		
	1,479 kg/mt				0,763 kg/mt		
TM55 23	Jx cm <sup>4</sup>	Jy cm <sup>4</sup>		TM55 41			
	20,87	23,94					
ORTA KAYIT PROFİLİ 89 mm TRANSOM-MULLION PROFILE	AĞIRLIK / Weight			ÇİFT KANAT ADAPTÖR PROFİLİ DOUBLE SASH ADAPTER PROFILE	AĞIRLIK / Weight		
	1,636 kg/mt				1,197 kg/mt		
TM55 24	Jx cm <sup>4</sup>	Jy cm <sup>4</sup>		TM55 42			
	134,44	25,34					
TAKVİYELİ ORTA KAYIT PROFİLİ SUPPORTED MULLION PROFILE	AĞIRLIK / Weight			ÇİFT KANAT ADAPTÖR PROFİLİ-MULTI POINT DOUBLE SASH ADAPTER PROFILE - MULTI POINT	AĞIRLIK / Weight		
	2,402 kg/mt				1,218 kg/mt		
TM55 25	Jx cm <sup>4</sup>	Jy cm <sup>4</sup>		TM55 43			
	69,72	24,93					
TAKVİYELİ ORTA KAYIT PROFİLİ SUPPORTED MULLION PROFILE	AĞIRLIK / Weight			DIŞA AÇILIR KAPI ADAPTÖR PROFİLİ OUTWARD OPENING DOOR ADAPTER PROFILE	AĞIRLIK / Weight		
	2,194 kg/mt				1,211 kg/mt		
TM55 11	Jx cm <sup>4</sup>	Jy cm <sup>4</sup>		TM55 44			
	26,49	14,04					
KANAT PROFİLİ-45 mm SASH PROFILE	AĞIRLIK / Weight			PİVOT AÇILIM ADAPTÖR PROFİLİ PIVOTING ADAPTER PROFILE	AĞIRLIK / Weight		
	1,508 kg/mt				1,364 kg/mt		
TM55 16	Jx cm <sup>4</sup>	Jy cm <sup>4</sup>					
	35,03	13,36					
1,6 mm -KANAT PROFİLİ MULTI POINT SİSTEM INNER OPENING DOOR SASH PROFILE-MULTI POINT	AĞIRLIK / Weight				AĞIRLIK / Weight		
	1,635 kg/mt						

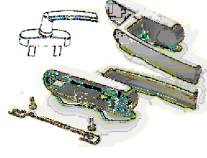




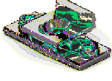
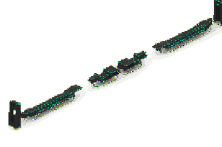
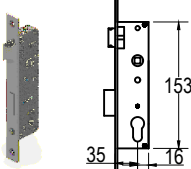

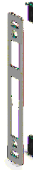
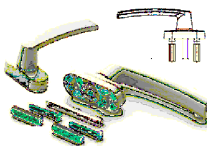
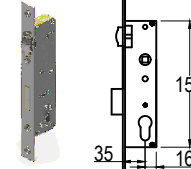


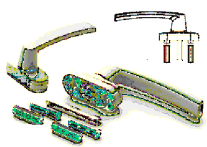
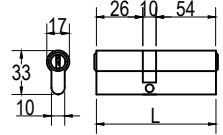



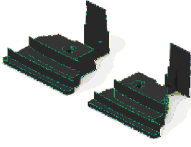
\* Sipariş öncesi kalıp bilgisi kontrol edilmeli / must be check profile mold before the order

Profil ağırlıklarımız teorik olup; teslim anındaki tartımız geçerlidir.

TM55 201	Jx cm <sup>4</sup>	Jy cm <sup>4</sup>		TM55 231	Jx cm <sup>4</sup>	Jy cm <sup>4</sup>	
	20,10	11,53			139,82	38,61	
2 mm - KASA PROFİLİ FRAME PROFILE	AĞIRLIK / Weight			ETEK PROFİLİ-130 mm BOTTOM PLATE PROFILE	AĞIRLIK / Weight		
	1,484 kg/mt				2,817 kg/mt		
TM55 203	Jx cm <sup>4</sup>	Jy cm <sup>4</sup>					
	24,75	22,45					
2 mm - PERVAZLI KASA FRAME PROFILE	AĞIRLIK / Weight						
	1,715 kg/mt						
TM55 221	Jx cm <sup>4</sup>	Jy cm <sup>4</sup>		TM55 232	Jx cm <sup>4</sup>	Jy cm <sup>4</sup>	
	22,00	18,15			50,17	32,41	
2 mm - ORTA KAYIT PROFİLİ - 80 mm TRANSOM-MULLION PROFILE	AĞIRLIK / Weight			ETEK PROFİLİ-92 mm BOTTOM PLATE PROFILE	AĞIRLIK / Weight		
	1,665 kg/mt				2,201 kg/mt		
TM55 222	Jx cm <sup>4</sup>	Jy cm <sup>4</sup>		TM55 51	Jx cm <sup>4</sup>	Jy cm <sup>4</sup>	
	31,17	26,56			10,80	14,75	
2 mm - ORTA KAYIT PROFİLİ - 92 mm TRANSOM-MULLION PROFILE	AĞIRLIK / Weight			90° KÖŞE PROFİLİ CORNER PROFILE	AĞIRLIK / Weight		
	1,901 kg/mt				1,164 kg/mt		
TM55 224	Jx cm <sup>4</sup>	Jy cm <sup>4</sup>		TH55 52	Jx cm <sup>4</sup>	Jy cm <sup>4</sup>	
	127,77	48,52			3,40	8,07	
2 mm - TAKVİYELİ ORTA KAYIT PROFİLİ SUPPORTED MULLION PROFILE	AĞIRLIK / Weight			135° KÖŞE PROFİLİ CORNER PROFILE	AĞIRLIK / Weight		
	3,125 kg/mt				0,927 kg/mt		
TM55 211	Jx cm <sup>4</sup>	Jy cm <sup>4</sup>		TH55 54	Jx cm <sup>4</sup>	Jy cm <sup>4</sup>	
	31,40	16,58			10,94	10,88	
2 mm - KANAT PROFİLİ SASH PROFILE	AĞIRLIK / Weight			EKSENEL DÖNÜŞ PROFİLİ CORNER PROFILE	AĞIRLIK / Weight		
	1,705 kg/mt				1,098 kg/mt		
TM55 214	Jx cm <sup>4</sup>	Jy cm <sup>4</sup>		10-010225-00			
	32,96	20,36					
2 mm - KANAT PROFİLİ MULTI POINT SİSTEM INNER OPENING DOOR SASH PROFILE-MULTI POINT	AĞIRLIK / Weight			KÖŞE TAKOZU-22,5 mm CORNER JOINT	AĞIRLIK / Weight		
	1,803 kg/mt				3,566 kg/mt		
TM55 212	Jx cm <sup>4</sup>	Jy cm <sup>4</sup>		10-010429-00			
	39,69	42,03					
2 mm - İÇE AÇILIR KAPI KANAT PROFİLİ INNER OPENING DOOR SASH PROFILE	AĞIRLIK / Weight			KÖŞE TAKOZU-42,7 mm CORNER JOINT	AĞIRLIK / Weight		
	2,098 kg/mt				5,483 kg/mt		
TM55 215	Jx cm <sup>4</sup>	Jy cm <sup>4</sup>		12-91			
	41,17	48,91					
KAPI KANAT PROFİLİ 2 mm - MULTI POINT INNER OPENING DOOR SASH PROFILE-MULTI POINT	AĞIRLIK / Weight			DİK BAĞLANTI T JOINT	AĞIRLIK / Weight		
	2,195 kg/mt				0,794 kg/mt		
TM55 213				04-025025-12			
				KASA T 'Si - 30 mm FRAME BORDER		0,159 kg/mt	

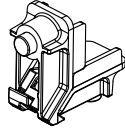
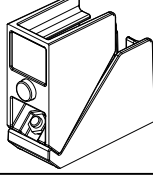
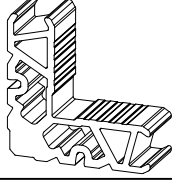
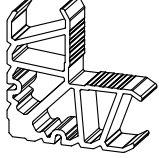
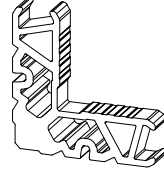
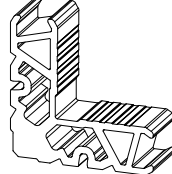
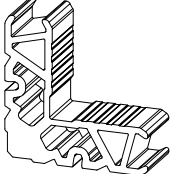
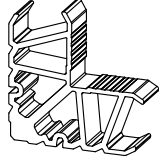
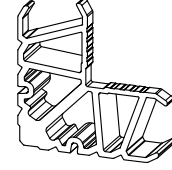
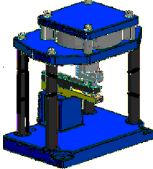
11-004			11-032		
CAM ÇİTASI-4 mm GLAZING BEAD PROFILE	AĞIRLIK / Weight 0,181 kg/mt		CAM ÇİTASI-32 mm GLAZING BEAD PROFILE	AĞIRLIK / Weight 0,315 kg/mt	
11-006			11-035		
CAM ÇİTASI-6 mm GLAZING BEAD PROFILE	AĞIRLIK / Weight 0,218 kg/mt		CAM ÇİTASI-35 mm GLAZING BEAD PROFILE	AĞIRLIK / Weight 0,323 kg/mt	
11-010			11-038		
CAM ÇİTASI-10 mm GLAZING BEAD PROFILE	AĞIRLIK / Weight 0,233 kg/mt		CAM ÇİTASI-38 mm GLAZING BEAD PROFILE	AĞIRLIK / Weight 0,334 kg/mt	
11-015			12-01		
CAM ÇİTASI-15 mm GLAZING BEAD PROFILE	AĞIRLIK / Weight 0,241 kg/mt		DAMLALIK PROFİLİ RAINDROP PROFILE	AĞIRLIK / Weight 0,198 kg/mt	
11-017			12-02		
CAM ÇİTASI-17 mm GLAZING BEAD PROFILE	AĞIRLIK / Weight 0,250 kg/mt		DAMLALIK PROFİLİ RAINDROP PROFILE	AĞIRLIK / Weight 0,136 kg/mt	
11-020			12-03		
CAM ÇİTASI-20 mm GLAZING BEAD PROFILE	AĞIRLIK / Weight 0,276 kg/mt		DAMLALIK PROFİLİ RAINDROP PROFILE	AĞIRLIK / Weight 0,313 kg/mt	
11-022			12-52		
CAM ÇİTASI-22 mm GLAZING BEAD PROFILE	AĞIRLIK / Weight 0,282 kg/mt		PERVAZ PROFİLİ BORDER PROFILE	AĞIRLIK / Weight 0,279 kg/mt	
11-026			12-53		
CAM ÇİTASI-26 mm GLAZING BEAD PROFILE	AĞIRLIK / Weight 0,296 kg/mt		PERVAZ MONTAJ PROFİLİ BORDER FIXING PROFILE	AĞIRLIK / Weight 0,177 kg/mt	
11-028			12-54		
CAM ÇİTASI-28 mm GLAZING BEAD PROFILE	AĞIRLIK / Weight 0,302 kg/mt		PERVAZ PROFİLİ BORDER PROFILE	AĞIRLIK / Weight 0,326 kg/mt	
11-030			12-41		
CAM ÇİTASI-30 mm GLAZING BEAD PROFILE	AĞIRLIK / Weight 0,308 kg/mt		TİJ PROFİLİ SASH PROFILE	AĞIRLIK / Weight 0,118 kg/mt	

EP1-01			ASI-H 9733		
DIŞ CAM FİTİLİ - 2,5 mm OUTER GLAZING GASKET	KOLİ MİKTARI/Package 240 mt / 15 kg		SİSTEM ÜÇLÜ MENTEŞE TRIPLE SYSTEM HINGE	KOLİ MİKTARI/Package 250 Adet / Piece	
KC 02			ASI-H 3300		
CAM FİTİLİ - 2 mm GLAZING GASKET	KOLİ MİKTARI/Package 100 mt / 4,5 kg		SİSTEM KAPI MENTEŞESİ SYSTEM DOOR HINGE	KOLİ MİKTARI/Package Adet / Piece	
EP2-01			ASI-V 820		
İÇ CAM FİTİLİ - 3 mm INNER GLAZING GASKET	KOLİ MİKTARI/Package 440 mt / 15 kg		VASİSTAS AÇILIM KOLU TRANSOM OPENING HANDLE	KOLİ MİKTARI/Package 30 Adet / Piece	
EP2-02			ASI-V 816		
İÇ CAM FİTİLİ - 4 mm INNER GLAZING GASKET	KOLİ MİKTARI/Package 300 mt / 15 kg		VASİSTAS AÇILIM KOLU TRANSOM OPENING HANDLE	KOLİ MİKTARI/Package 50 Adet / Piece	
EP4-08			ASI-V 1000		
ORTA BİNİ FİTİLİ GASKET FOR OPEN JOINT	KOLİ MİKTARI/Package 130 mt / 15 kg		VASİSTAS MAKAS (PVC) TRANSOM RESTRICTER	KOLİ MİKTARI/Package 120 Adet / Piece	
EP3-03			ASI-V 1080		
KANAT BİNİ FİTİLİ SASH GASKET	KOLİ MİKTARI/Package 430 mt / 15 kg		VASİSTAS MAKAS TRANSOM RESTRICTER	KOLİ MİKTARI/Package 60 Adet / Piece	
EP3-02			ASI-V 1275-3		
KASA BİNİ FİTİLİ FRAME GASKET	KOLİ MİKTARI/Package 750 mt / 15 kg		VASİSTAS 3 KADEMELİ ÇELİK MAKAS TRANSOM RESTRICTER WITH 3 POSITIONS	KOLİ MİKTARI/Package 10 Adet / Piece	
KF 67-1000			ASI-V 1275-5		
FİRÇA FİTİL BRUSH GASKET	KOLİ MİKTARI/Package 600 mt		VASİSTAS 5 KADEMELİ ÇELİK MAKAS TRANSOM RESTRICTER WITH 5 POSITIONS	KOLİ MİKTARI/Package 10 Adet / Piece	
ASI-PVM 002F			ASI-V 0148		
PİVOT MENTEŞE PIVOTING HINGE	KOLİ MİKTARI/Package Adet / Piece		VASİSTAS ÇELİK MAKAS TRANSOM STEEL RESTRICTER	KOLİ MİKTARI/Package 100 Adet / Piece	
ASI-H 9730			ASI-WH 003		
SİSTEM İKİLİ MENTEŞE DOUBLE SYSTEM HINGE	KOLİ MİKTARI/Package 250 Adet / Piece		TEK DİLLİ EKSENEL KOL WINDOW HANDLE	KOLİ MİKTARI/Package Adet / Piece	

<b>ASI-WH 004</b>			<b>ASI-DH 40KB</b>		
ÇİFT DİLLİ EKSENEL KOL WINDOW HANDLE	KOLİ MİKTARI/Package Adet / Piece		ÇEKME KAPI KOLU DOOR HANDLE	KOLİ MİKTARI/Package Adet / Piece	
<b>ASI-WH 004A</b>			<b>ASI-RP 001</b>		
ÇİFT DİLLİ EKSENEL KOL - ANAHTARLI WINDOW HANDLE WITH LOCK	KOLİ MİKTARI/Package Adet / Piece		TİJ PİMİ ROD PROFILE LOCKING	KOLİ MİKTARI/Package Adet / Piece	
<b>ASI-KA M108</b>			<b>ASI-RS 001</b>		
EKSENEL KOL KİLİTLEME MEKANİZMASI LOCKING FOR WINDOW	KOLİ MİKTARI/Package Adet / Piece		PİM KARŞILIĞI ROD PROFILE STRIKES	KOLİ MİKTARI/Package 120 Adet / Piece	
<b>ASI-KA P200</b>			<b>ASI-153 35</b>		
EKSENEL KOL KİLİTLEME MEKANİZMASI LOCKING FOR WINDOW	KOLİ MİKTARI/Package Adet / Piece		DİLLİ KİLİT MOURTISE LOCK WITH CYLINDER	KOLİ MİKTARI/Package Adet / Piece	
<b>ASI-KA VNT</b>			<b>ASI-LS 90185D</b>		
KANAT SABİTLEME SASH FIXING	KOLİ MİKTARI/Package Adet / Piece		DİLLİ KİLİT KARŞILIĞI LOCK STRIKES	KOLİ MİKTARI/Package Adet / Piece	
<b>ASI-WH 001</b>			<b>ASI-155 35</b>		
KARE MİLLİ PENCERE KOLU WINDOW HANDLE	KOLİ MİKTARI/Package Adet / Piece		MAKARALI KİLİT MOURTISE LOCK WITH ROLLER	KOLİ MİKTARI/Package Adet / Piece	
<b>ASI-WH 001A</b>			<b>ASI-LS 90185M</b>		
KARE MİLLİ PENCERE KOLU-ANAHTARLI WINDOW HANDLE WITH LOCK	KOLİ MİKTARI/Package Adet / Piece		MAKARALI KİLİT KARŞILIĞI ROLLER LOCK STRIKES	KOLİ MİKTARI/Package Adet / Piece	
<b>ASI-WH 001B</b>			<b>ASI-BRL 90</b>		
KARE MİLLİ PENCERE KOLU - İKİLİ TAKIM WINDOW HANDLE WITH LOCK	KOLİ MİKTARI/Package Takım / Set		90 LİK BAREL CYLINDER 90	KOLİ MİKTARI/Package Adet / Piece	
<b>ASI-DH 002</b>			<b>ASI-225</b>		
KAPI KOLU DOOR HANDLE	KOLİ MİKTARI/Package Adet / Piece		BAREL AYNASI (Beyaz,Siyah,Gri) DOOR HANDLE CYLINDER (White,Black,Grey)	KOLİ MİKTARI/Package Adet / Piece	
<b>ASI-DH 60Y</b>			<b>TM55 HOK</b>		
ÇEKME KAPI KOLU DOOR HANDLE	KOLİ MİKTARI/Package Adet / Piece		ADAPTÖR KAPAĞI ADAPTER COVER	KOLİ MİKTARI/Package alt-üst 1 takım	

<b>ASI-B 2217</b>			<b>ASI-FUJI 2000</b>		
SÜRGÜ KİLİTLEME-KISA SASH FIXING LOCK-SHORT	KOLİ MİKTARI/Package 240 Adet / Piece		AYARLI KÖŞE GÖNYESİ CORNER ALIGNMENT	KOLİ MİKTARI/Package Adet / Piece	
<b>ASI-B 2215</b>			<b>ASI-SB 19</b>		
SÜRGÜ KİLİTLEME-UZUN SASH FIXING LOCK-LONG	KOLİ MİKTARI/Package 120 Adet / Piece		KÖŞE GÖNYESİ CORNER ALIGNMENT	KOLİ MİKTARI/Package 1000 Adet / Piece	
<b>ASI-WDC 01</b>			<b>ASI-FUJI 2500</b>		
YAĞMUR TAHLİYE KAPAĞI WATER REJECT COVER	KOLİ MİKTARI/Package Adet / Piece		AYARLI ORTA KAYIT BAĞLANTI T JOINT CONNECTION	KOLİ MİKTARI/Package Adet / Piece	
<b>ASI-SS 01</b>			<b>ASI-FUJI 2700</b>		
KANAT DESTEK TAKOZU SASH SUPPORT BOTTOM	KOLİ MİKTARI/Package Takım / Set		AYARLI ORTA KAYIT BAĞLANTI T JOINT CONNECTION	KOLİ MİKTARI/Package Adet / Piece	
<b>SG50-55-01</b>			<b>ASI-P 100.1</b>		
KANAT CAM TAKOZU GLASS SUPPORT FOR SASH	KOLİ MİKTARI/Package Adet / Piece		ORTA KAYIT BAĞLANTI T JOINT	KOLİ MİKTARI/Package 250 Adet / Piece	
<b>SG50-55-02</b>			<b>ASI-DB 9132</b>		
KASA CAM TAKOZU GLASS SUPPORT FOR FRAME	KOLİ MİKTARI/Package Adet / Piece		DİK BAĞLANTI T JOINT	KOLİ MİKTARI/Package Adet / Piece	
<b>ASI-ALU TT</b>			<b>ASI-DB 9123</b>		
ÇİFT EKSEN AÇILIM MEKANİZMASI TILT&TURN OPENING	KOLİ MİKTARI/Package Takım / Set		DİK BAĞLANTI T JOINT	KOLİ MİKTARI/Package Adet / Piece	
<b>ASI-LTT K01</b>			<b>ASI-DB 9172</b>		
ÇİFT KANAT AÇILIM PASİF KANAT LEVYE KOL INACTIVE SASH HIDDEN HANDLE	KOLİ MİKTARI/Package Takım / Set		DİK BAĞLANTI T JOINT	KOLİ MİKTARI/Package	
<b>ASI-PVC TT</b>			<b>ASI-F 100A</b>		
ÇİFT EKSEN AÇILIM MEKANİZMASI TILT&TURN OPENING	KOLİ MİKTARI/Package Takım / Set		KAPI ALTI FIRÇASI DOOR BRUSH GASKET	KOLİ MİKTARI/Package Adet / Piece	
<b>ASI-MEK VW</b>			<b>ASI-LTT K01</b>		
PARALEL SÜRME MEKANİZMASI TILT&SLIDE OPENING	KOLİ MİKTARI/Package Takım / Set		ÇİFT KANAT AÇILIM PASİF KANAT LEVYE KOL INACTIVE SASH HIDDEN HANDLE	KOLİ MİKTARI/Package Takım / Set	



<b>ASI-PB 2326</b>				
PİMLİ KÖŞE BAĞLANTI CORNER JOINT	KOLİ MİKTARI/Package 200 Adet / Piece			
<b>ASI-PB 2650</b>				
PİMLİ KÖŞE BAĞLANTI CORNER JOINT	KOLİ MİKTARI/Package 150 Adet / Piece			
<b>ASI-KT 2660</b>				
KÖŞE TAKOZU CORNER JOINT	KOLİ MİKTARI/Package Adet / Piece			
<b>ASI-KT 2650</b>				
KÖŞE TAKOZU CORNER JOINT	KOLİ MİKTARI/Package Adet / Piece			
<b>ASI-KT 2305</b>				
KÖŞE TAKOZU CORNER JOINT	KOLİ MİKTARI/Package Adet / Piece			
<b>ASI-KT 2319</b>				
KÖŞE TAKOZU CORNER JOINT	KOLİ MİKTARI/Package Adet / Piece			
<b>ASI-KT 2329</b>				
KÖŞE TAKOZU CORNER JOINT	KOLİ MİKTARI/Package Adet / Piece			
<b>ASI-KT 4329</b>				
KÖŞE TAKOZU CORNER JOINT	KOLİ MİKTARI/Package Adet / Piece			
<b>ASI-KT 4305</b>				
KÖŞE TAKOZU CORNER JOINT	KOLİ MİKTARI/Package Adet / Piece			
<b>501 EKO PANÇ</b>				
KÖŞE PİMLİ BAĞLANTI PANÇ MAKİNESİ PUNCH MACHINE FOR CORNER JOINT WITH PIN	KOLİ MİKTARI/Package Adet / Piece			

**TM55**

YALITIMLI KAPI-PENCERE SİSTEMİ  
THERMAL WINDOW&DOOR SYSTEM

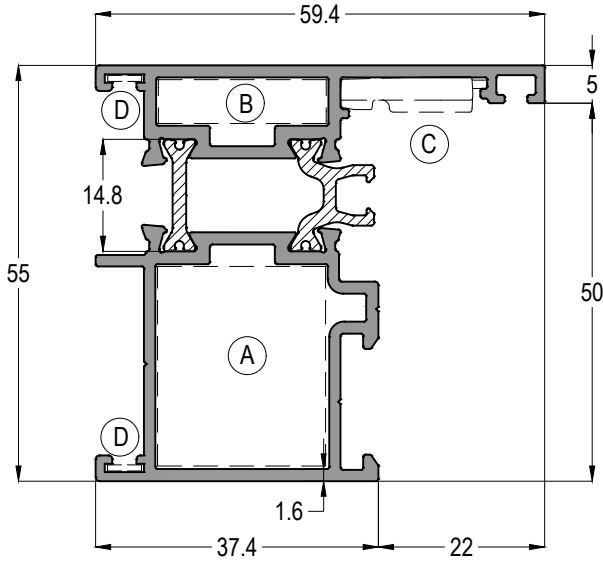
**ASISTAL**

PROFİL DETAYLARI  
*PROFILE DETAILS*

# TM55

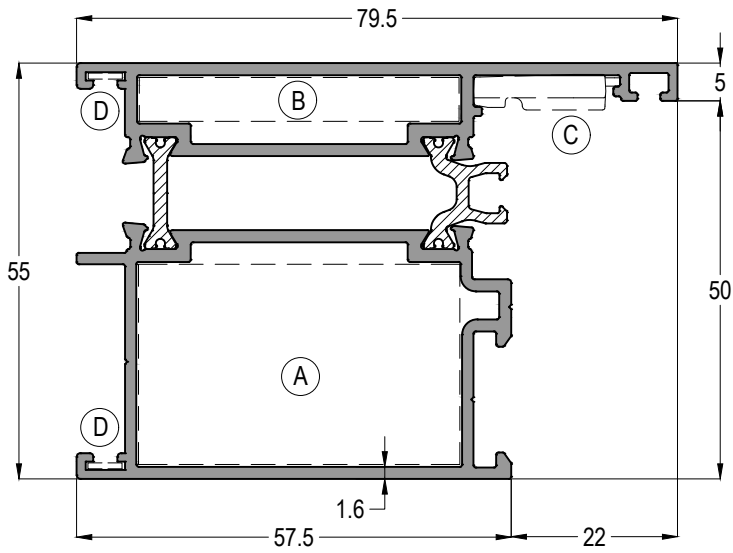
YALITIMSLI KAPI-PENCERE SİSTEMİ  
THERMAL WINDOW&DOOR SYSTEM

## ASISTAL



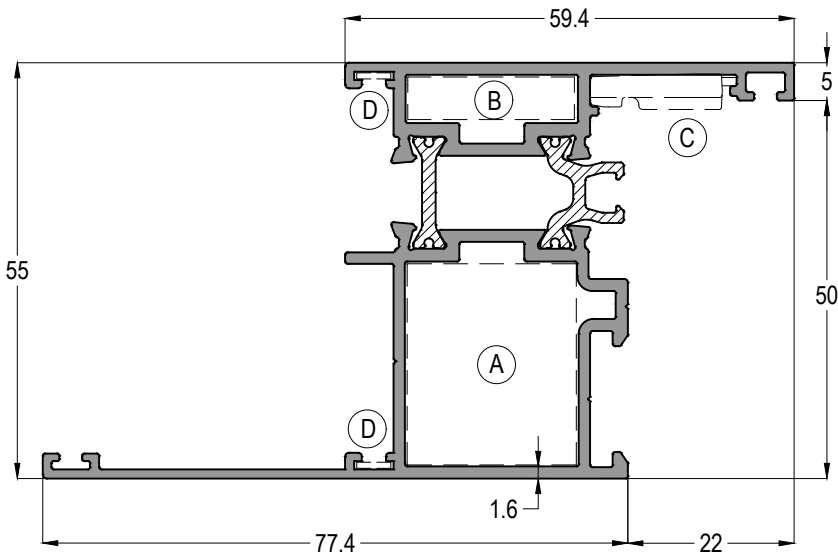
TM55 01				Jx cm <sup>4</sup>	Jy cm <sup>4</sup>
				16,63	9,65
AĞIRLIK / Weight					
1,300 kg/mt					

A	B	C	D
ASI-KT 2660-ASI-PB 2326	ASI-KT 2305	ASI-FUJI 2000	ASI-SB 19



TM55 02				Jx cm <sup>4</sup>	Jy cm <sup>4</sup>
				21,77	27,58
AĞIRLIK / Weight					
1,648 kg/mt					

A	B	C	D
ASI-KT 2650-ASI-PB 2650	ASI-KT 4305	ASI-FUJI 2000	ASI-SB 19

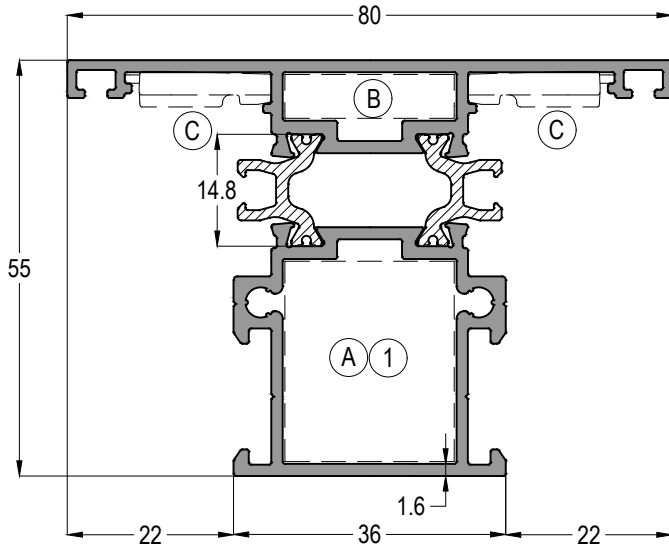


TM55 03				Jx cm <sup>4</sup>	Jy cm <sup>4</sup>
				21,75	20,45
AĞIRLIK / Weight					
1,449 kg/mt					

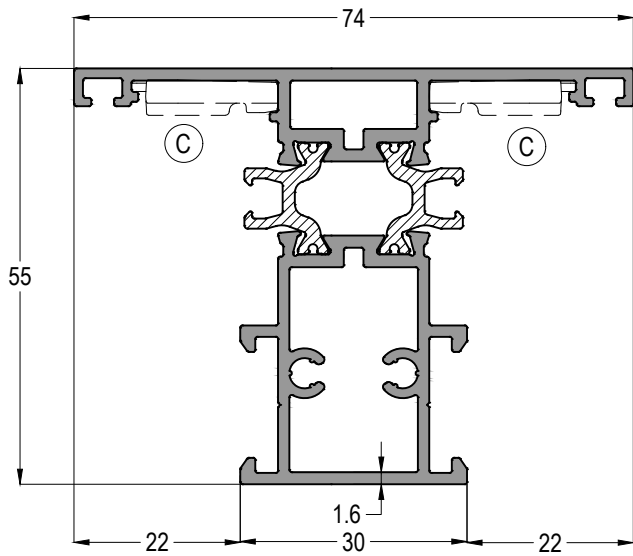
A	B	C	D
ASI-KT 2660-ASI-PB 2326	ASI-KT 2305	ASI-FUJI 2000	ASI-SB 19

# TM55

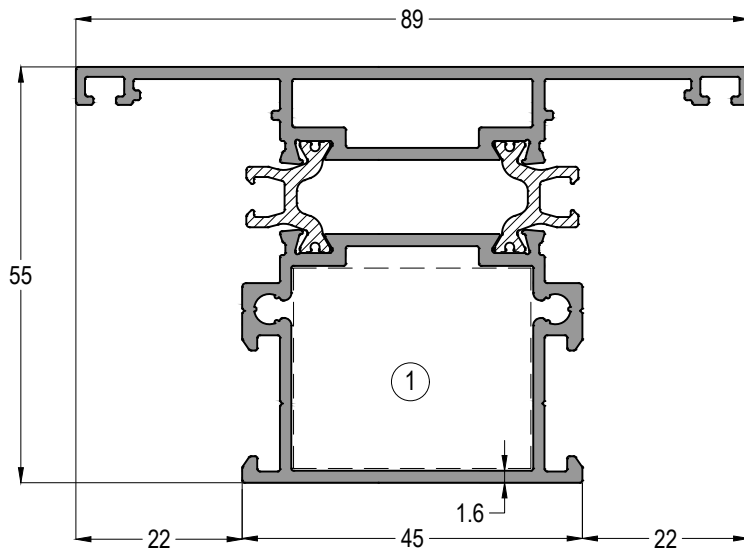
YALITIMSLI KAPI-PENCERE SİSTEMİ  
THERMAL WINDOW&DOOR SYSTEM



TM55 21				Jx cm <sup>4</sup>	Jy cm <sup>4</sup>
				18,52	15,35
(A)	(B)	(C)	(1)	AĞIRLIK / Weight	
ASI-KT 2660-ASI-PB 2326	ASI-KT 2305	ASI-FUJJI 2000	ASI-DB 9123	1,479 kg/mt	



TM55 22		Jx cm <sup>4</sup>	Jy cm <sup>4</sup>
		17,83	10,66
(C)	(1)	AĞIRLIK / Weight	
ASI-FUJJI 2000		1,385 kg/mt	

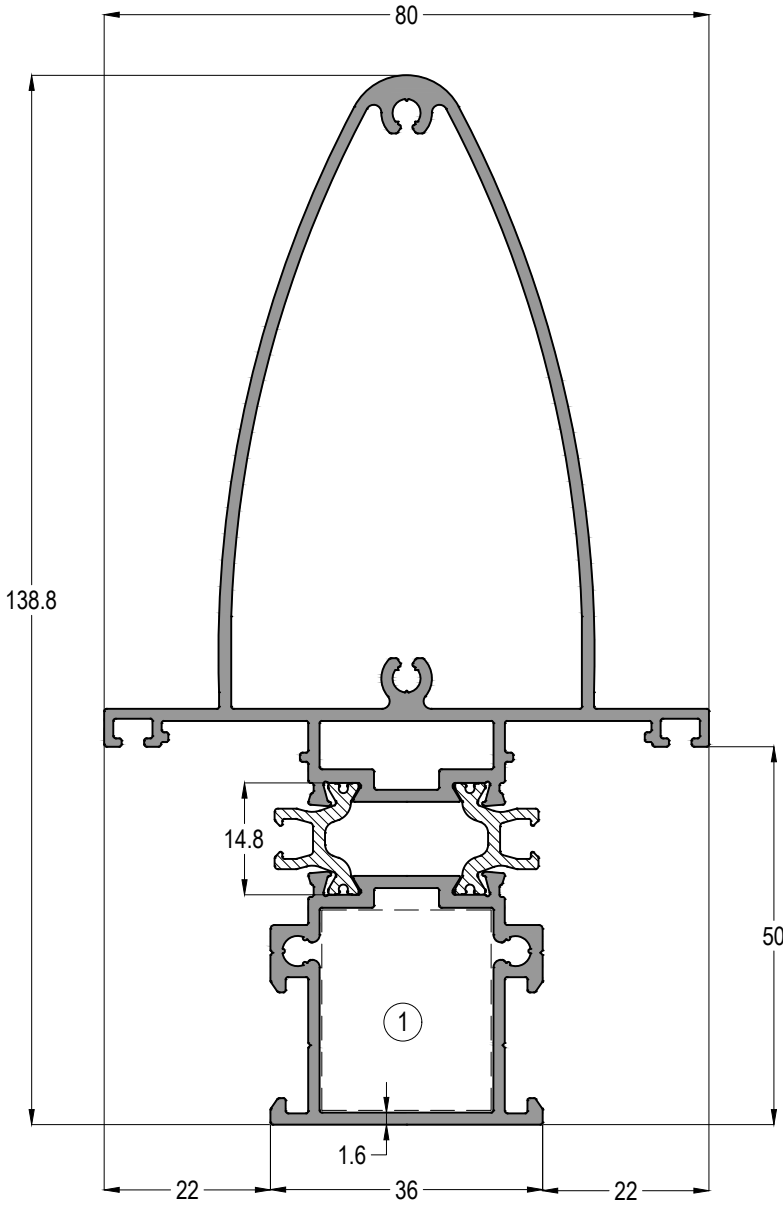



TM55 23		Jx cm <sup>4</sup>	Jy cm <sup>4</sup>
		20,87	23,94
(1)	(1)	AĞIRLIK / Weight	
ASI-DB 9132		1,636 kg/mt	


# TM55

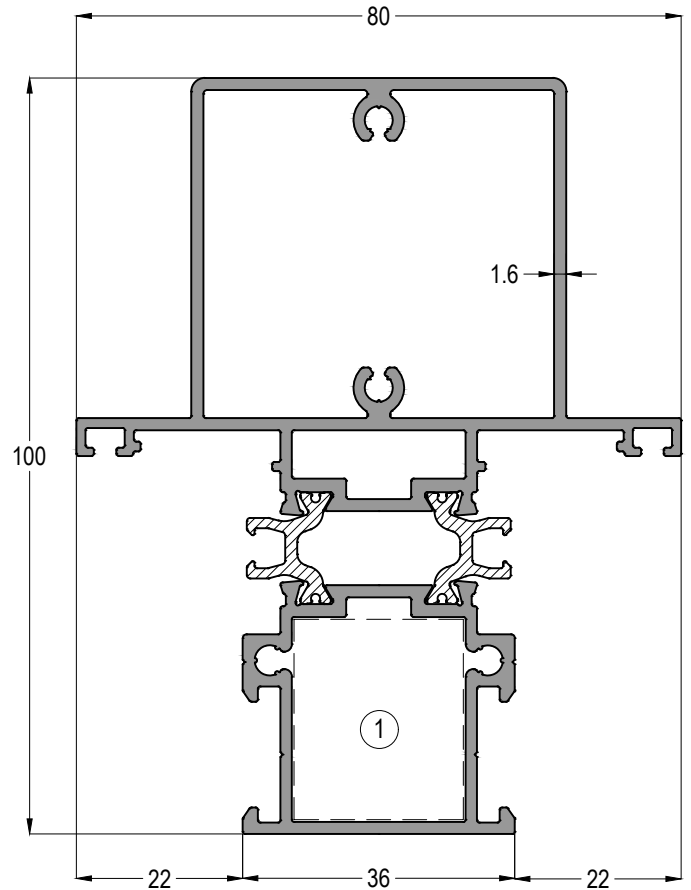
YALITIMSLI KAPI-PENCERE SİSTEMİ  
THERMAL WINDOW&DOOR SYSTEM

## ASISTAL



TM55 24	Jx cm <sup>4</sup>	Jy cm <sup>4</sup>
	134,44	25,34
 ASI-DB 9123	AĞIRLIK / Weight	
	2,402 kg/mt	

TM55 25	Jx cm <sup>4</sup>	Jy cm <sup>4</sup>
	69,72	24,93
 ASI-DB 9123	AĞIRLIK / Weight	
	2,194 kg/mt	

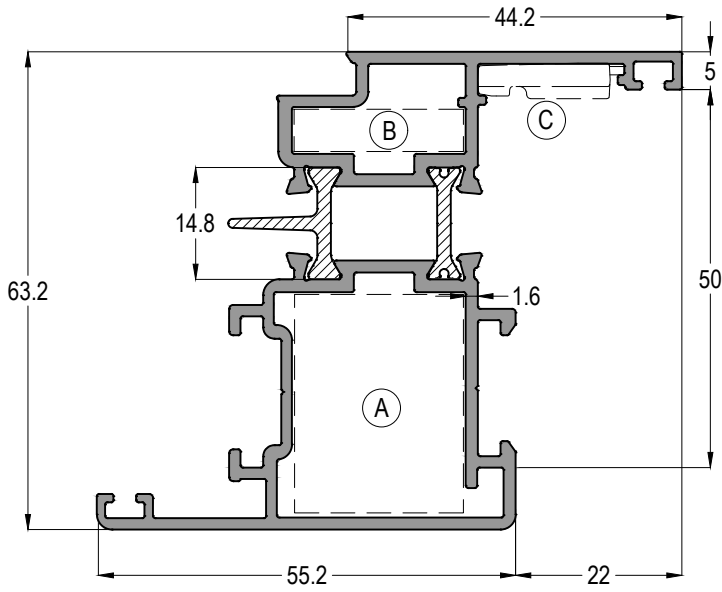





Profil ağırlıklarımız teorik olup; teslim anındaki tartımız geçerlidir.

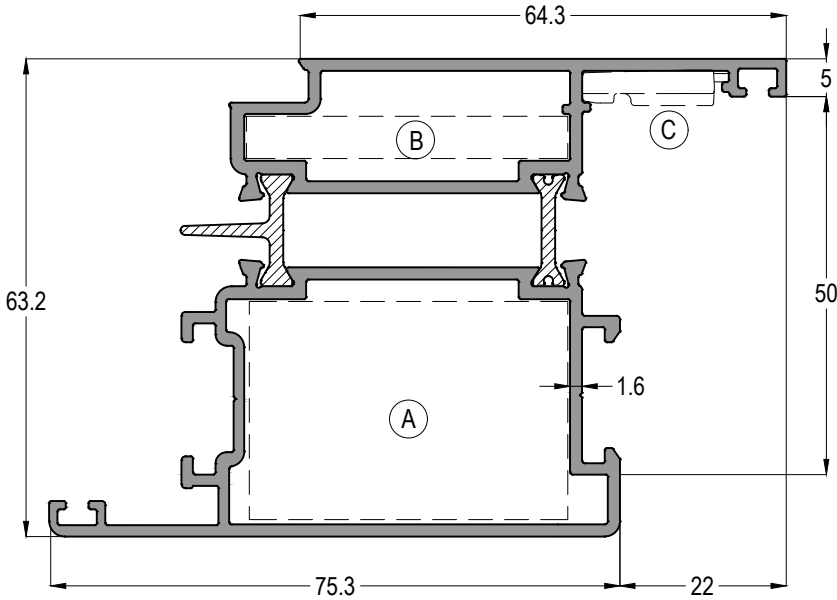
# TM55




YALITIMSLI KAPI-PENCERE SİSTEMİ  
THERMAL WINDOW&DOOR SYSTEM

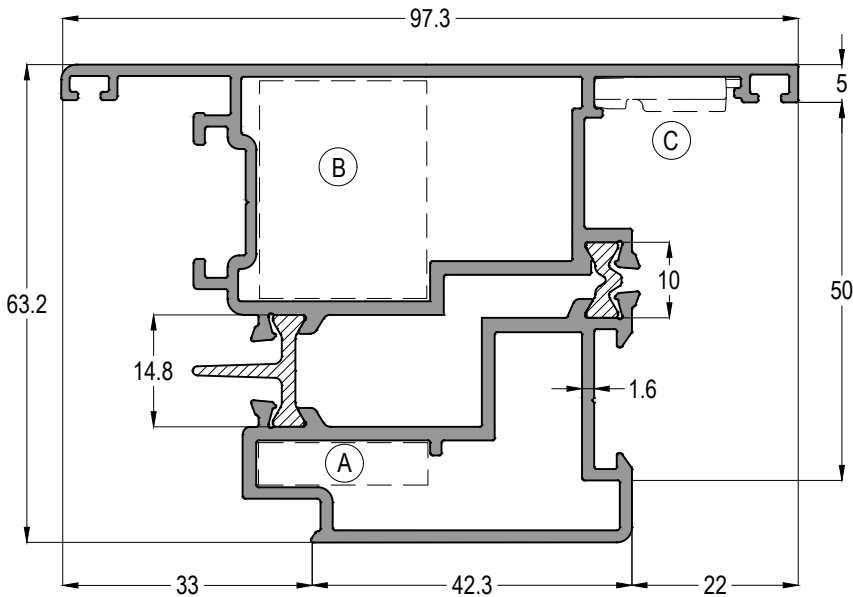
## ASISTAL

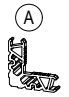




<b>TM55 11</b>			Jx cm <sup>4</sup>	Jy cm <sup>4</sup>
			26,49	14,04
 ASI-KT 2329	 ASI-KT 2305	 ASI-FUJI 2000	AĞIRLIK / Weight	
			1,508 kg/mt	



<b>TM55 12</b>			Jx cm <sup>4</sup>	Jy cm <sup>4</sup>
			32,87	35,82
 ASI-KT 4329	 ASI-KT 4305	 ASI-FUJI 2000	AĞIRLIK / Weight	
			1,845 kg/mt	

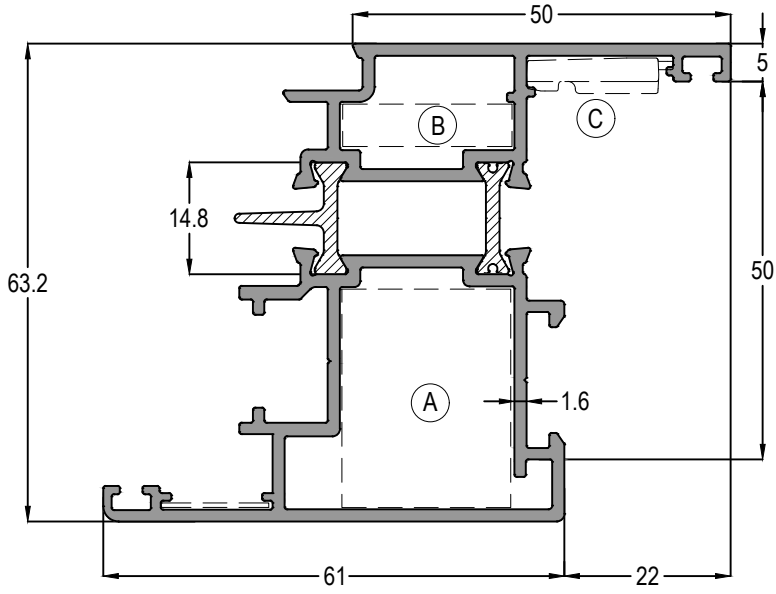






<b>TM55 14</b>			Jx cm <sup>4</sup>	Jy cm <sup>4</sup>
			33,12	38,17
 ASI-KT 2305	 ASI-KT 2329	 ASI-FUJI 2000	AĞIRLIK / Weight	
			2,044 kg/mt	

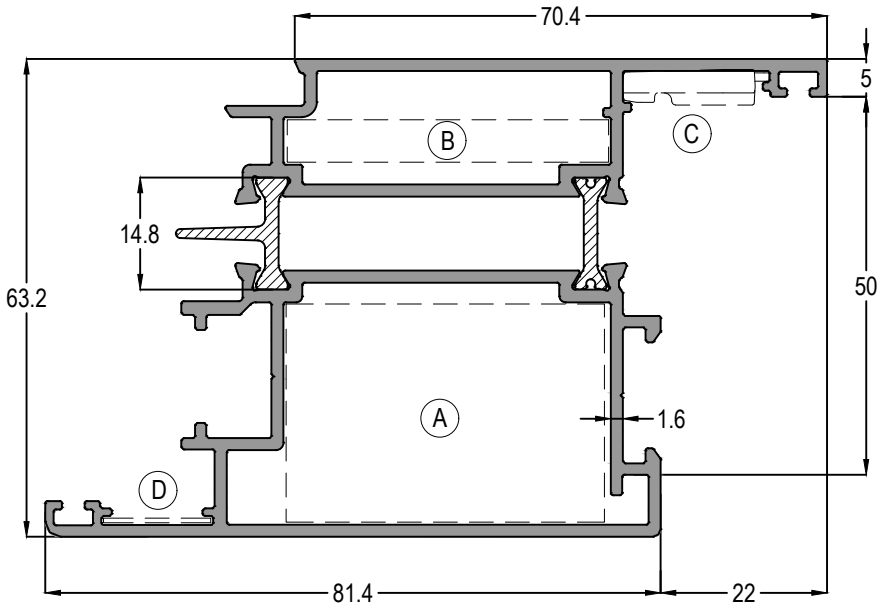
# TM55




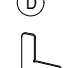
YALITIMSLI KAPI-PENCERE SİSTEMİ  
THERMAL WINDOW&DOOR SYSTEM

## ASISTAL



TM55 16				Jx cm <sup>4</sup>	Jy cm <sup>4</sup>
				35,03	13,36
(A)	(B)	(C)	(D)	AĞIRLIK / Weight	
				1,635 kg/mt	
ASI-KT 2329	ASI-KT 2305	ASI-FUJI 2000	ASI-SB 19.1		



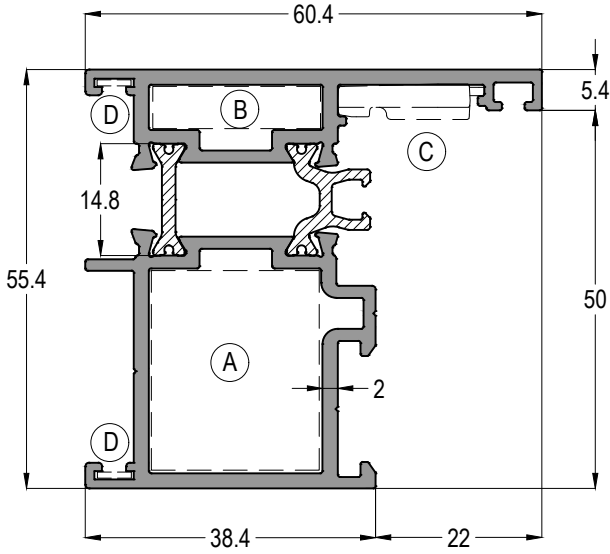
TM55 15				Jx cm <sup>4</sup>	Jy cm <sup>4</sup>
				40,17	46,11
(A)	(B)	(C)	(D)	AĞIRLIK / Weight	
				1,989 kg/mt	
ASI-KT 4329	ASI-KT 4305	ASI-FUJI 2000	ASI-SB 19.1		

# TM55

YALITIMSLI KAPI-PENCERE SİSTEMİ  
THERMAL WINDOW&DOOR SYSTEM

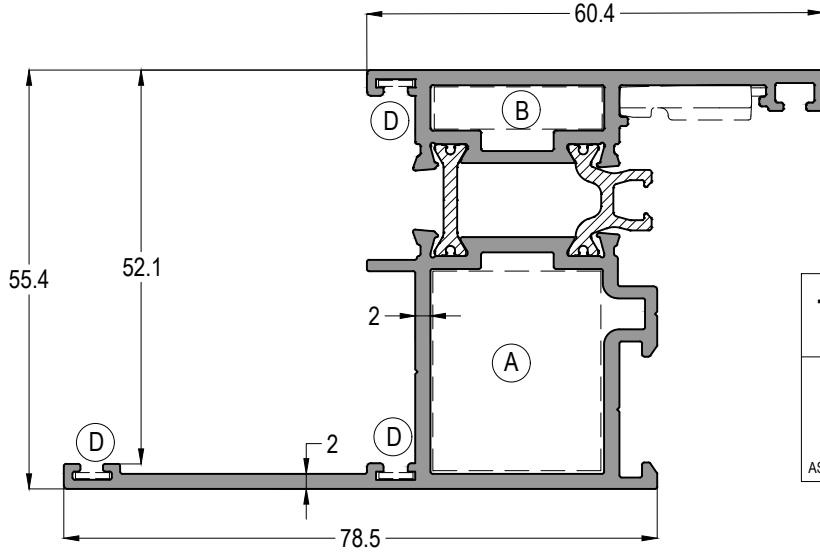


## 2 mm ET KALINLIĞINDA SİSTEM PROFİLLERİ 2 mm THICKNESS SYSTEM PROFILES



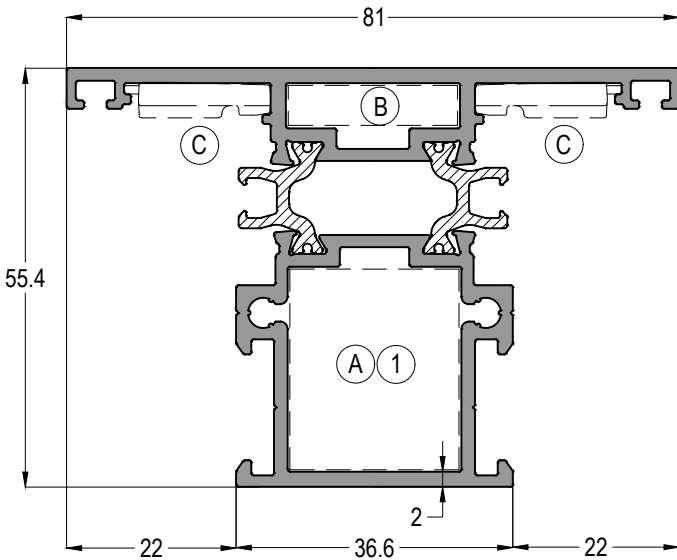
TM55 201				Jx cm <sup>4</sup>	Jy cm <sup>4</sup>
				20,10	11,53
AĞIRLIK / Weight					
1,484 kg/mt					

A	B	C	D



TM55 203				Jx cm <sup>4</sup>	Jy cm <sup>4</sup>
				24,75	22,45
AĞIRLIK / Weight					
1,715 kg/mt					

A	B	C	D



TM55 221				Jx cm <sup>4</sup>	Jy cm <sup>4</sup>
				18,15	22,00
AĞIRLIK / Weight					
1,665 kg/mt					

A	B	C	1

Profil ağırlıklarımız teorik olup; teslim anındaki tartımız geçerlidir.

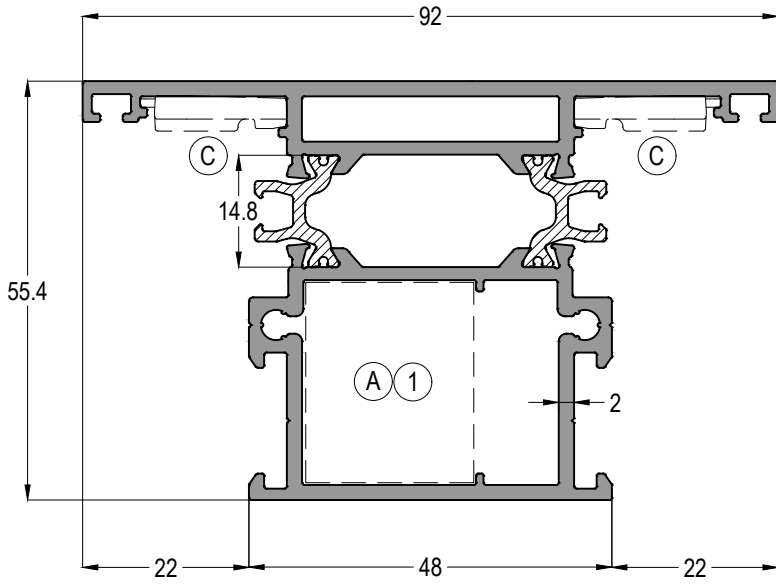


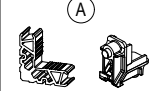
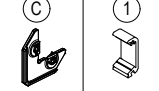
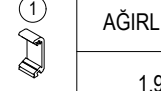
# TM55

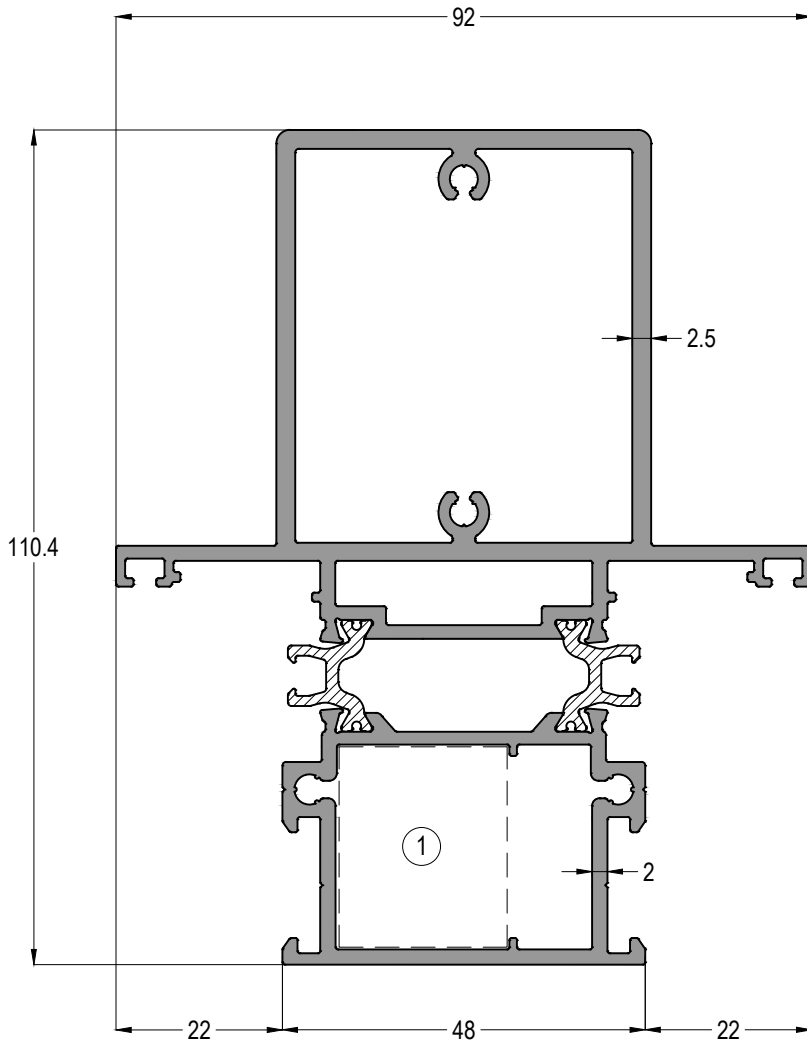
YALITIMSLI KAPI-PENCERE SİSTEMİ  
THERMAL WINDOW&DOOR SYSTEM




## 2 mm ET KALINLIĞINDA SİSTEM PROFİLLERİ 2 mm THICKNESS SYSTEM PROFILES



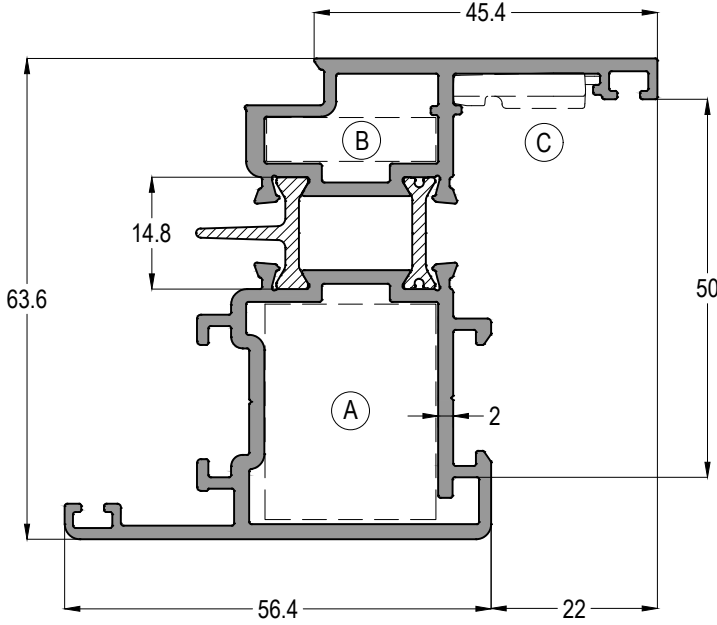
TM55 222		Jx cm <sup>4</sup>	Jy cm <sup>4</sup>
		26,56	31,17
 (A)	 (C)	AĞIRLIK / Weight	
ASI-KT 2660-ASI-PB 2326	ASI-FUJI 2000		
 (1)	ASI-DB 9123	1,901 kg/mt	



TM55 224		Jx cm <sup>4</sup>	Jy cm <sup>4</sup>
		127,77	48,52
 (1)	ASI-DB 9123	AĞIRLIK / Weight	

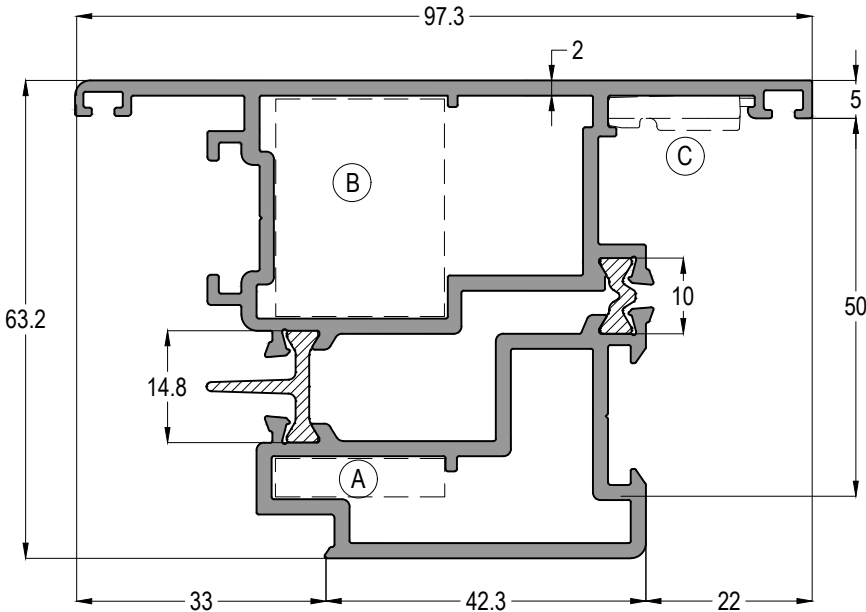
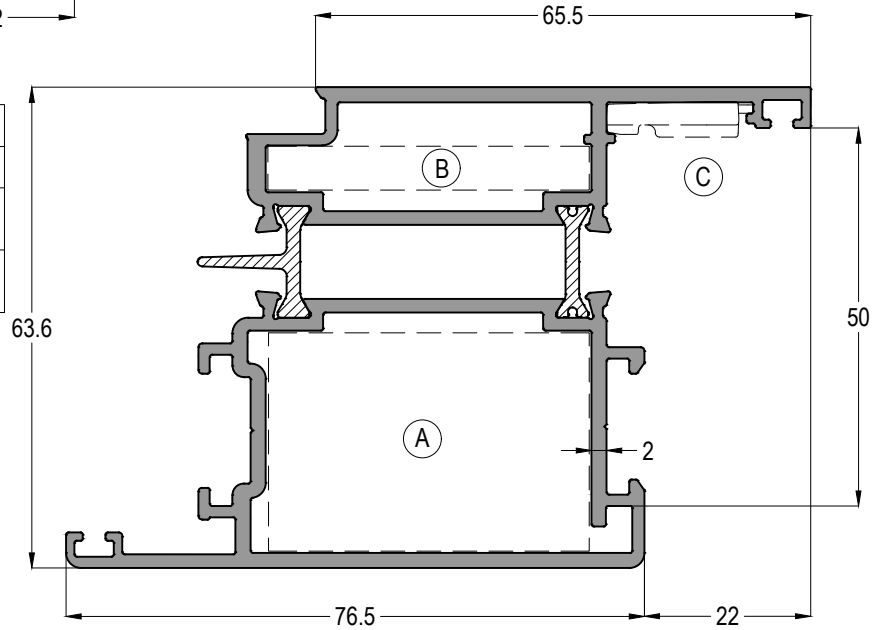


## 2 mm ET KALINLIĞINDA SİSTEM PROFİLLERİ 2 mm THICKNESS SYSTEM PROFILES



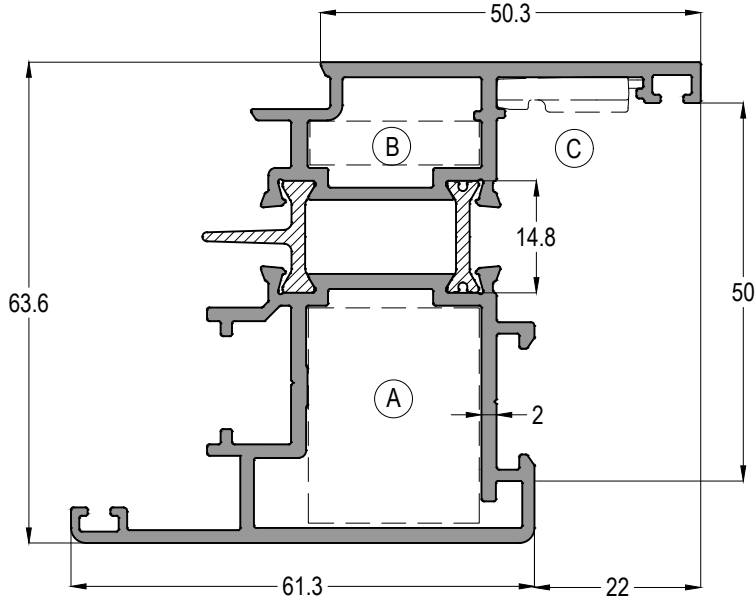
TM55 211			Jx cm <sup>4</sup>	Jy cm <sup>4</sup>
			31,40	16,58
(A)	(B)	(C)	AĞIRLIK / Weight	
ASI-KT 2329	ASI-KT 2305	ASI-FUJI 2000	1,705 kg/mt	

TM55 212			Jx cm <sup>4</sup>	Jy cm <sup>4</sup>
			39,69	42,03
(A)	(B)	(C)	AĞIRLIK / Weight	
ASI-KT 4329	ASI-KT 4305	ASI-FUJI 2000	2,098 kg/mt	

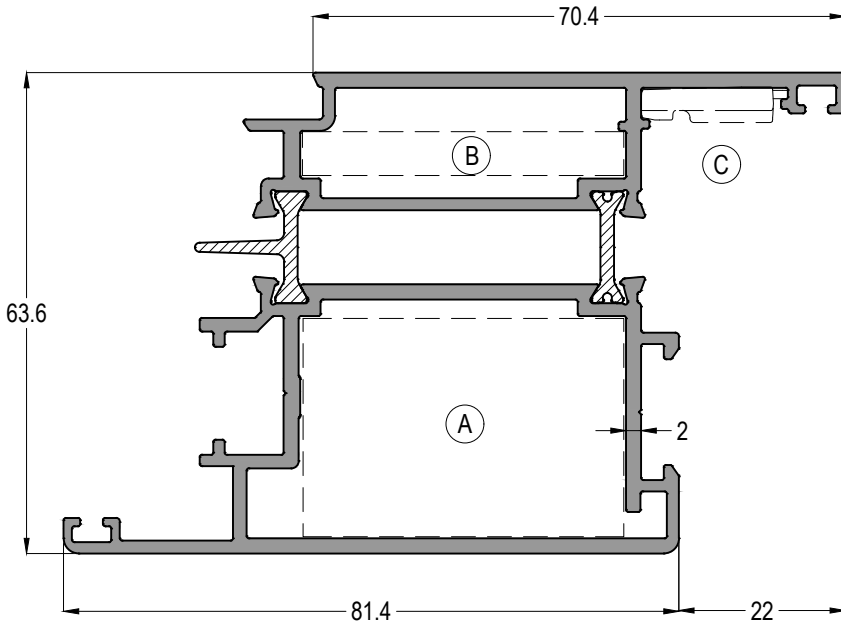


TM55 213			AĞIRLIK / Weight	
(A)	(B)	(C)		
ASI-KT 2305	ASI-KT 2329	ASI-FUJI 2000	2,347 kg/mt	

ÇOK NOKTADAN KİLİTLEME KANAT PROFİLLERİ-2mm  
MULTI POINT LOCK SASH PROFILES



TM55 214			Jx cm <sup>4</sup>	Jy cm <sup>4</sup>
			32,96	20,36
(A)	(B)	(C)	AĞIRLIK / Weight	
ASI-KT 2329	ASI-KT 2305	ASI-FUJI 2000	1,803 kg/mt	



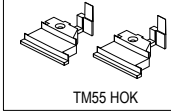
TM55 215			Jx cm <sup>4</sup>	Jy cm <sup>4</sup>
			41,17	48,91
(A)	(B)	(C)	AĞIRLIK / Weight	
ASI-KT 4329	ASI-KT 4305	ASI-FUJI 2000	2,195 kg/mt	

# TM55

YALITIMSLI KAPI-PENCERE SİSTEMİ  
THERMAL WINDOW&DOOR SYSTEM



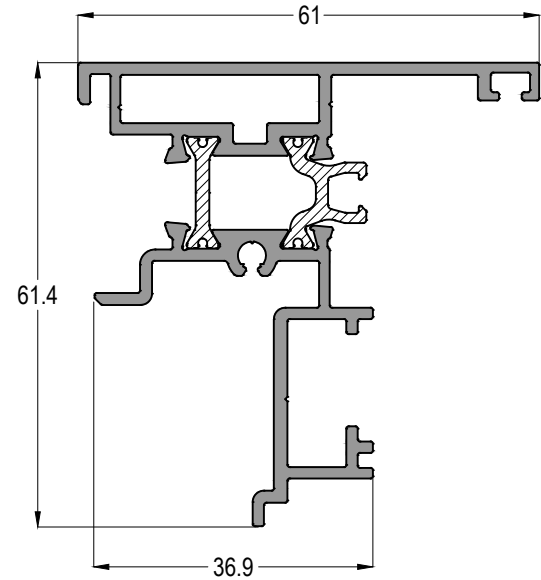
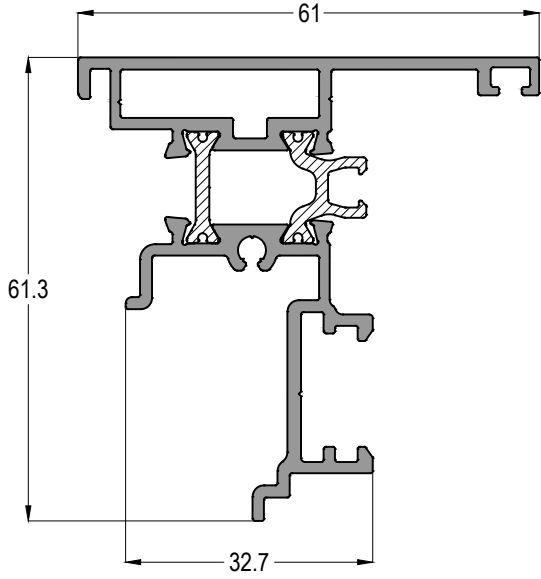
## TM55 41



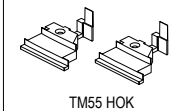
TM55 HOK

AĞIRLIK / Weight

1,197 kg/mt



## TM55 42

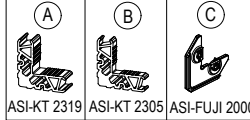


TM55 HOK

AĞIRLIK / Weight

1,218 kg/mt

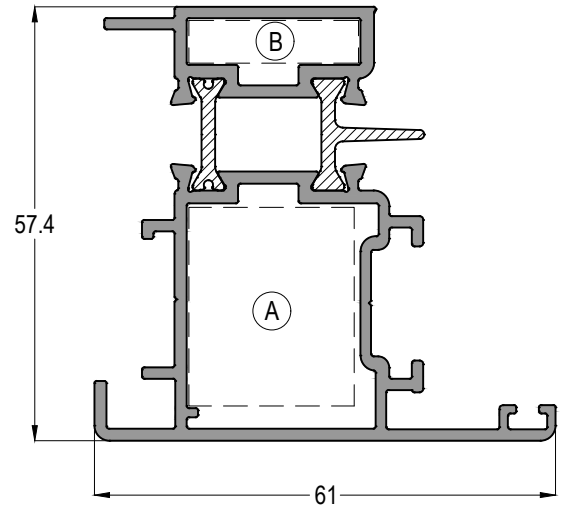
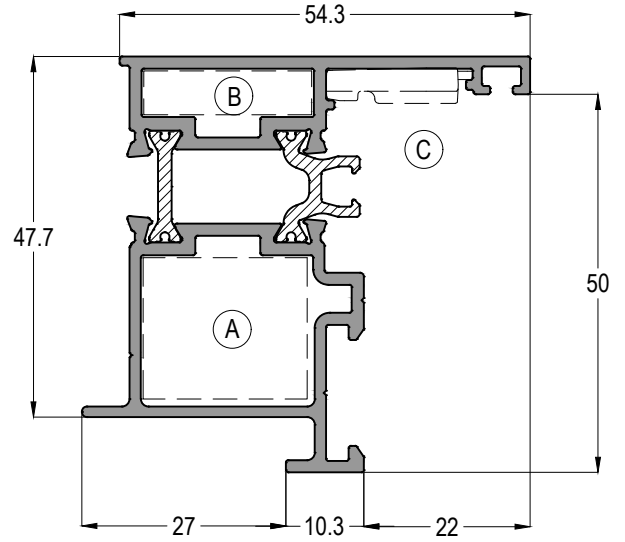
## TM55 43



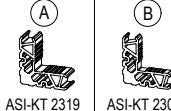
ASI-KT 2319 ASI-KT 2305 ASI-FUJI 2000

AĞIRLIK / Weight

1,211 kg/mt



## TM55 44



ASI-KT 2319 ASI-KT 2305

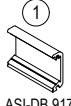
AĞIRLIK / Weight

1,364 kg/mt

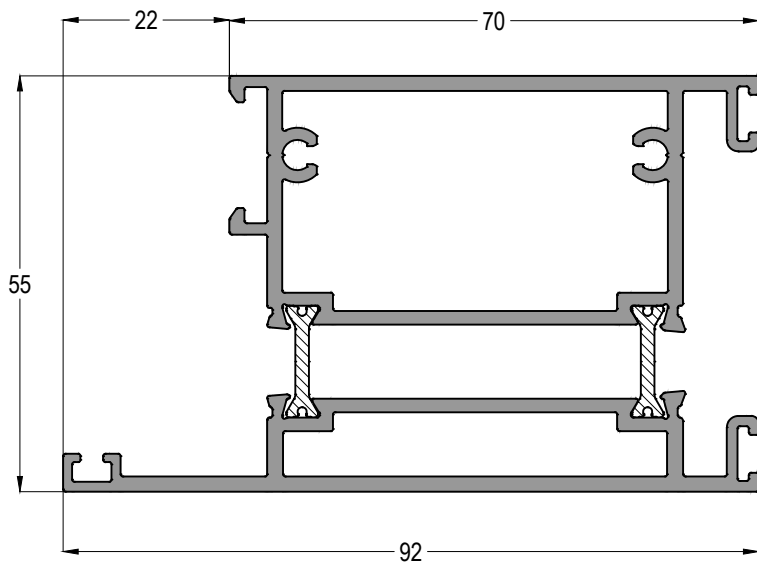
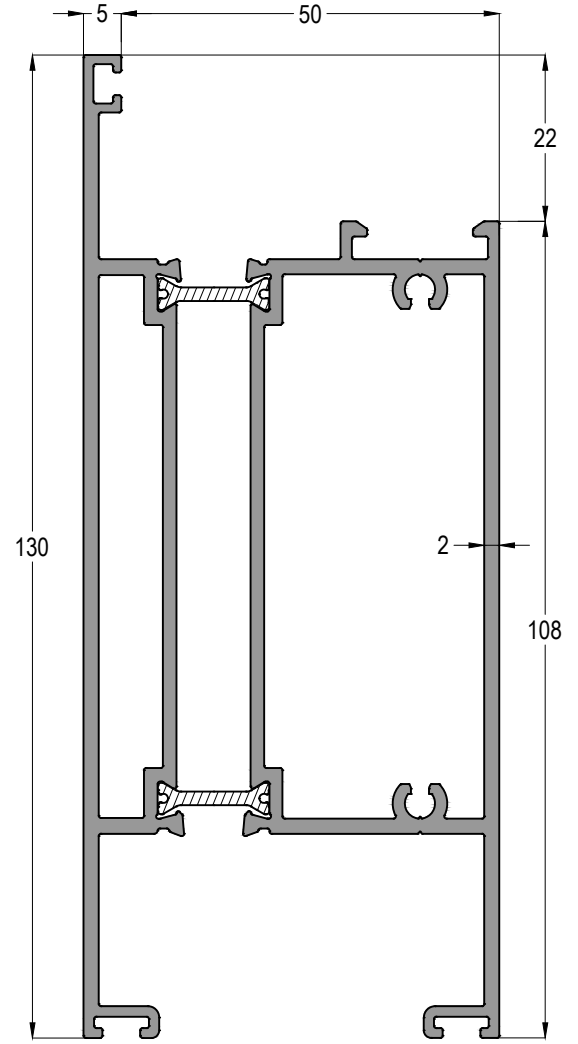
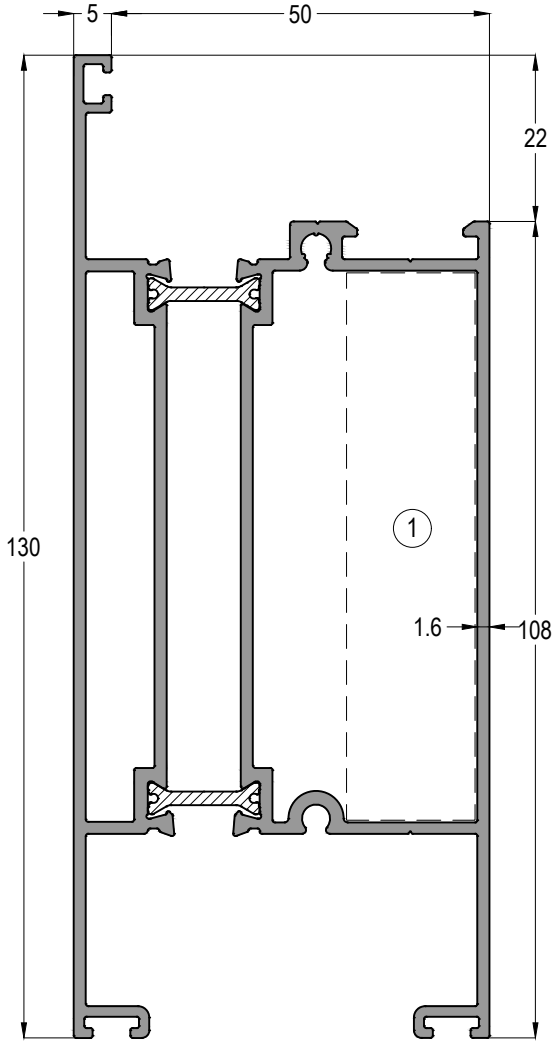
# TM55

YALITIMSLI KAPI-PENCERE SİSTEMİ  
THERMAL WINDOW&DOOR SYSTEM

# ASISTAL

TM55 31	Jx cm <sup>4</sup>	Jy cm <sup>4</sup>
	130,01	35,76
 ASI-DB 9172	AĞIRLIK / Weight	
	2,415 kg/mt	

TM55 231	Jx cm <sup>4</sup>	Jy cm <sup>4</sup>
	139,82	38,61
	AĞIRLIK / Weight	
	2,817 kg/mt	



TM55 232	Jx cm <sup>4</sup>	Jy cm <sup>4</sup>
	50,17	32,41
	AĞIRLIK / Weight	
	2,201 kg/mt	

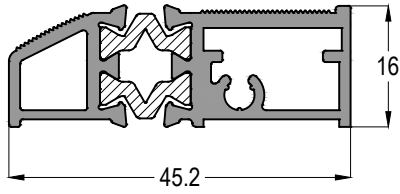
Profil ağırlıklarımız teorik olup; teslim anındaki tartımız geçerlidir.

# TM55

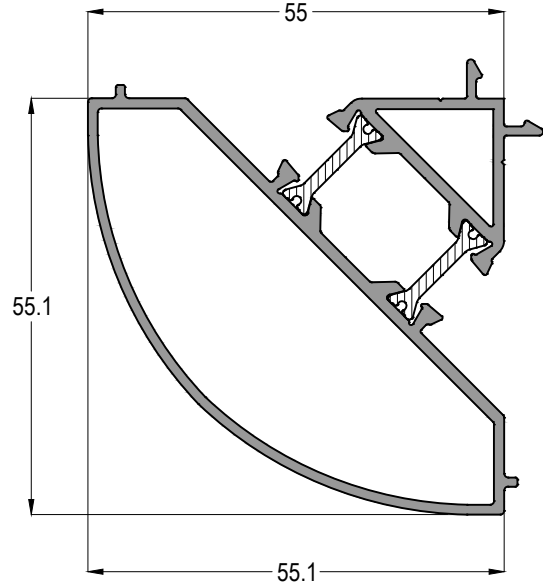
YALITIMSLI KAPI-PENCERE SİSTEMİ  
THERMAL WINDOW&DOOR SYSTEM

# ASISTAL

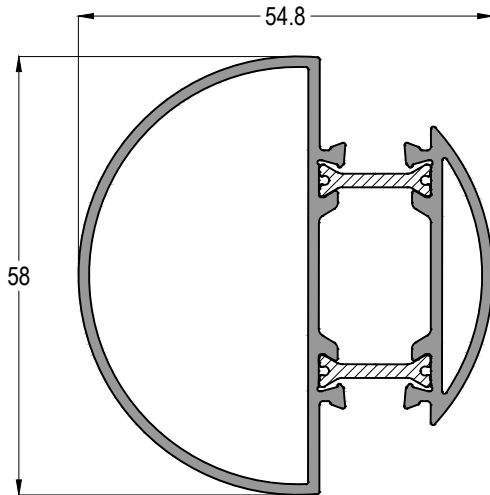
12-31	
	AĞIRLIK / Weight
	0,763 kg/mt



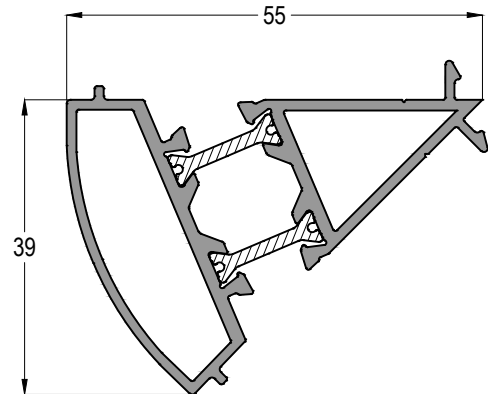
TM55 51	Jx cm <sup>4</sup>	Jy cm <sup>4</sup>
	10,80	14,75
	AĞIRLIK / Weight	
	1,164 kg/mt	

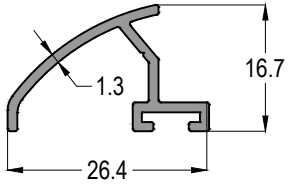


TH55 54	Jx cm <sup>4</sup>	Jy cm <sup>4</sup>
	10,94	10,88
	AĞIRLIK / Weight	
	1,098 kg/mt	



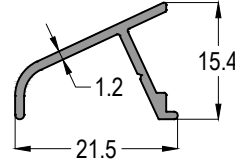
TH55 52	Jx cm <sup>4</sup>	Jy cm <sup>4</sup>
	3,40	8,07
	AĞIRLIK / Weight	
	0,927 kg/mt	





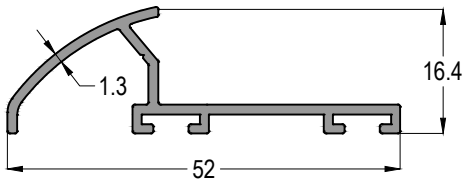
**12-01**

0,198 kg/mt



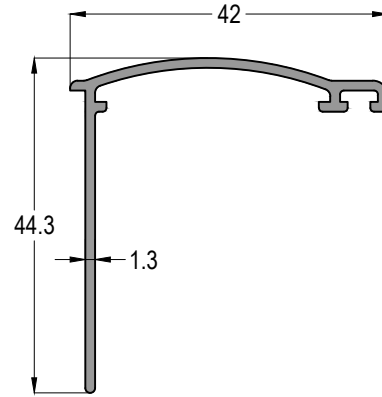
**12-02**

0,136 kg/mt



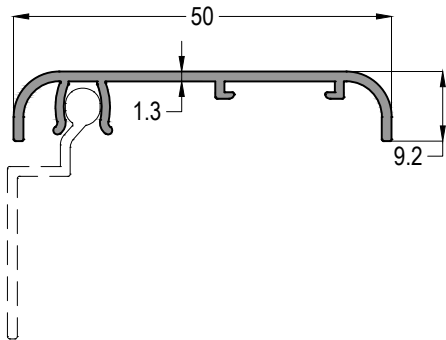
**12-03**

0,313 kg/mt



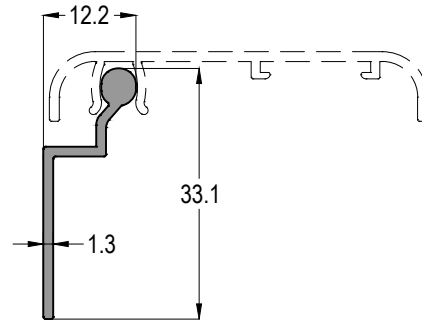
**12-54**

0,326 kg/mt



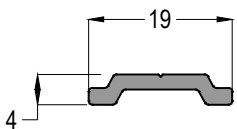
**12-52**

0,279 kg/mt



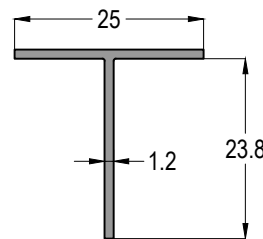
**12-53**

0,177 kg/mt



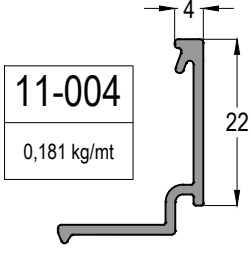
**12-41**

0,118 kg/mt

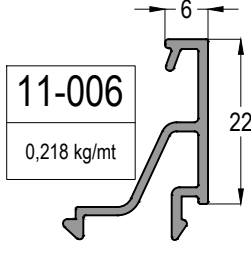


**04-025025-12**

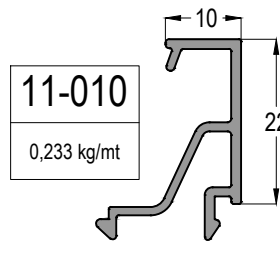
0,158 kg/mt



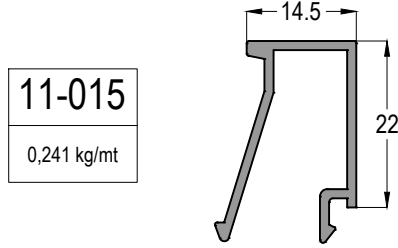
**11-004**  
0,181 kg/mt



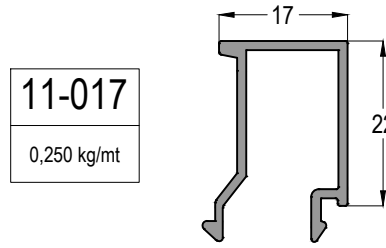
**11-006**  
0,218 kg/mt



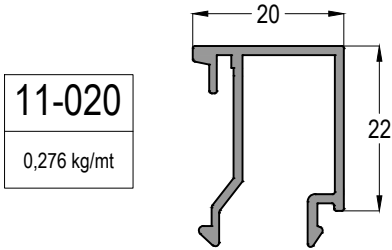
**11-010**  
0,233 kg/mt



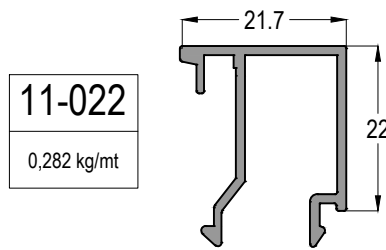
**11-015**  
0,241 kg/mt



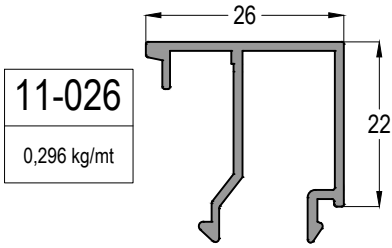
**11-017**  
0,250 kg/mt



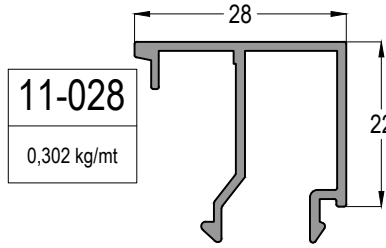
**11-020**  
0,276 kg/mt



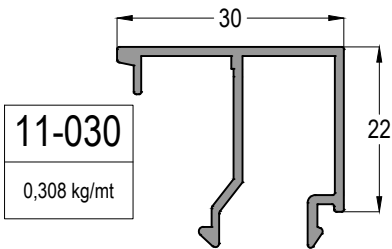
**11-022**  
0,282 kg/mt



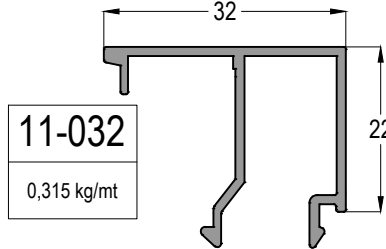
**11-026**  
0,296 kg/mt



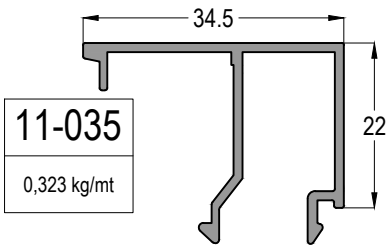
**11-028**  
0,302 kg/mt



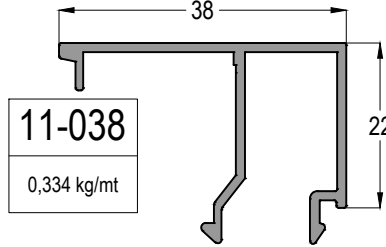
**11-030**  
0,308 kg/mt



**11-032**  
0,315 kg/mt



**11-035**  
0,323 kg/mt



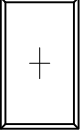
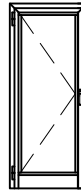
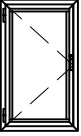
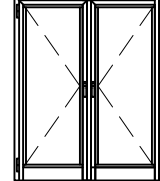
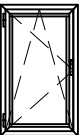
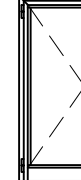
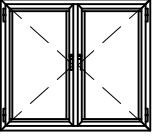
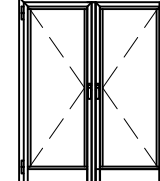
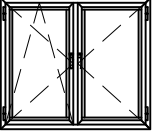
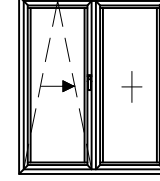
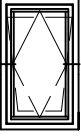
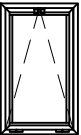
**11-038**  
0,334 kg/mt

**CAM KALINLIĞINA GÖRE CAM ÇİTASI SEÇİM TABLOSU**  
Glazing Bead Selection Table according to the Glass Thickness

CAM KALINLIĞI Glass Thickness (mm)	CAM ÇİTASI Glazing Bead	İÇ CAM FİTİLİ Glass Gasket (IN)	DIŞ CAM FİTİLİ Glass Gasket (OUT)
4	11-038	EP2-02	EP1-01
5	11-038	EP2-01	EP1-01
6	11-038	KC-02	EP1-01
7	11-035	EP2-02	EP1-01
8	11-035	EP2-01	EP1-01
9	11-035	KC-02	EP1-01
10	11-032	EP2-02	EP1-01
11	11-032	EP2-01	EP1-01
12	11-032	KC-02	EP1-01
13	11-030	EP2-01	EP1-01
14	11-030	KC-02	EP1-01
15	11-028	EP2-01	EP1-01
16	11-028	KC-02	EP1-01
17	11-026	EP2-01	EP1-01
18	11-026	KC-02	EP1-01
20	11-022	EP2-02	EP1-01
21	11-022	EP2-01	EP1-01
22	11-022	KC-02	EP1-01
23	11-020	EP2-01	EP1-01
24	11-020	KC-02	EP1-01
26	11-017	EP2-01	EP1-01
27	11-017	KC-02	EP1-01
28	11-015	EP2-01	EP1-01
29	11-015	KC-02	EP1-01
32	11-010	EP2-02	EP1-01
33	11-010	EP2-01	EP1-01
34	11-010	KC-02	EP1-01
36	11-006	EP2-02	EP1-01
37	11-006	EP2-01	EP1-01
38	11-006	KC-02	EP1-01
39	11-004	EP2-01	EP1-01
40	11-004	KC-02	EP1-01



## AÇILIM TİPLERİ - OPENING TYPES

 <p>SABİT FIXED</p>	 <p>TEK KANAT İÇE AÇILIR KAPI SINGLE INNER OPENING DOOR</p>
 <p>TEK AÇILIR KANAT SINGLE OPENING SASH</p>	 <p>ÇİFT KANAT İÇE AÇILIR KAPI DOUBLE INNER OPENING DOOR</p>
 <p>TEK KANAT ÇİFT EKSEN AÇILIM KANAT SINGLE TILT-TURN OPENING SASH</p>	 <p>TEK KANAT DIŞA AÇILIR KAPI SINGLE OUTER OPENING DOOR</p>
 <p>ÇİFT AÇILIR KANAT DOUBLE OPENING SASH</p>	 <p>ÇİFT KANAT DIŞA AÇILIR KAPI DOUBLE OUTER OPENING DOOR</p>
 <p>ÇİFT EKSEN AÇILIM KANAT DOUBLE TILT-TURN OPENING SASH</p>	 <p>PARALEL SÜRME KAPI PARALLEL SLIDING OPENING DOOR</p>
 <p>PİVOT AÇILIR KANAT PIVOT OPENING SASH</p>	
 <p>VASİSTAS AÇILIR KANAT VENT OPENING SASH</p>	

**TM55**

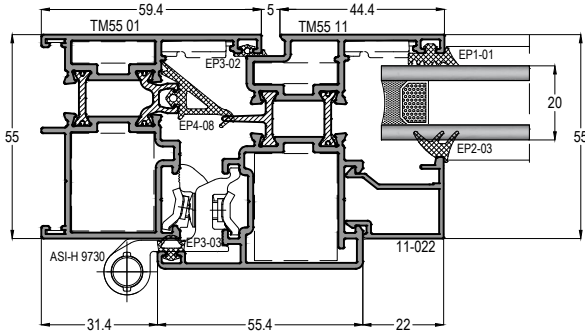
YALITIMLI KAPI-PENCERE SİSTEMİ  
THERMAL WINDOW&DOOR SYSTEM

**ASISTAL**

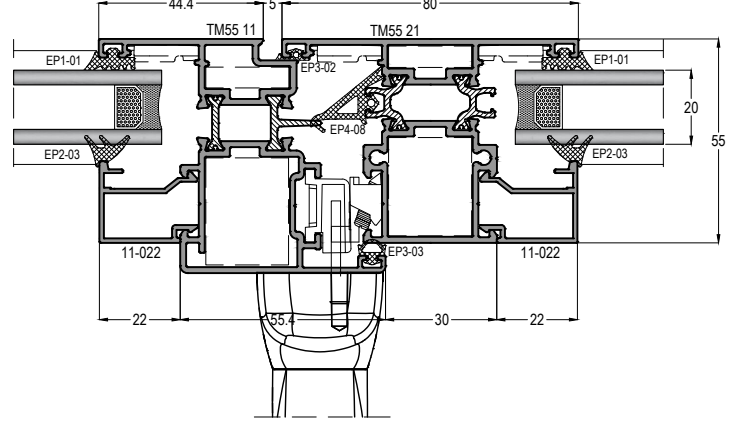
**SİSTEM DETAYLARI**  
*SYSTEM DETAILS*

### PENCERE AÇILIM DETAYLARI WINDOW OPENING DETAILS

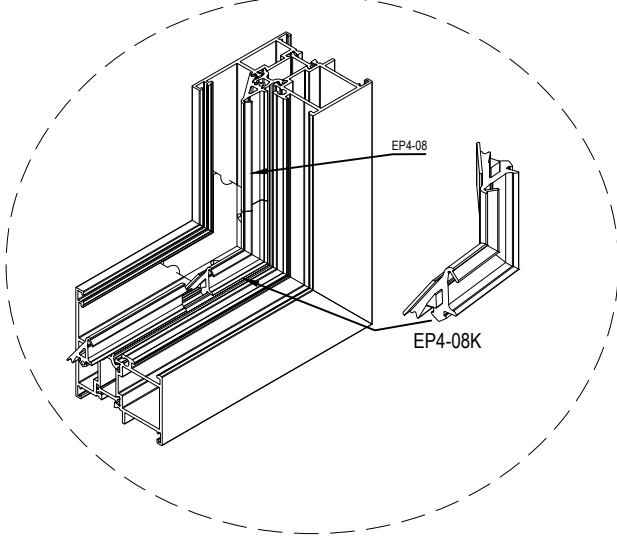
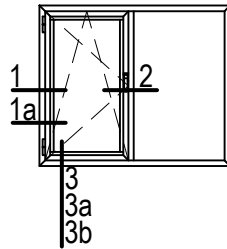
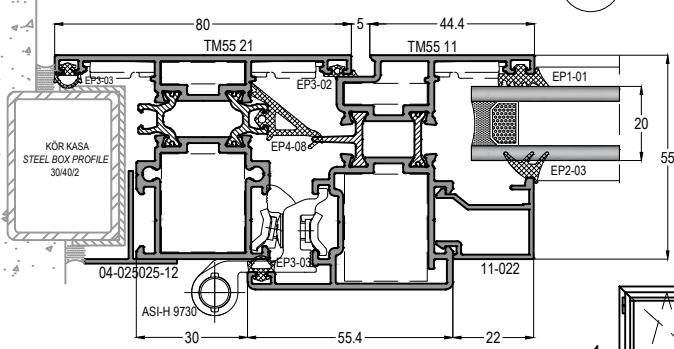
1



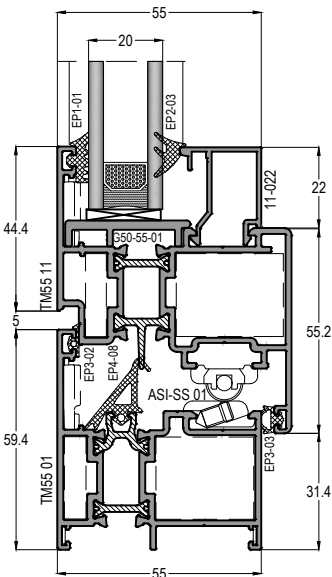
2



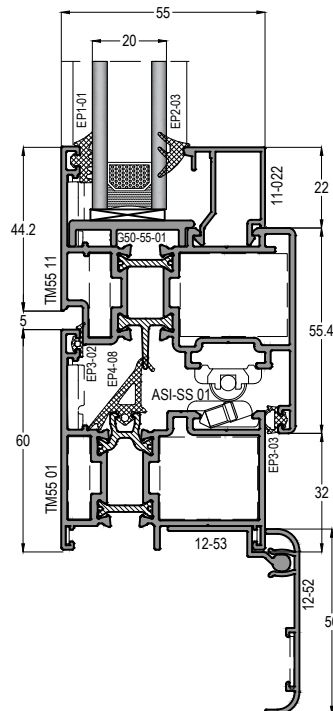
1a



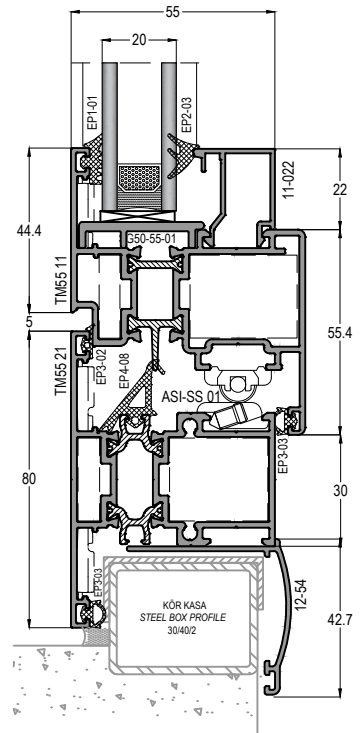
3



3a

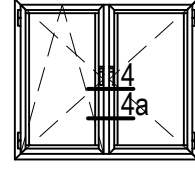
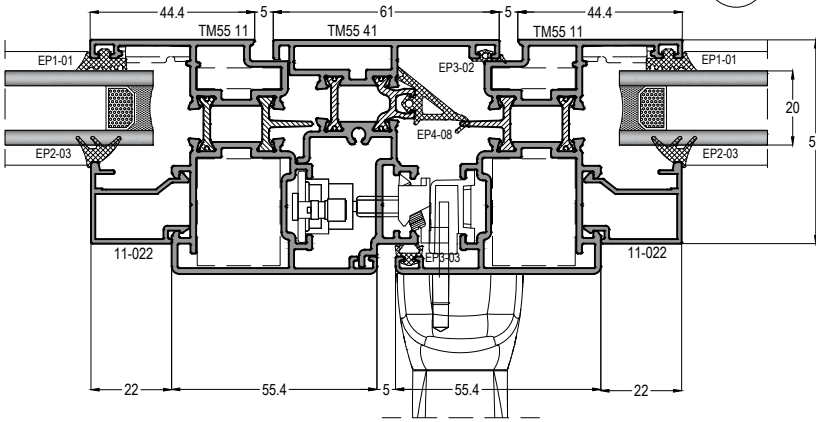


3b

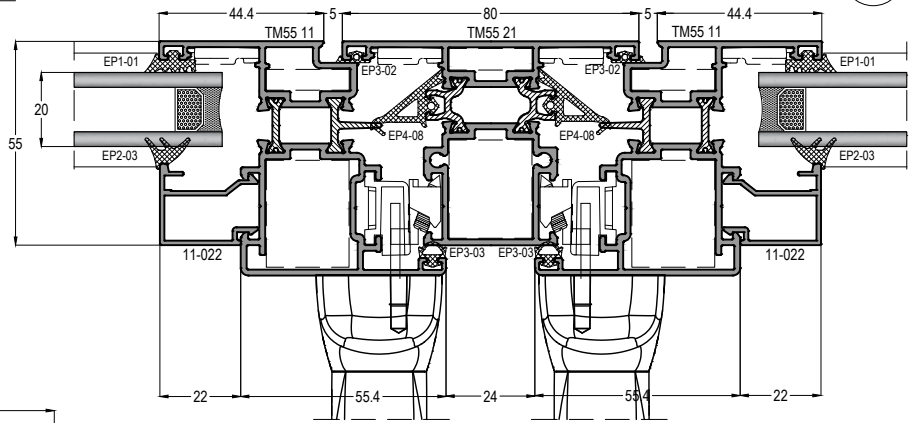


PENCERE AÇILIM DETAYLARI  
WINDOW OPENING DETAILS

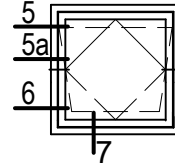
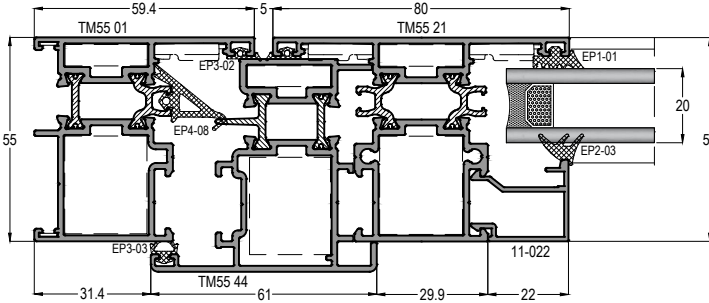
4



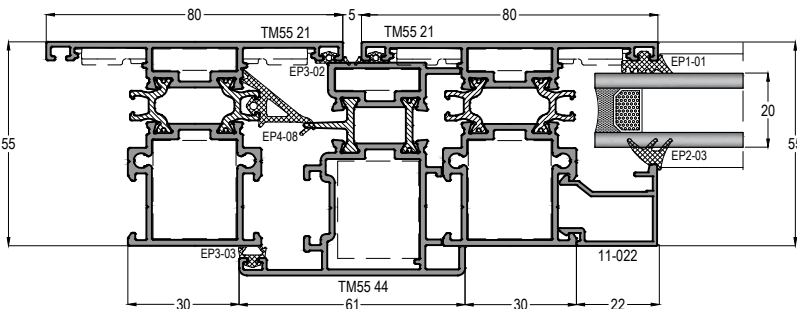
4a



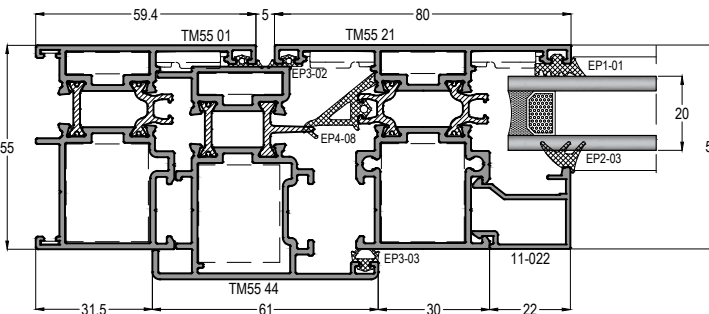
5



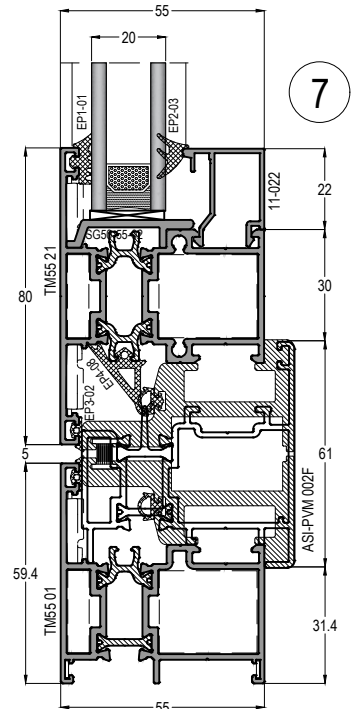
5a



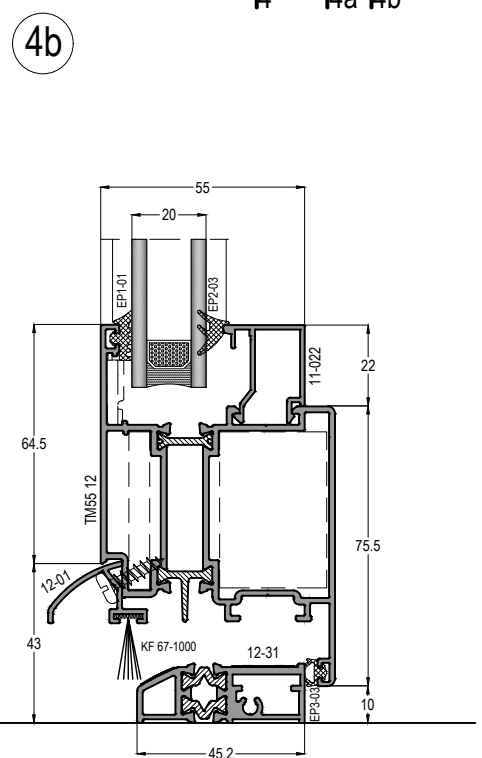
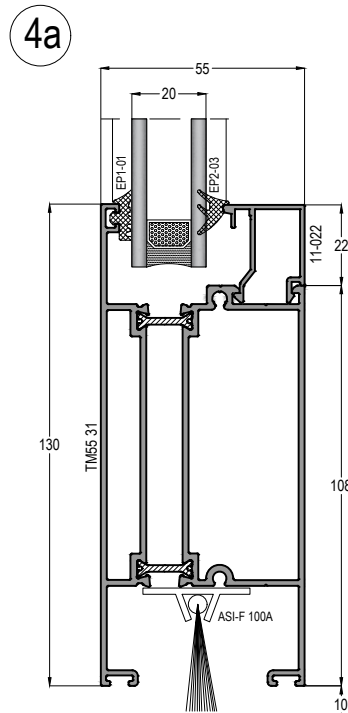
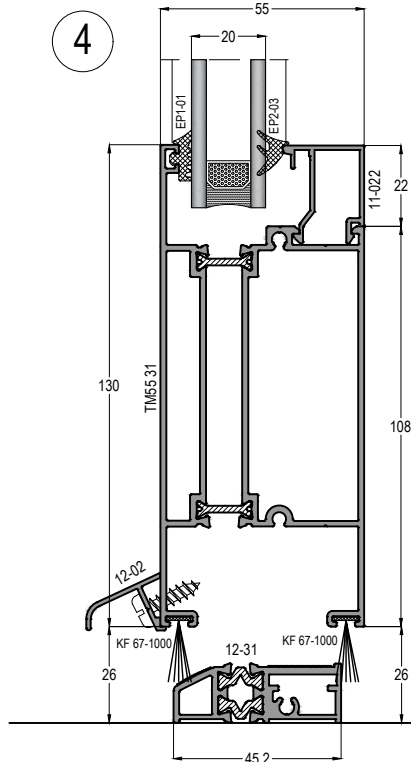
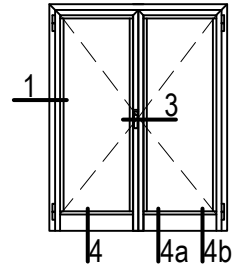
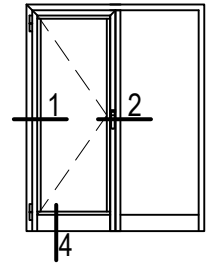
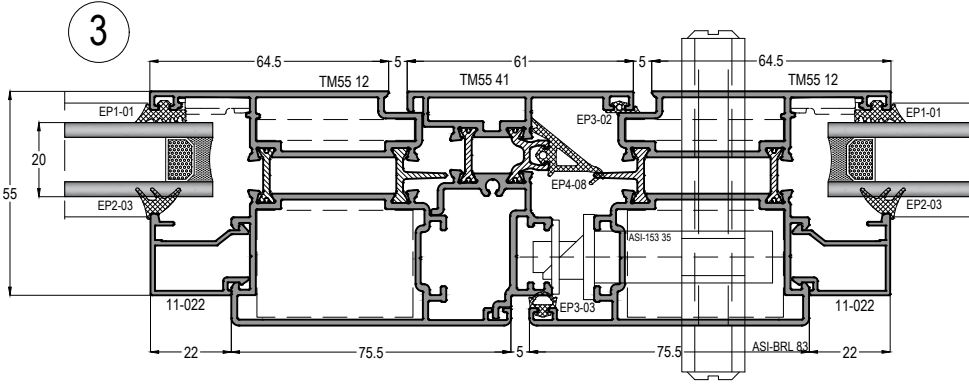
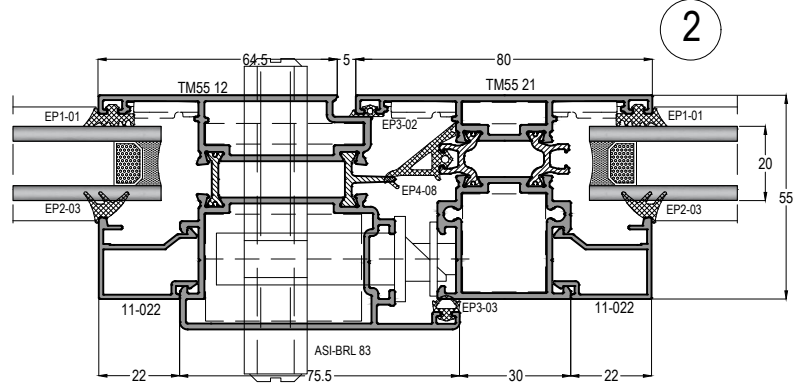
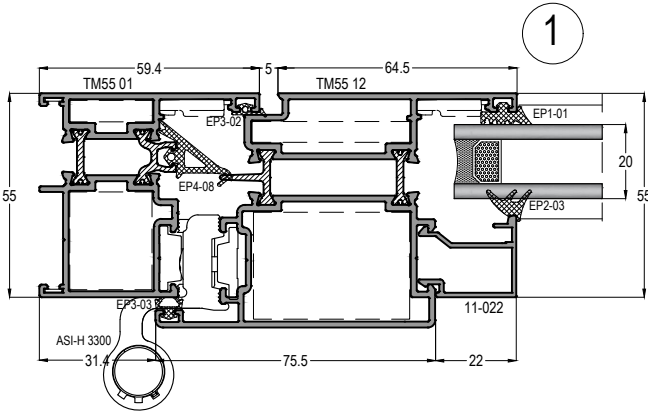
6



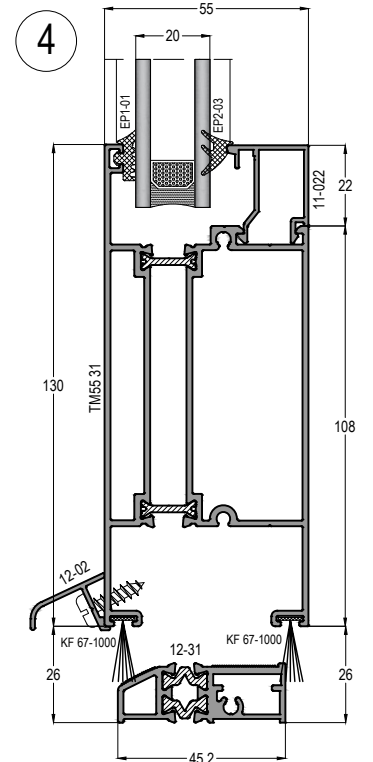
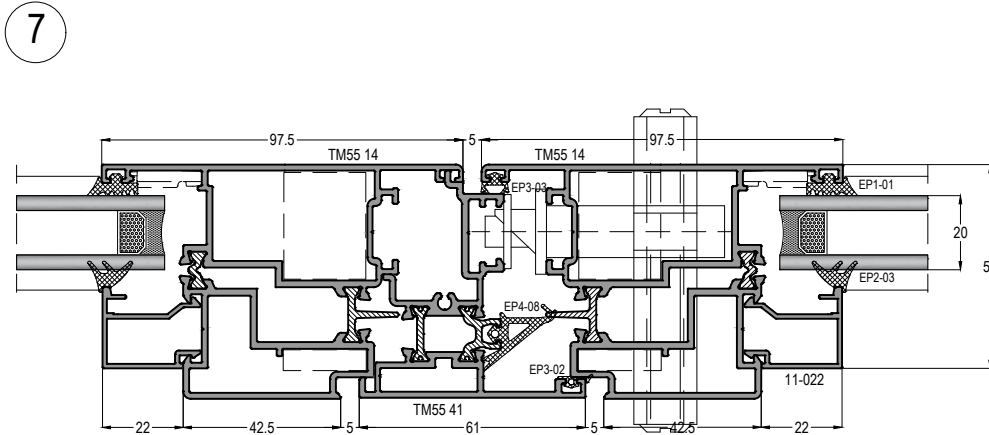
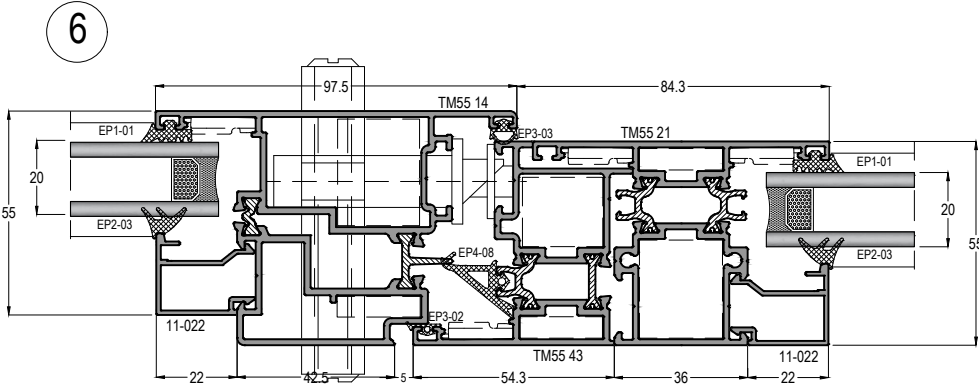
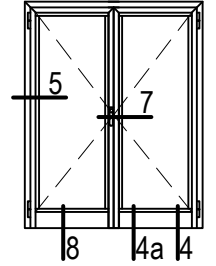
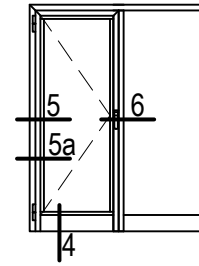
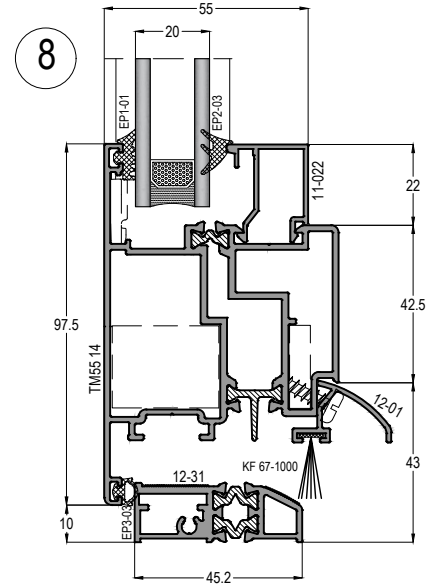
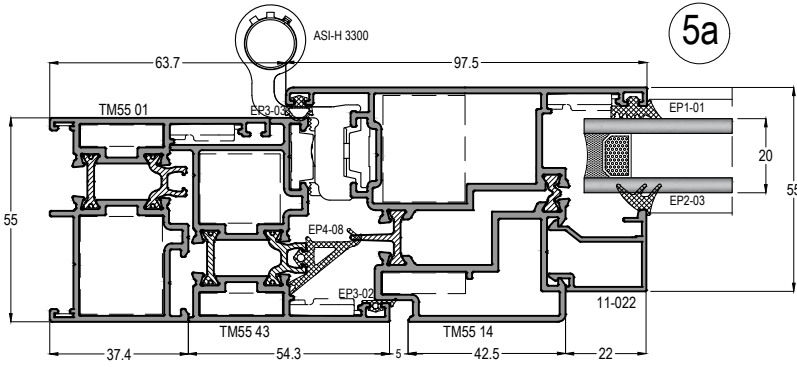
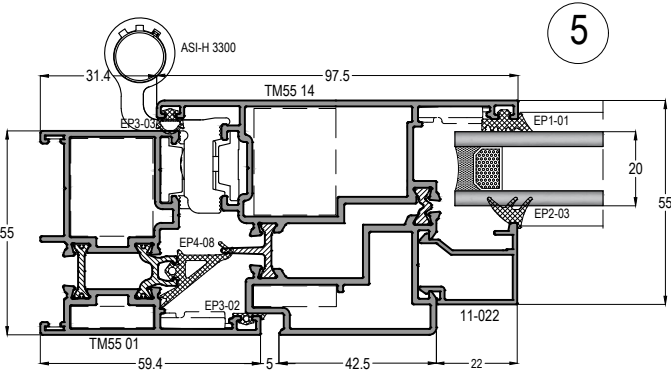
7



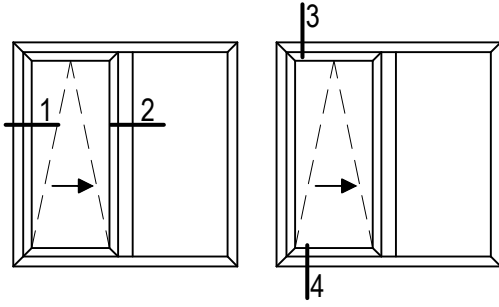
### İÇE AÇILIR KAPI DETAYLARI INNER OPENING DOOR DETAILS



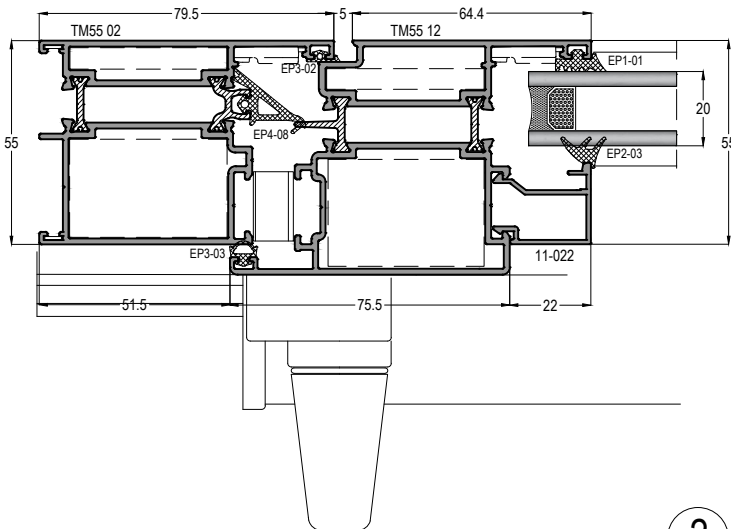
### DIŞA AÇILIR KAPI DETAYLARI OUTER OPENING DOOR DETAILS



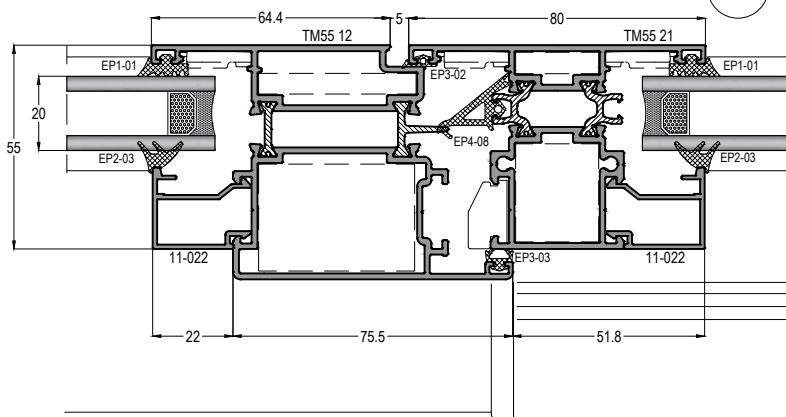
PARALEL SÜRME DETAYLARI  
PARALLEL SLIDING DETAILS



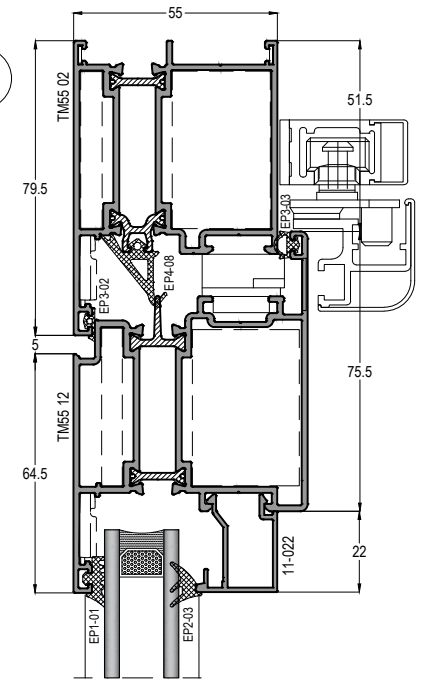
1



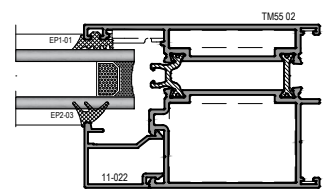
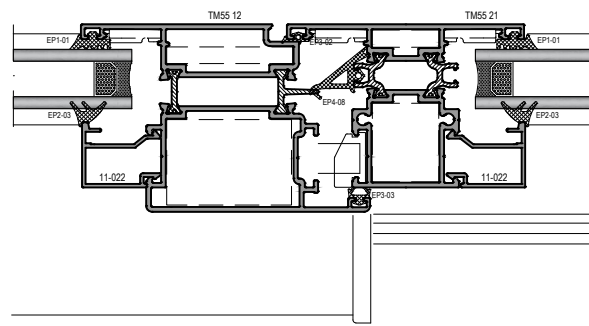
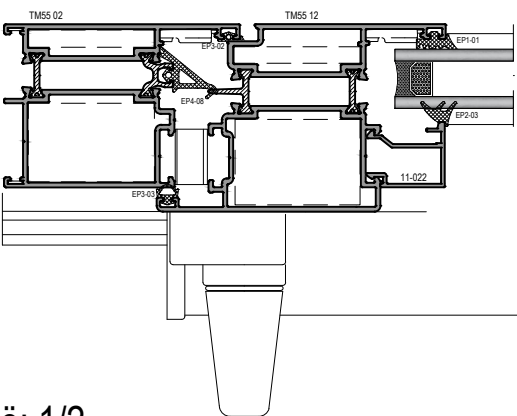
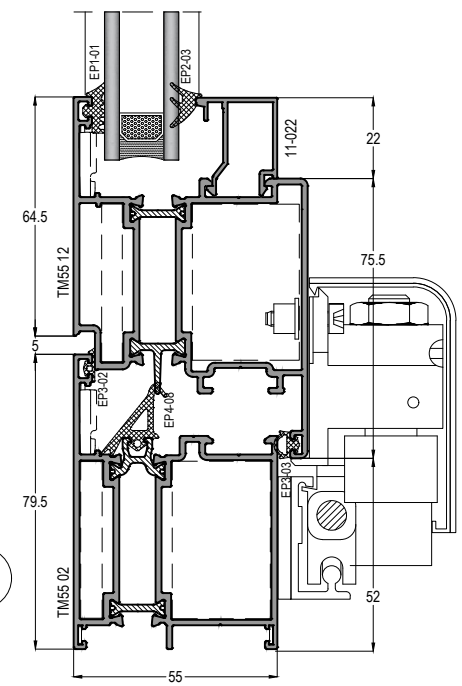
2



3

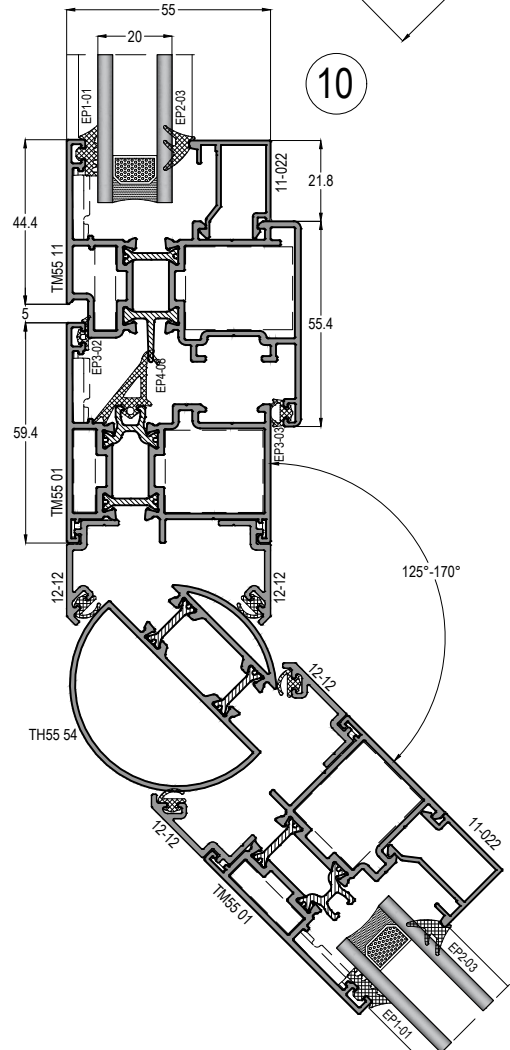
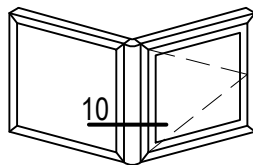
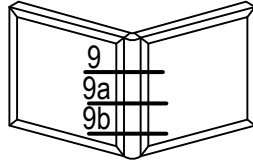
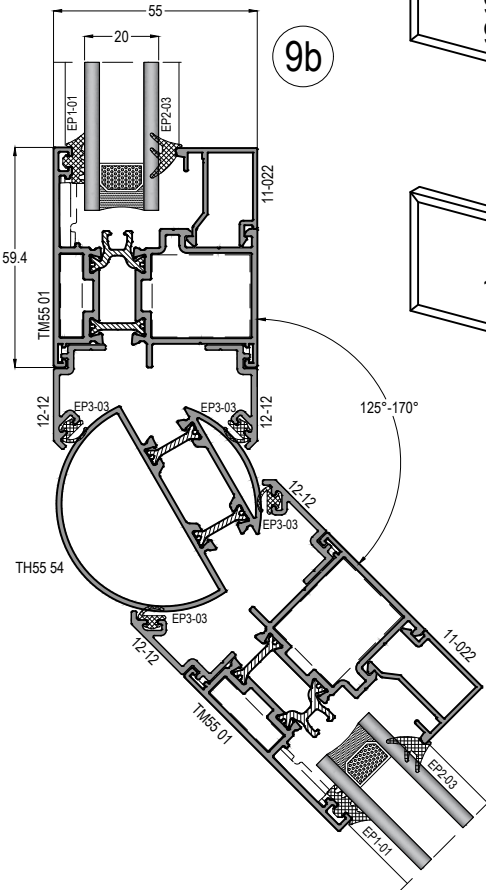
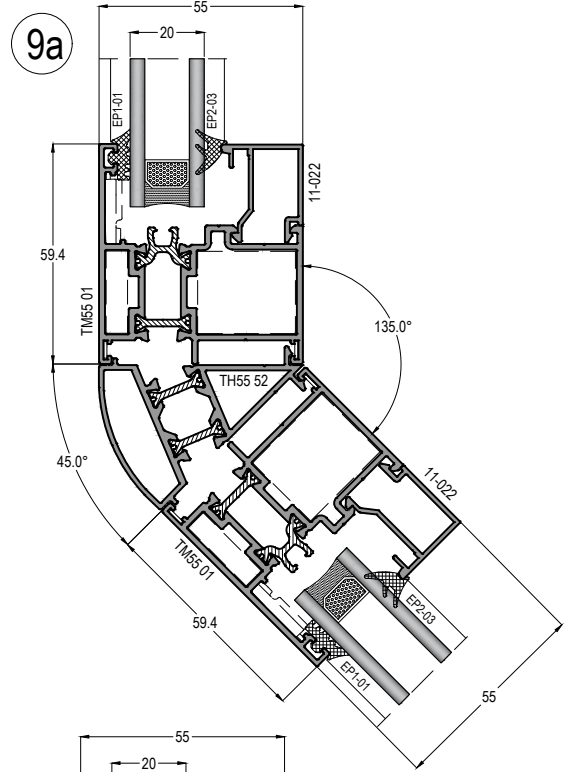
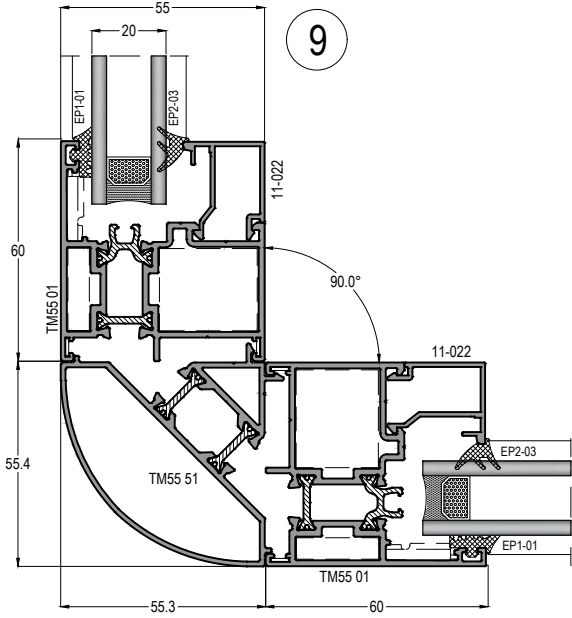


4



# TM55

YALITIMLI KAPI-PENCERE SİSTEMİ  
THERMAL WINDOW&DOOR SYSTEM

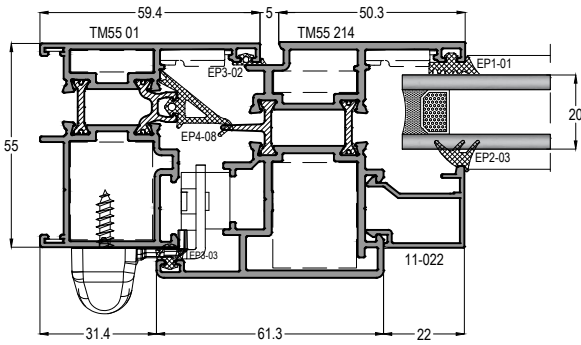




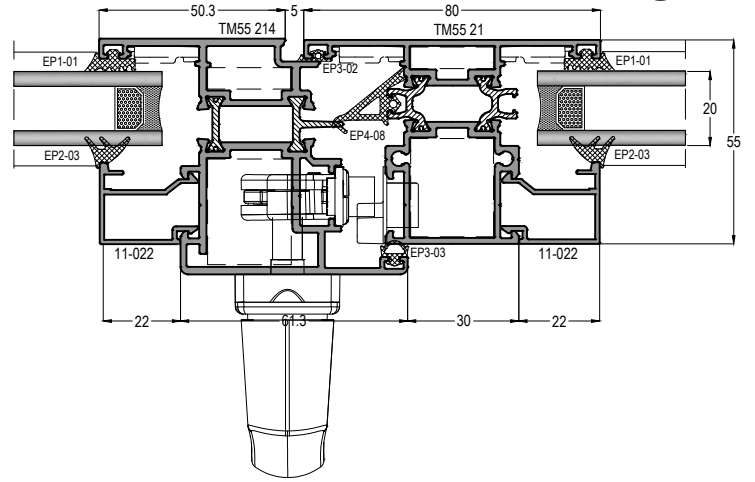
ÇOK NOKTADAN KİLİTLEME SİSTEM DETAYLARI  
(PVC AKSESUAR KANALLI)  
*MULTI POINT LOCKING SYSTEM DETAILS*

PENCERE AÇILIM DETAYLARI  
WINDOW OPENING DETAILS

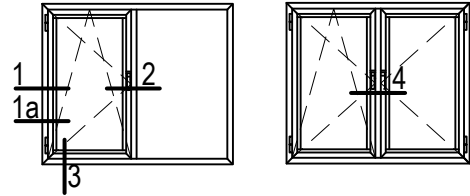
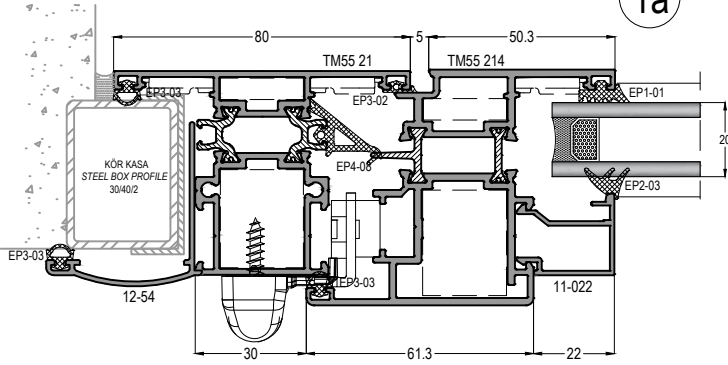
1



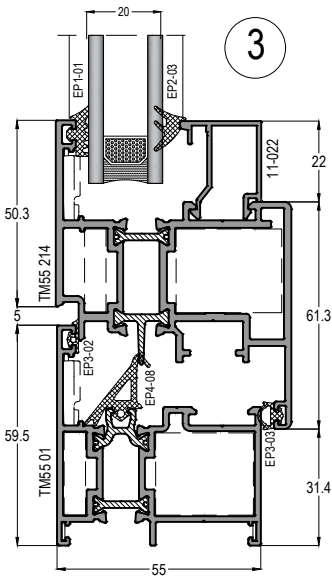
2



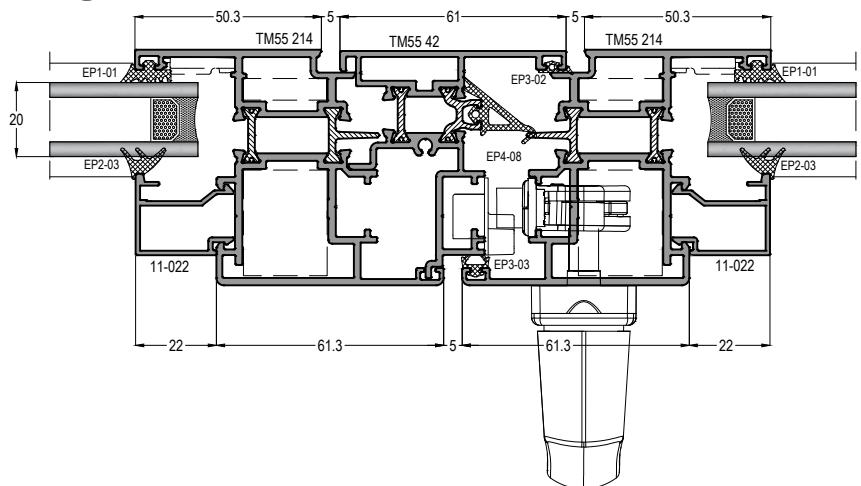
1a



3

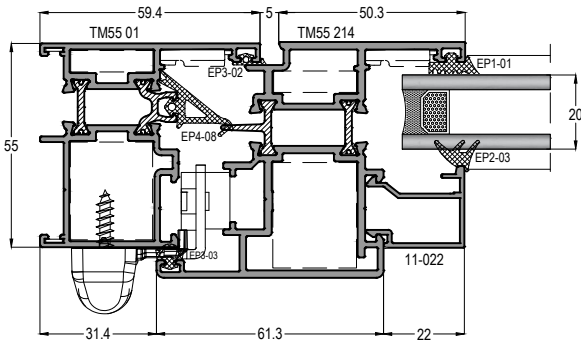


4

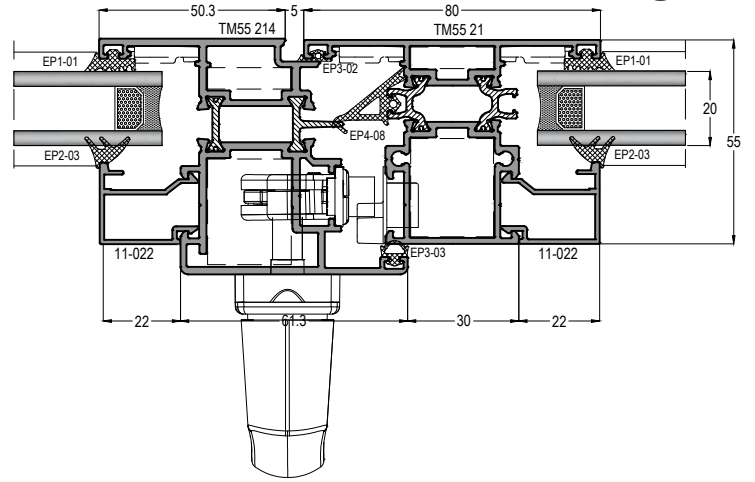


### PENCERE AÇILIM DETAYLARI WINDOW OPENING DETAILS

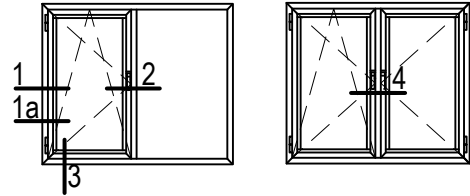
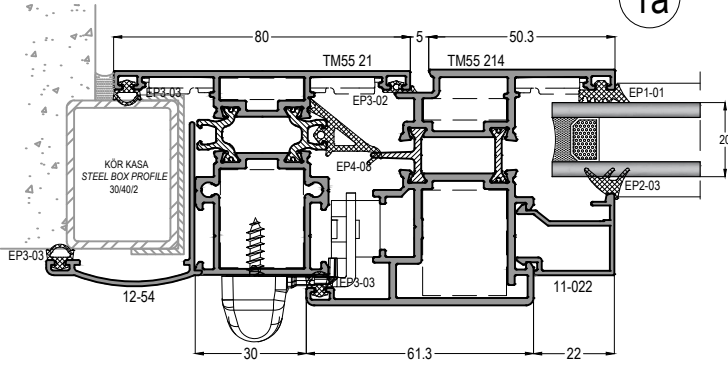
1



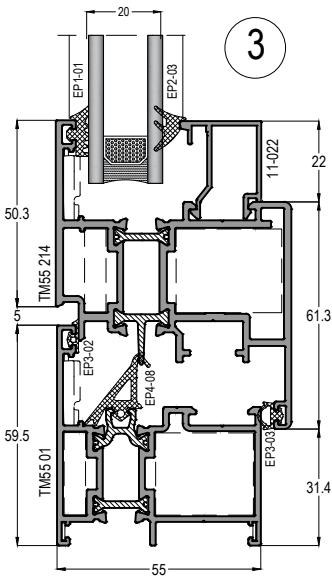
2



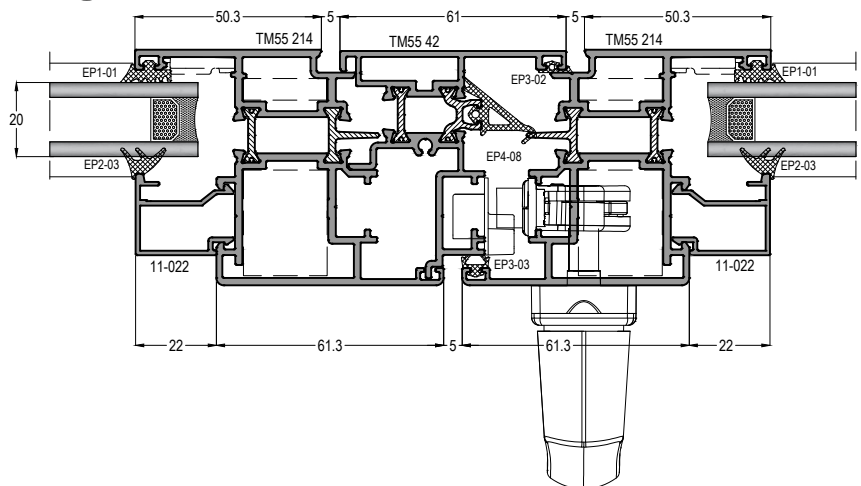
1a



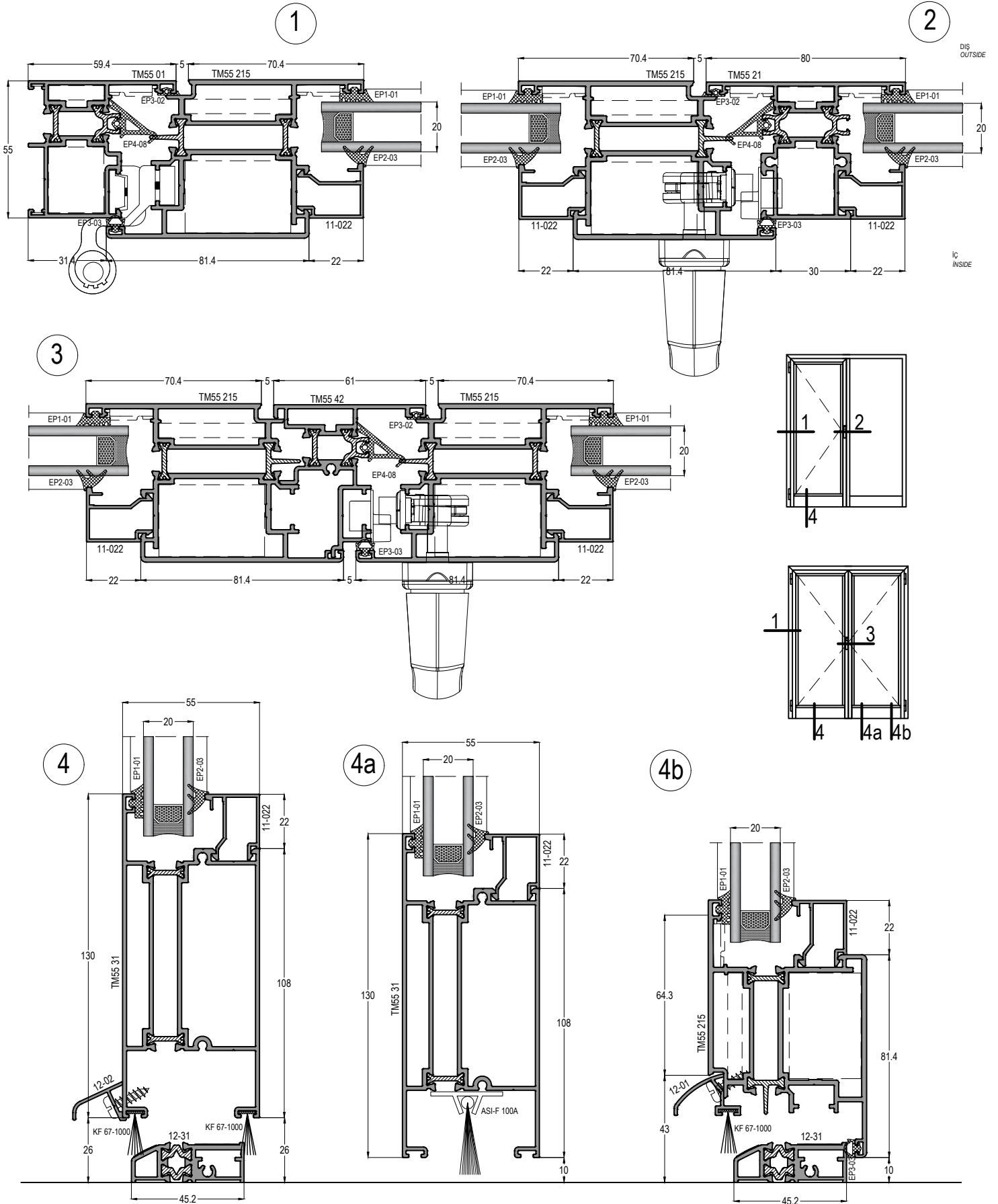
3



4



### İÇE AÇILIR KAPI DETAYLARI INNER OPENING DOOR DETAILS



**TM55**

YALITIMLI KAPI-PENCERE SİSTEMİ  
THERMAL WINDOW&DOOR SYSTEM

**ASISTAL**

KESİM ve MONTAJ  
*CUTTING & ASSEMBLY*

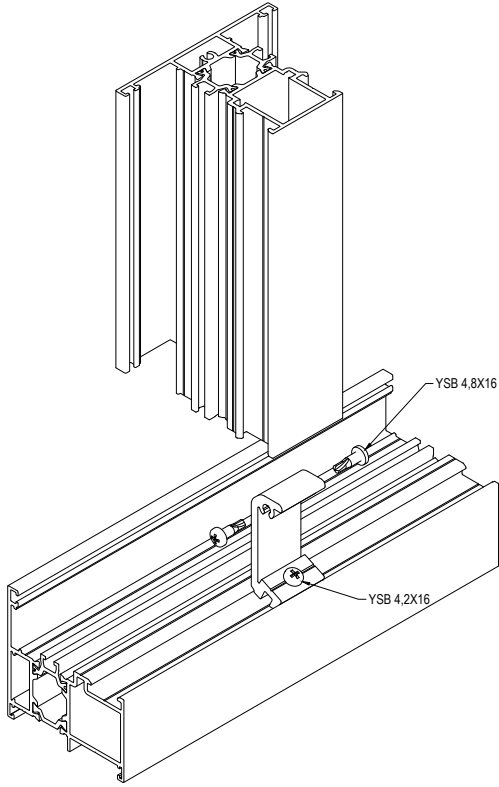
# TM55

YALITIMLI KAPI-PENCERE SİSTEMİ  
THERMAL WINDOW&DOOR SYSTEM

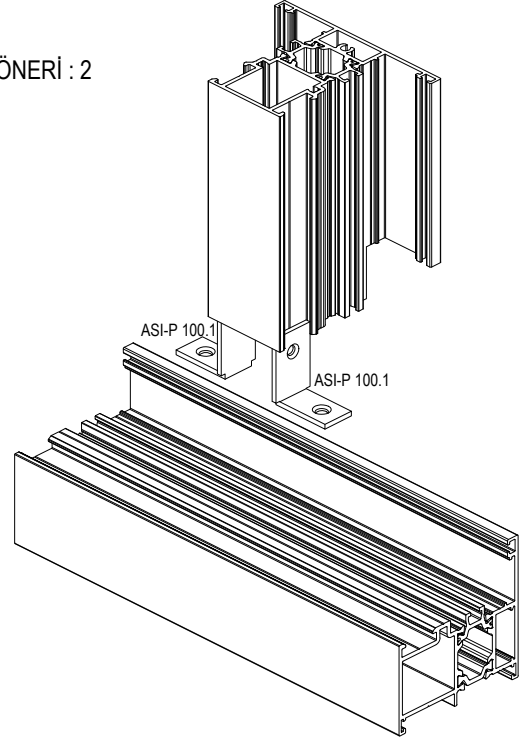
## ASISTAL

DİK (ORTA KAYIT) BAĞLANTI DETAYLARI  
T JOINT DETAILS

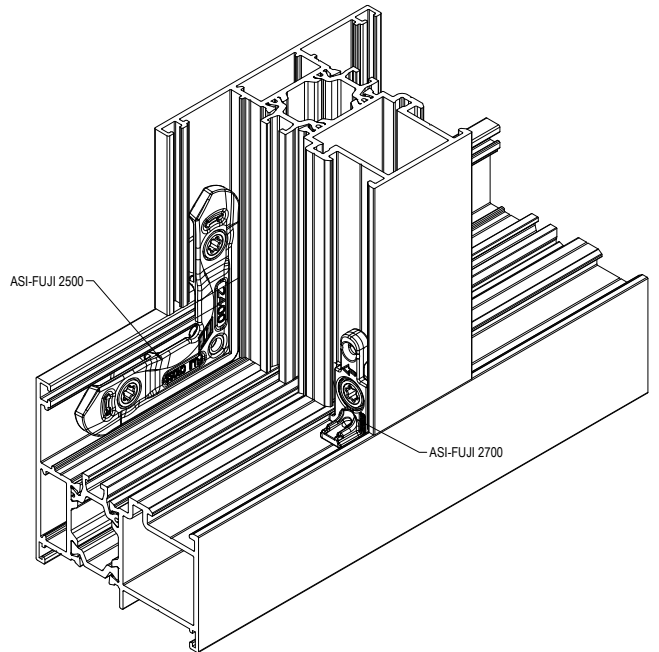
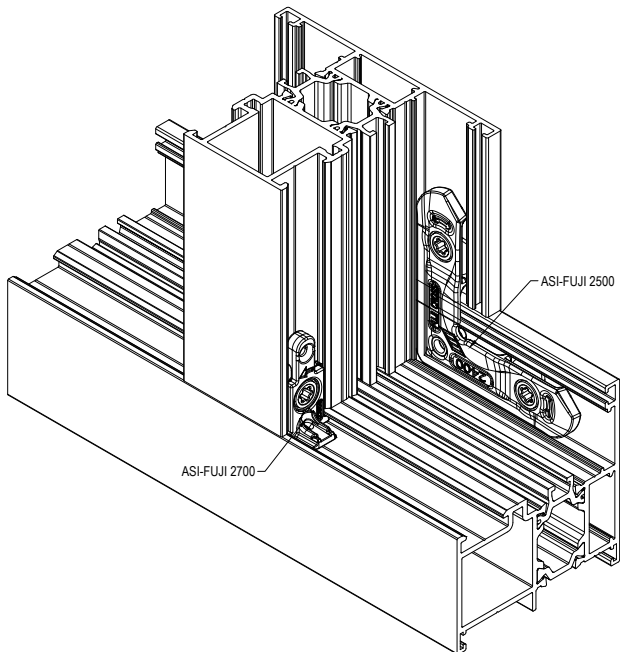
ÖNERİ : 1



ÖNERİ : 2



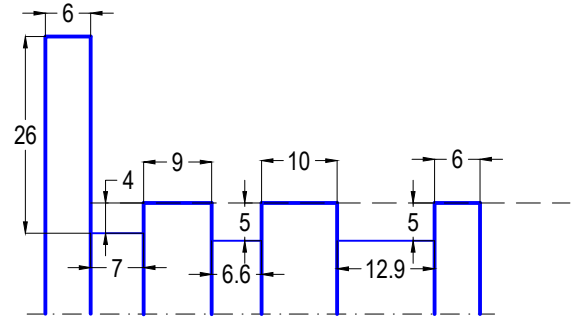
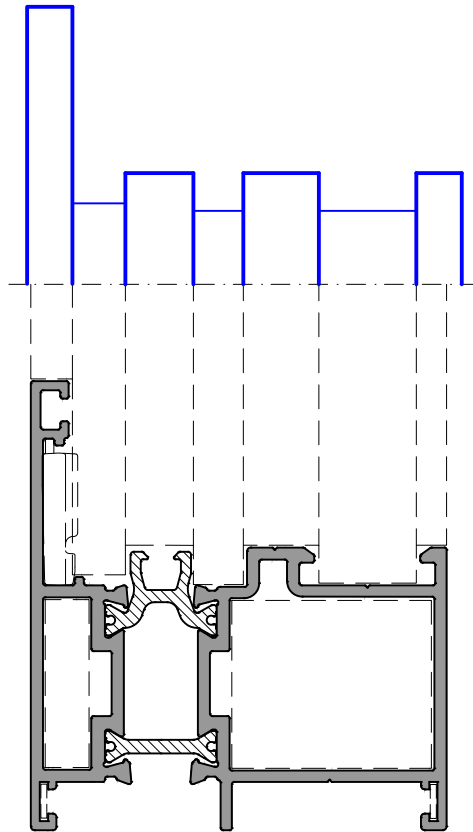
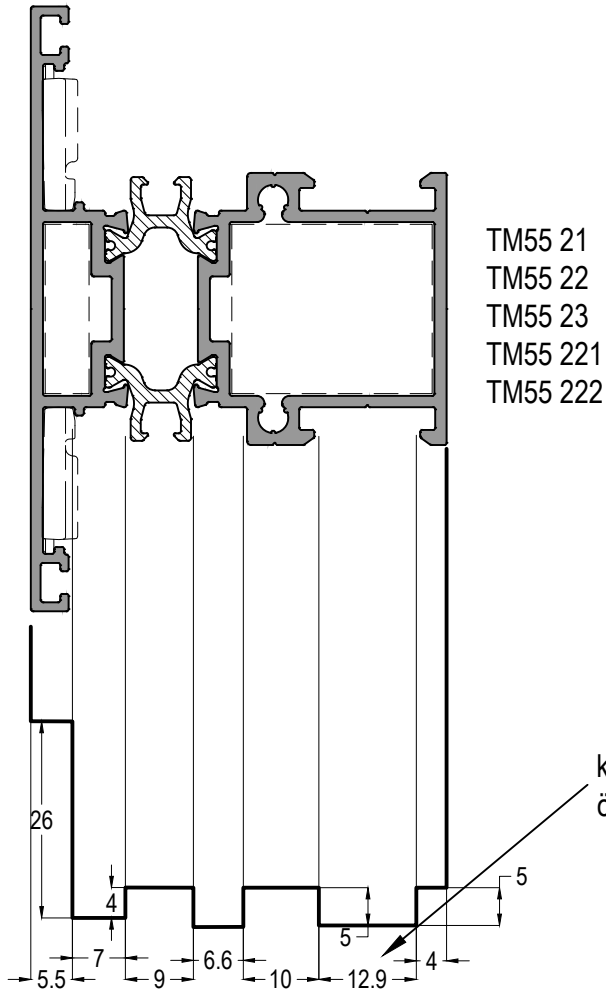
ÖNERİ : 3



# TM55

YALITIMLI KAPI-PENCERE SİSTEMİ  
THERMAL WINDOW&DOOR SYSTEM

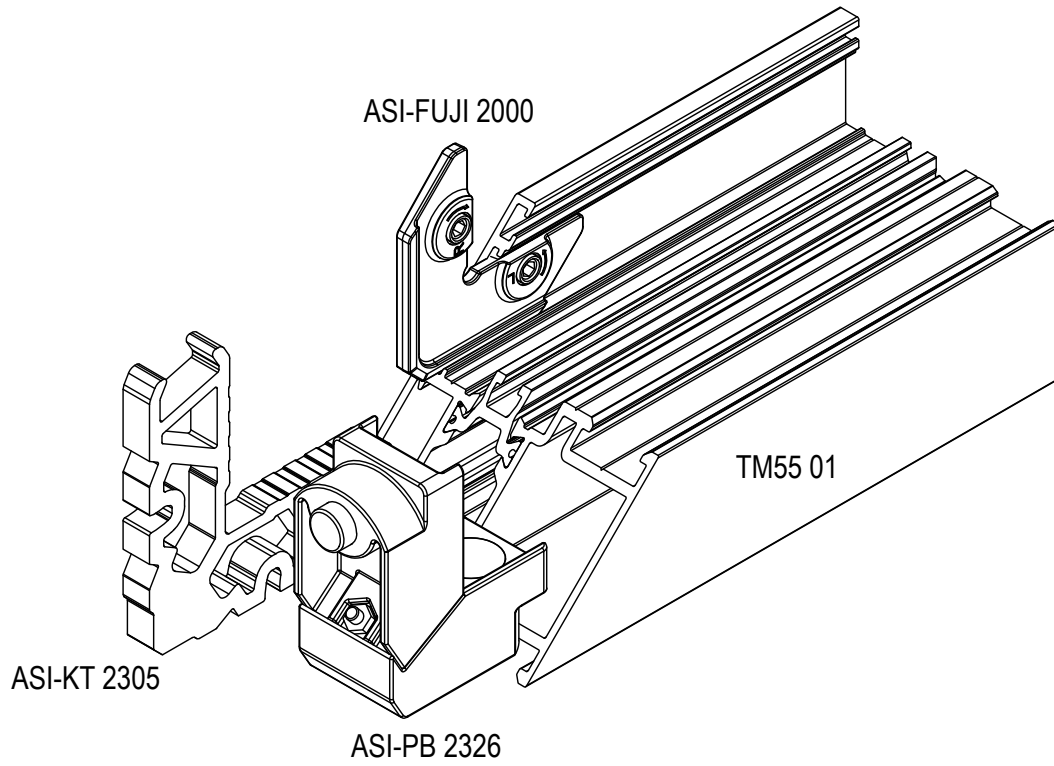
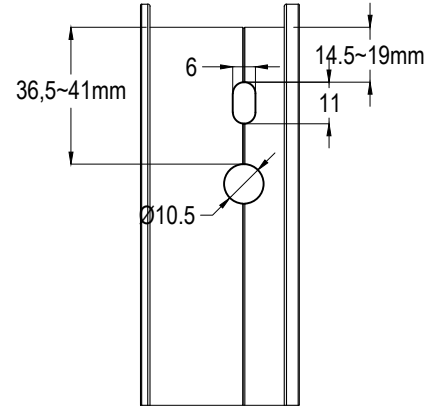
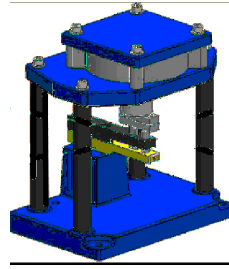
## ASISTAL



AKSU BIÇAK firmasına göre ölçülendirilmiştir.  
Dimensions are given AKSU BIÇAK company  
[www.aksubicak.com.tr](http://www.aksubicak.com.tr)

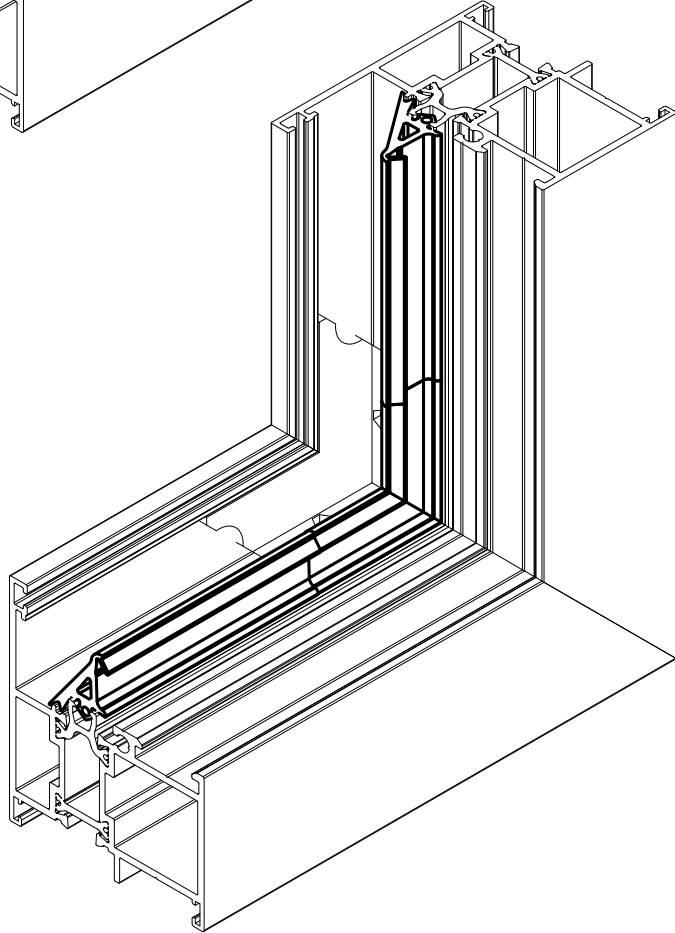
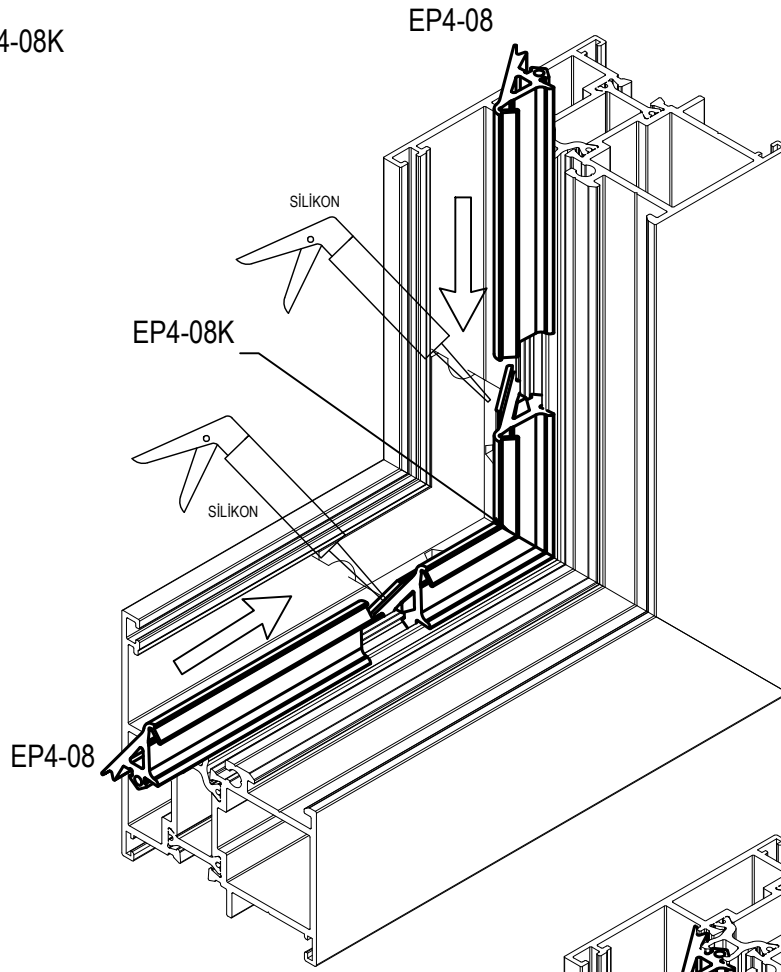
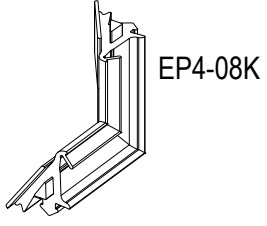
TM55 01  
TM55 02  
TM55 03  
TM55 201

501 EKO PANÇ



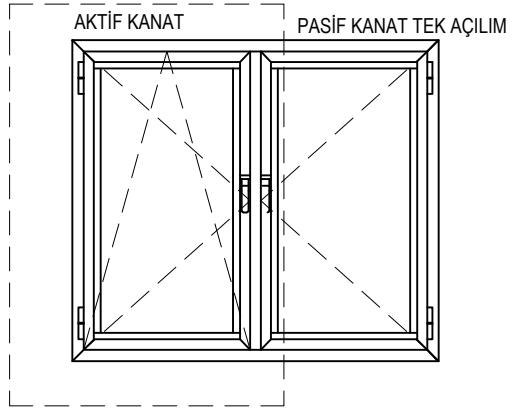
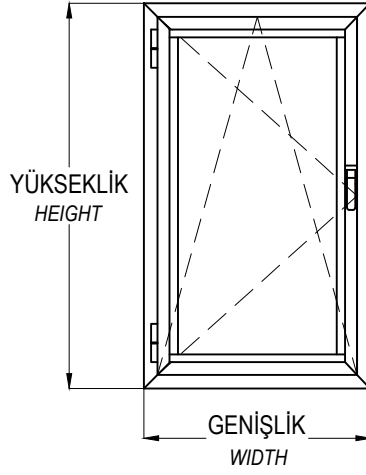
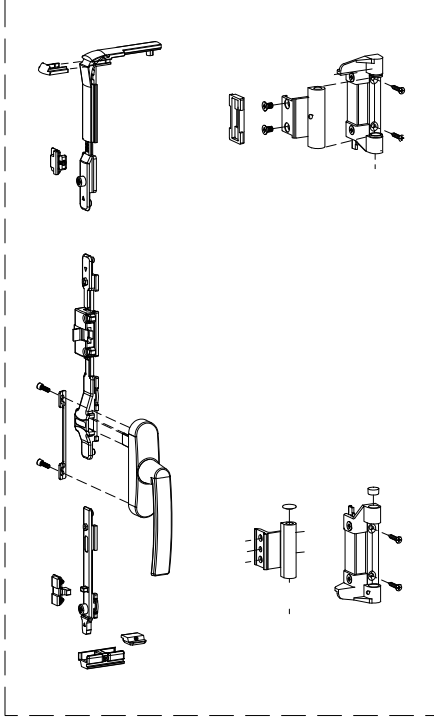





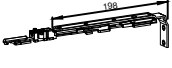



## KÖŞE VULKANİZE FİTİL MONTAJI



LAVAAL ÇİFT EKSEN AÇILIM AKSESUAR KULLANIM TABLOSU  
ALU - ALU TT  
LAVAAL TILT&TURN OPENING ACCESSORIES TABLE

STANDART KİT / ASI-LTT-S01



							
		ASI-LTT-S01	ASI-LTT-M01	ASI-LTT-M02	ASI-LTT-M03	ASI-LTT-M04	ASI-LTT-B01
KANAT GENİŞLİK / Sash Widht : 345-400mm		X	X				
KANAT GENİŞLİK / Sash Widht : 401-540mm		X		X			
KANAT GENİŞLİK / Sash Widht : 541-1100mm		X			X		
KANAT GENİŞLİK / Sash Widht : 1100-1500mm		X			X	X	
KANAT YÜKSEKLİK / Sash Height : < 1400mm							X

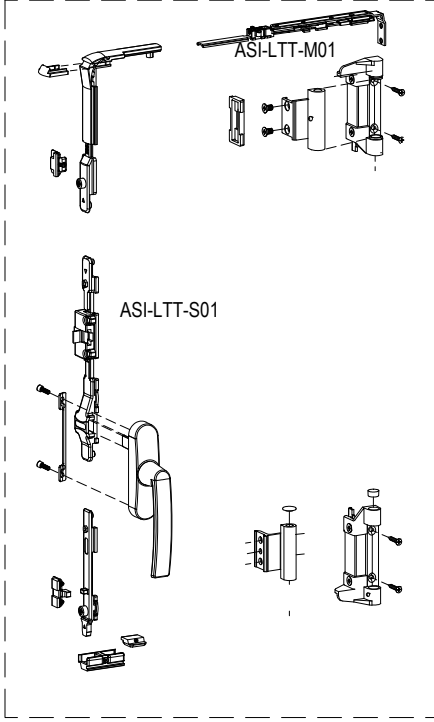
# TM55

YALITIMLI KAPI-PENCERE SİSTEMİ  
THERMAL WINDOW&DOOR SYSTEM

## ASISTAL

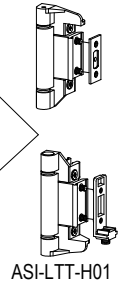
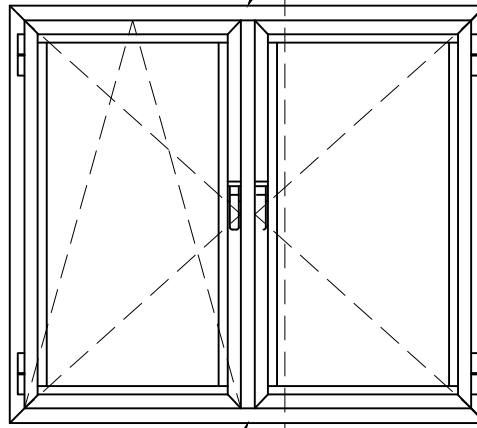
LAVAAL ÇİFT EKSEN AÇILIM ÇİFT KANAT AKSESUAR KULLANIM TABLOSU  
ALU - ALU TT  
LAVAAL TILT&TURN OPENING ACCESSORIES TABLE

STANDART KİT / ASI-LTT-S01



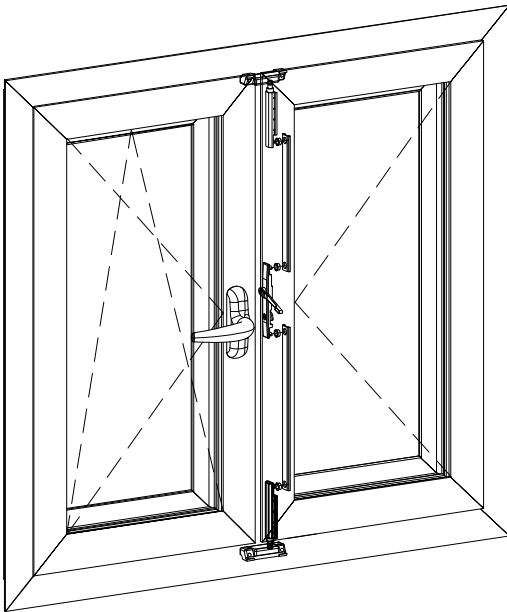
PASİF KANAT KİLİTLEME  
Single Sash locking

AKTİF KANAT PASİF KANAT TEK AÇILIM

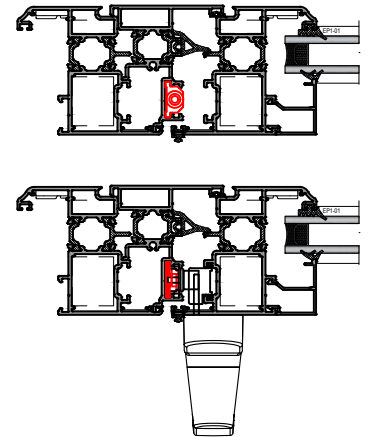
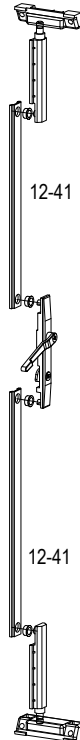


KANAT YÜKSELİĞİ >1400mm  
sash height >1400mm

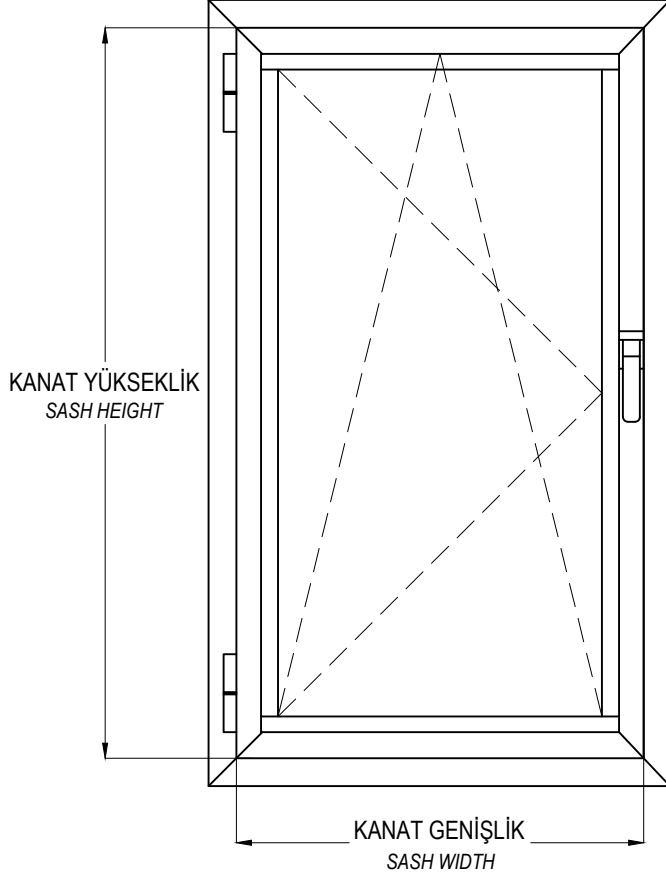
ASI-LTT-H02



ASI-LTT-K01



MULTI POINT SİSTEM (PVC KANALLI) ÇİFT EKSEN AÇILIM AKSESUAR TABLOSU  
MULTI POINT SYSTEM TILT&TURN OPENING ACCESSORIES TABLE

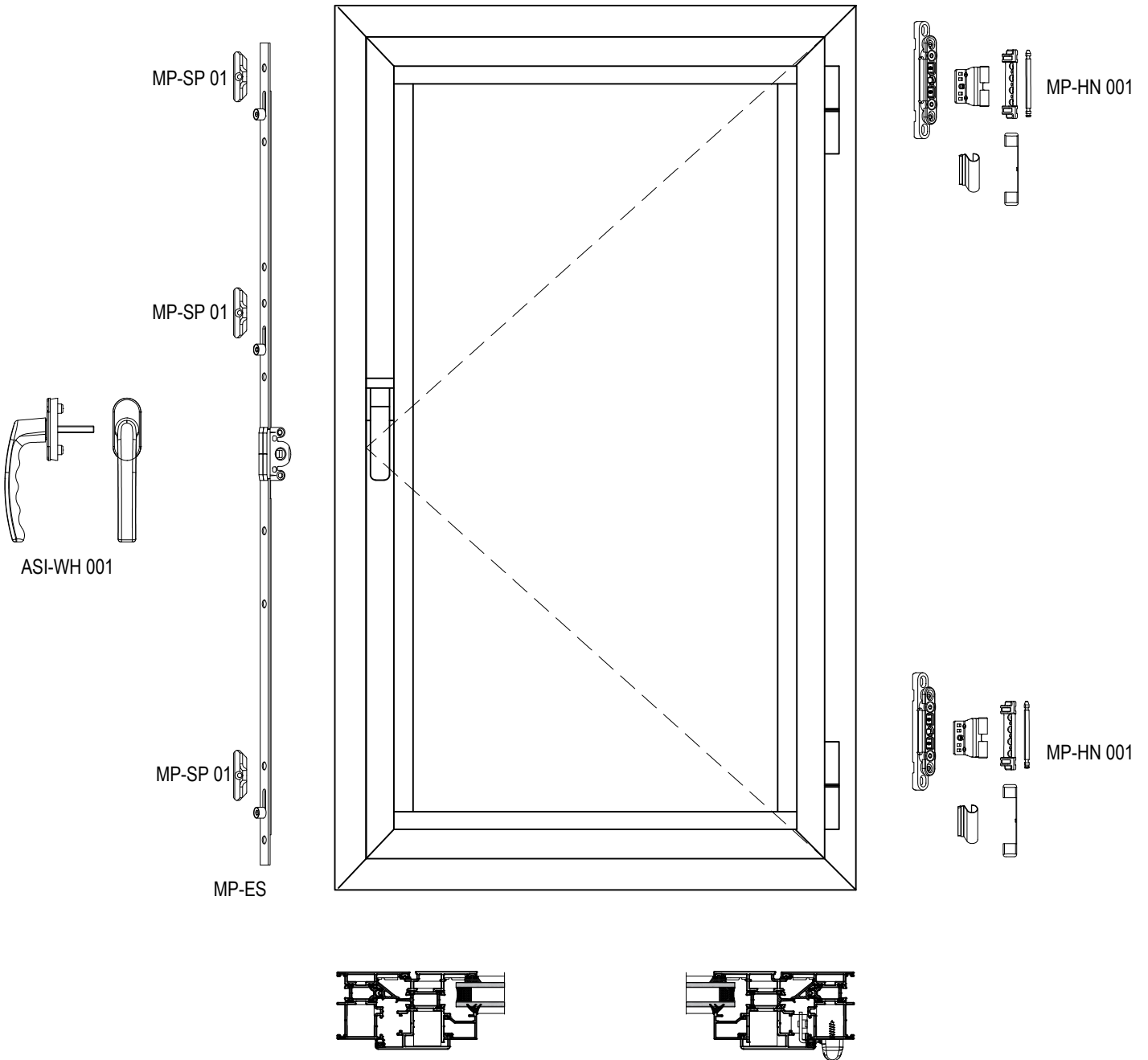


MULTI POINT (PVC KANALLI) KİLİTLEME AKSESUAR SEÇİM TABLOSU  
MULTI POINT SYSTEM ACCESSORIES TABLE

		GENİŞLİK - WIDTH				
		400-650mm	600-850mm	850-1100mm	1100-1350mm	1350mm-1600mm
YÜKSEKLİK- HEIGHT	450-700 mm	ASI-PVC TT 01	ASI-PVC TT 02	ASI-PVC TT 03	ASI-PVC TT 04	
	700-1200 mm	ASI-PVC TT 05	ASI-PVC TT 06	ASI-PVC TT 07	ASI-PVC TT 08	ASI-PVC TT 09
	1200-1400 mm	ASI-PVC TT 10	ASI-PVC TT 11	ASI-PVC TT 12	ASI-PVC TT 013	ASI-PVC TT 14
	1400-1700 mm	ASI-PVC TT 15	ASI-PVC TT 16	ASI-PVC TT 017	ASI-PVC TT 18	ASI-PVC TT 19
	1700-2400 mm	ASI-PVC TT 20	ASI-PVC TT 21	ASI-PVC TT 22	ASI-PVC TT 23	ASI-PVC TT 24



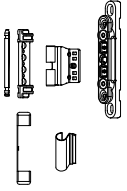
## MULTI POINT SİSTEM (PVC KANALLI) TEK EKSEN AÇILIM AKSESUARLARI MULTI POINT SYSTEM SINGLE OPENING ACCESSORIES



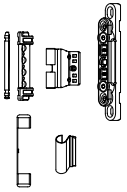


## MULTI POINT SİSTEM (PVC KANALLI) TEK KANAT AÇILIM KAPI AKSESUARLARI MULTI POINT SYSTEM INNER / OUTER OPENING DOOR ACCESSORIES

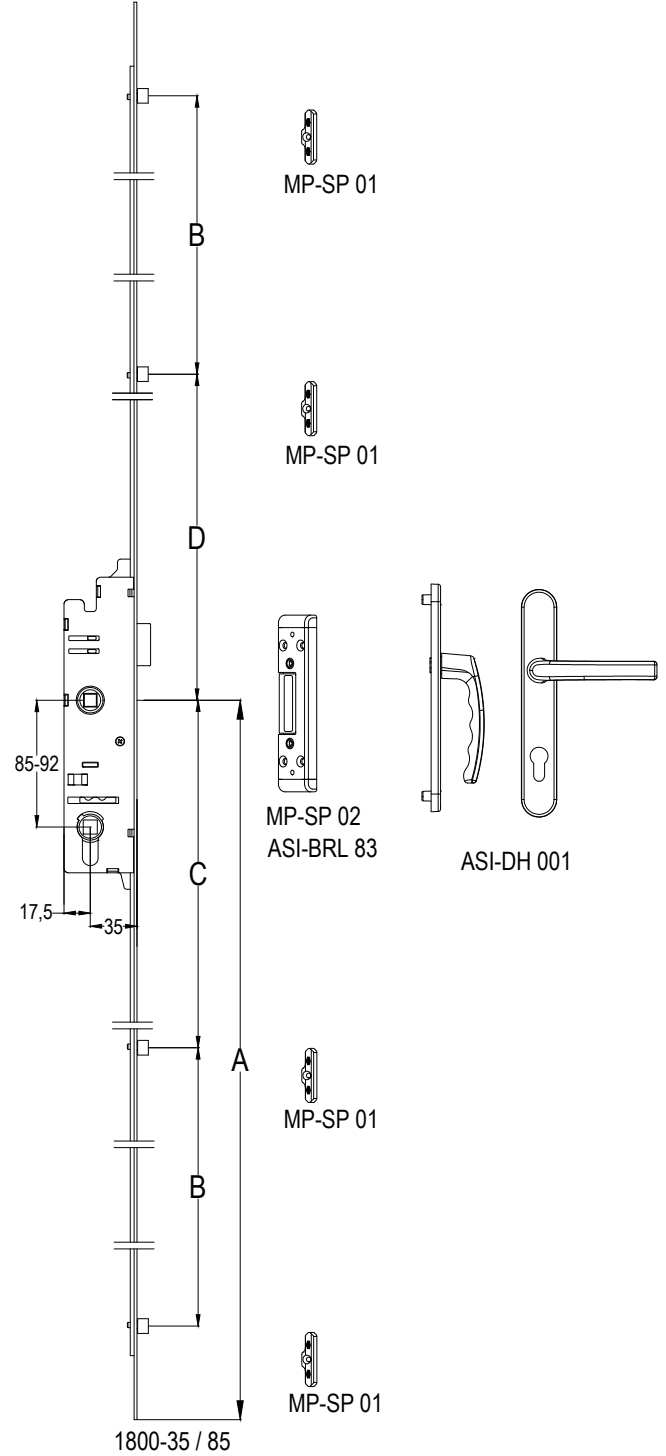
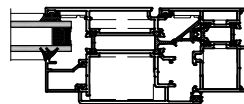
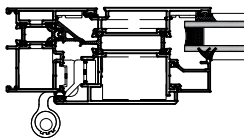
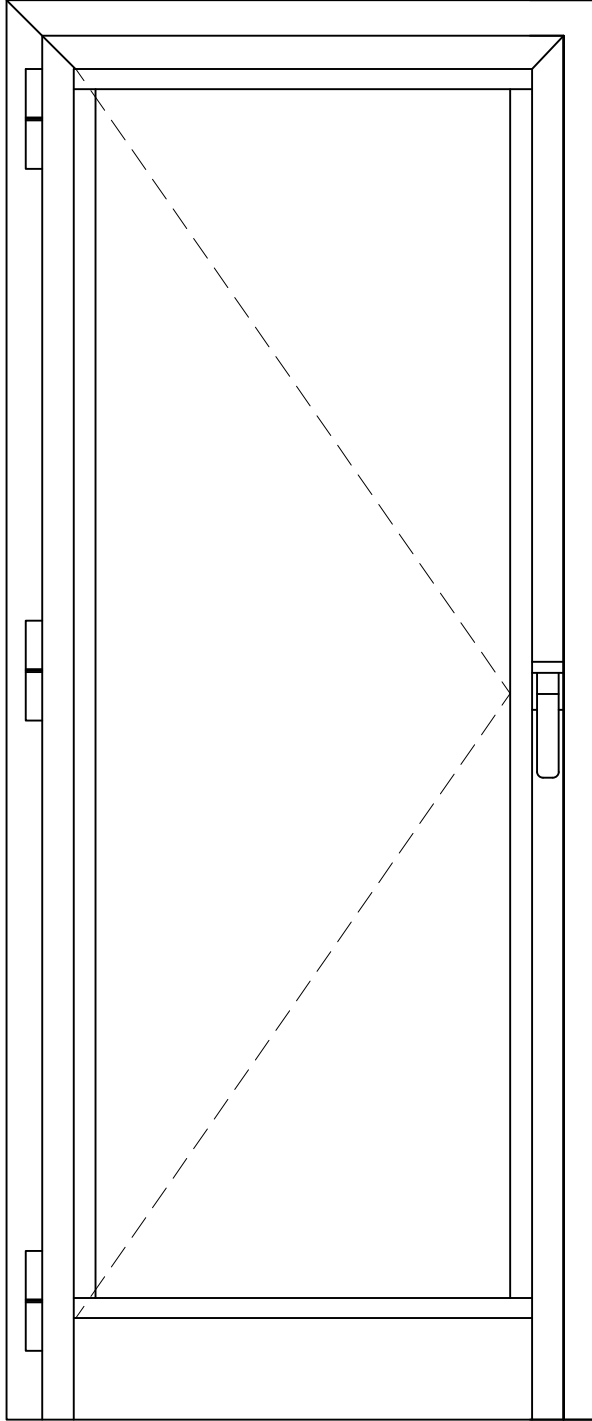
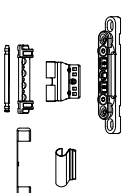
MP-HN 002



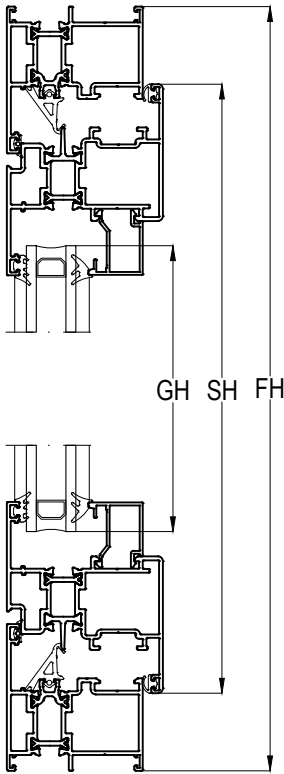
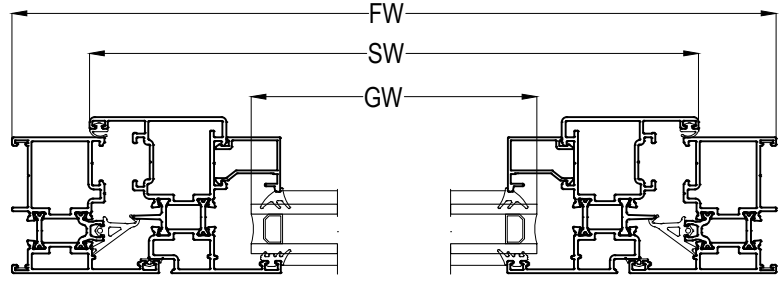
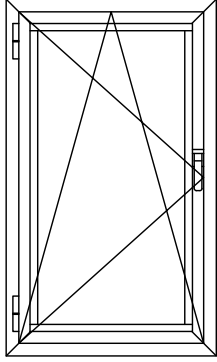
MP-HN 002



MP-HN 002



### TEK KANAT AÇILIM KESİM ÖLÇÜLERİ SINGLE SASH CUTTING SIZES

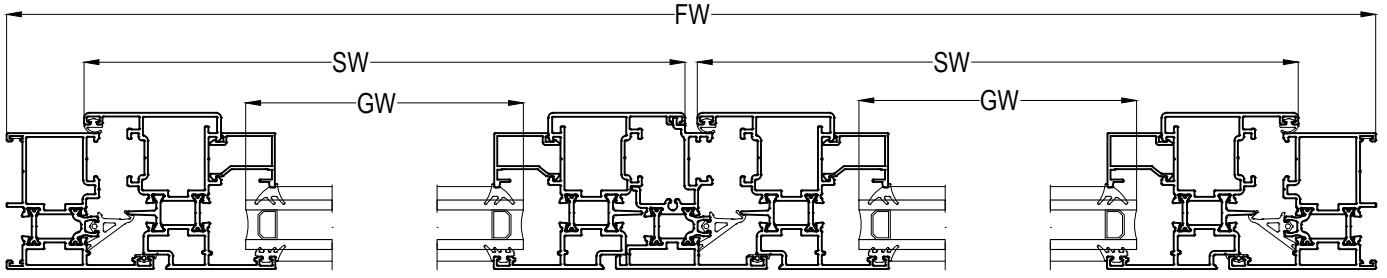


KASA PROFİLİ FRAME PROFILE	KANAT PROFİLİ SASH PROFILE	KESİM ÖLÇÜLERİ CUTTING SIZES
T M55 01	T M55 11	SW = FW - 62,8mm GW = SW - 120,4mm  SH = FH - 62,8mm GH = SH - 120,4mm
T M55 01	T M55 12 T M55 14	SW = FW - 62,8mm GW = SW - 160,6mm  SH = FH - 62,8mm GH = SH - 160,6mm
T M55 02	T M55 11	SW = FW - 103mm GW = SW - 120,4mm  SH = FH - 103mm GH = SH - 120,4mm
T M55 02	T M55 12 T M55 14	SW = FW - 103mm GW = SW - 160,6mm  SH = FH - 103mm GH = SH - 160,6mm
T M55 201	T M55 211	SW = FW - 64,8mm GW = SW - 122,8mm  SH = FH - 64,8mm GH = SH - 122,8mm
T M55 201	T M55 212	SW = FW - 64,8mm GW = SW - 163mm  SH = FH - 64,8mm GH = SH - 163mm

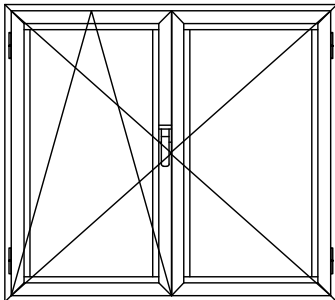
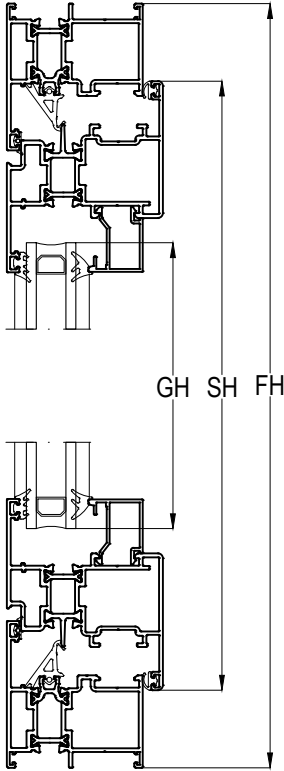
FW= KASA GENİŞLİĞİ / FRAME WIDTH  
SW= KANAT GENİŞLİĞİ / SASH WIDTH  
GW= CAM GENİŞLİĞİ / GLASS WIDTH

FH= KASA YÜKSEKLİĞİ / FRAME HEIGHT  
SH= KANAT YÜKSEKLİĞİ / SASH HEIGHT  
GH= CAM YÜKSEKLİĞİ / GLASS HEIGHT

### ÇİFT KANAT AÇILIM KESİM ÖLÇÜLERİ DOUBLE SASH CUTTING SIZES



ADAPTÖR PROFİLİ  
TM55 41 = SH - 66mm



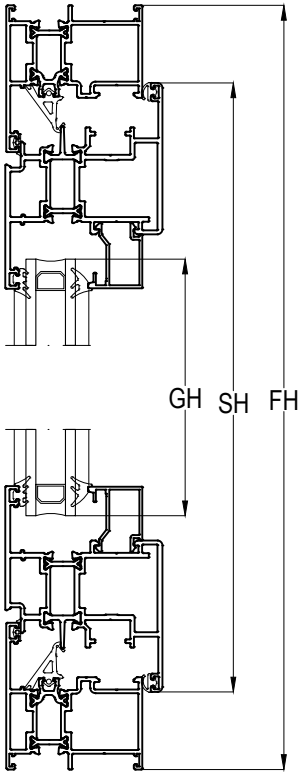
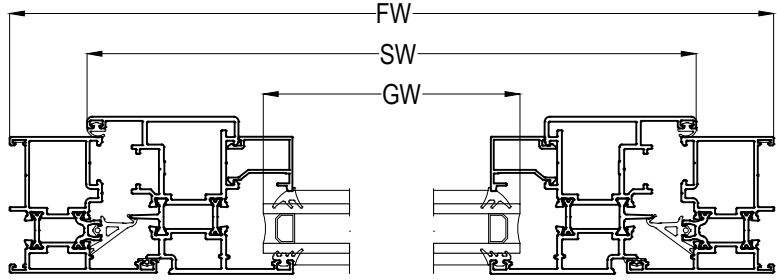
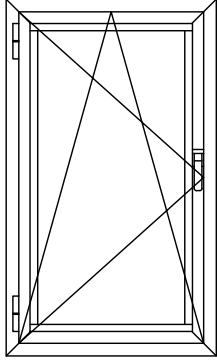
KASA PROFİLİ FRAME PROFILE	KANAT PROFİLİ SASH PROFILE	KESİM ÖLÇÜLERİ CUTTING SIZES
TM55 01	TM55 11	SW = FW / 2 - 33,9mm GW = SW - 120,4mm  SH = FH - 62,8mm GH = SH - 120,4mm
TM55 01	TM55 12 TM55 14	SW = FW / 2 - 33,9mm GW = SW - 160,6mm  SH = FH - 62,8mm GH = SH - 160,6mm
TM55 02	TM55 11	SW = FW / 2 - 54mm GW = SW - 120,4mm  SH = FH - 103mm GH = SH - 120,4mm
TM55 02	TM55 12 TM55 14	SW = FW / 2 - 54mm GW = SW - 160,6mm  SH = FH - 103mm GH = SH - 160,6mm
TM55 201	TM55 211	SW = FW / 2 - 34,9mm GW = SW - 122,8mm  SH = FH - 64,8mm GH = SH - 122,8mm
TM55 201	TM55 212	SW = FW / 2 - 34,9mm GW = SW - 163mm  SH = FH - 64,8mm GH = SH - 163mm

FW= KASA GENİŞLİĞİ / FRAME WIDTH  
SW= KANAT GENİŞLİĞİ / SASH WIDTH  
GW= CAM GENİŞLİĞİ / GLASS WIDTH

FH= KASA YÜKSEKLİĞİ / FRAME HEIGHT  
SH= KANAT YÜKSEKLİĞİ / SASH HEIGHT  
GH= CAM YÜKSEKLİĞİ / GLASS HEIGHT



### MULTI POINT (PVC KANALLI) TEK KANAT AÇILIM KESİM ÖLÇÜLERİ MULTI POINT SINGLE SASH CUTTING SIZES

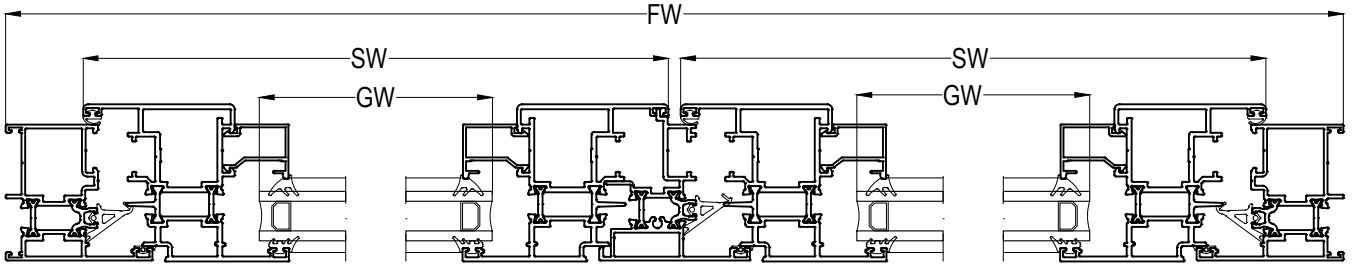


KASA PROFİLİ FRAME PROFILE	KANAT PROFİLİ SASH PROFILE	KESİM ÖLÇÜLERİ CUTTING SIZES
T M55 01	T M55 214	SW = FW - 62,8mm GW = SW - 132,6mm  SH = FH - 62,8mm GH = SH - 132,6mm
T M55 01	T M55 215	SW = FW - 62,8mm GW = SW - 172,8mm  SH = FH - 62,8mm GH = SH - 172,8mm
T M55 02	T M55 214	SW = FW - 103mm GW = SW - 132,6mm  SH = FH - 103mm GH = SH - 132,6mm
T M55 02	T M55 215	SW = FW - 103mm GW = SW - 172,8mm  SH = FH - 103mm GH = SH - 172,8mm

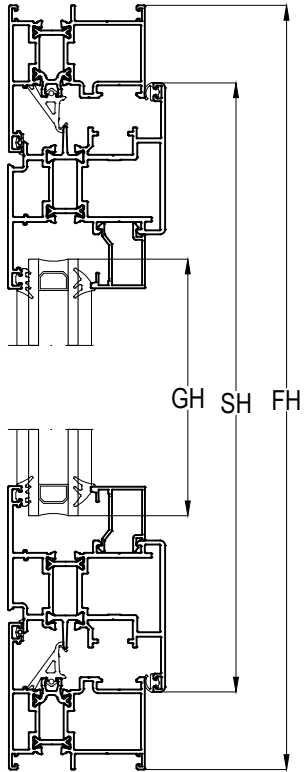
FW= KASA GENİŞLİĞİ / FRAME WIDTH  
SW= KANAT GENİŞLİĞİ / SASH WIDTH  
GW= CAM GENİŞLİĞİ / GLASS WIDTH

FH= KASA YÜKSEKLİĞİ / FRAME HEIGHT  
SH= KANAT YÜKSEKLİĞİ / SASH HEIGHT  
GH= CAM YÜKSEKLİĞİ / GLASS HEIGHT

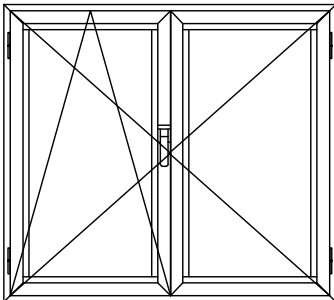
### MULTI POINT (PVC KANALLI) ÇİFT KANAT AÇILIM KESİM ÖLÇÜLERİ MULTI POINT DOUBLE SASH CUTTING SIZES



#### ADAPTÖR PROFİLİ TM55 42 = SH - 66mm



KASA PROFİLİ FRAME PROFILE	KANAT PROFİLİ SASH PROFILE	KESİM ÖLÇÜLERİ CUTTING SIZES
TM55 01	TM55 214	SW = FW/2 - 33,9mm GW = SW - 132,6mm  SH = FH - 62,8mm GH = SH - 132,6mm
TM55 01	TM55 215	SW = FW/2 - 33,9mm GW = SW - 172,8mm  SH = FH - 62,8mm GH = SH - 172,8mm
TM55 02	TM55 214	SW = FW/2 - 54mm GW = SW - 132,6mm  SH = FH - 103mm GH = SH - 132,6mm
TM55 02	TM55 215	SW = FW/2 - 54mm GW = SW - 172,8mm  SH = FH - 103mm GH = SH - 172,8mm



FW= KASA GENİŞLİĞİ / FRAME WIDTH  
SW= KANAT GENİŞLİĞİ / SASH WIDTH  
GW= CAM GENİŞLİĞİ / GLASS WIDTH

FH= KASA YÜKSEKLİĞİ / FRAME HEIGHT  
SH= KANAT YÜKSEKLİĞİ / SASH HEIGHT  
GH= CAM YÜKSEKLİĞİ / GLASS HEIGHT