

# **TH78 - THS78**

YALITIMLI KAPI-PENCERE SİSTEMİ  
THERMAL WINDOW&DOOR SYSTEM

**TÜRKAK**  
**TÜRK AKREDİTASYON KURUMU**  
TURKISH ACCREDITATION AGENCY  
tarafından akredite edilmiş

**FTI Fasad Teknoloji Merkezi / FTI Façade Testing Institute**

Merkez / Head Office  
Ata İnan Cad. No:150 - PK. 34730 Kat:2 Kat:2 - Beşiktaş / İstanbul / TÜRKİYE  
Tel: +90 212 379 50 00 Fax: +90 212 379 50 21 e-mail: info@turkakk.com

Laboratuvar / Laboratory  
Çiğdem Üstüncü Sok. No:100 - Kat:1 Kat:1 - Beşiktaş / İstanbul / TÜRKİYE  
Tel: +90 212 379 10 20 Fax: +90 212 379 10 50 00 e-mail: info@turkakk.com

**DENEY SERTİFİKASI / Test Certificate**

**Müşterinin Adı ve Adresi / Customer's Name & Address:** Asist Alüminyum Profil San. ve Tic. A.Ş.  
Kırkbelirli OSB. 2.Cadde No:2 Kızılköyler / Kırkbelirli / TÜRKİYE

**Referans No / Reference No:** 2016.565

**Namünün Adı ve Tanımı / Sample's Name & Description:** Asistal TH 78 Door and Window System  
(Tİ & TİM)

**Namünün Kabul Tarihi / Receipt Date of Test Item:** 02 / 03 / 2016

**Uygulanan Normlar / Norms Applied:** TS EN 14351-1+A1, TS EN 1026, TS EN 1027, TS 4644 EN 12211

**Sonuçlar / Results:**  
TS EN 12207 - Air Permeability - Class 4 ( 600Pa )  
TS EN 12208 - Watertightness - Class 9A ( 600Pa )  
TS EN 12210 - Resistance to Wind Load - Class C3 ( 1200Pa )  
TS EN 12210 - Resistance to Safety Load : OK ( 1800Pa )

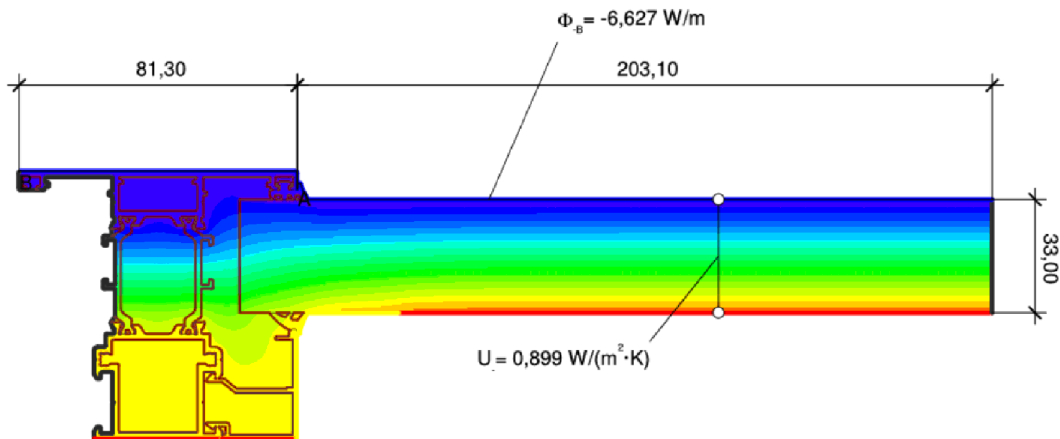
**Test Tarihi / Date of Test:** 04 / 03 / 2016 **Sayfa Sayısı / Number of Pages:** 1 / 17

Türk Akreditasyon Kurumu (TÜRKAK) deney raporlarını uluslararası standartlarda Avrupa Akreditasyon Birliği (EA) ve Uluslararası Laboratuvar Akreditasyon Birliği (ILAC) ile karşılıklı anlaşmalarla tanımlanmıştır.  
The Turkish Accreditation Agency (TÜRKAK) is signatory to the multilateral agreements of the European co-operation for the Accreditation (EA) and of the International Laboratory Accreditation (ILAC) for the Mutual recognition of test reports.

Uygulanan metodlar, test sonuçları ve güvenilirliği ilgili belgelerde (test raporları, bu sertifikasyon raporlarında) kesin olan takip eden sayfada verilmektedir. Bu sertifikasyon raporları test edilen numuneye ait sonuçları içerir ve diğer sonuçlar ilgili test raporları ile birlikte sunulmaktadır.  
The applied methods, test results and the uncertainties (if reported) with confidence probability are given on the following pages which are part of this report. The certificate includes the test specimens which is identified above and is valid with the related test report which is processed or annex.

**Müşteri / Client:** Asistal **Tarih / Date:** 12 / 03 / 2016 **Test Yöneticisi / Test Manager:** S. Ç. ÖLAK **Laboratuvar Müdürü / Laboratory Manager:** Ömer AFRAN

This report is confidential and shall remain the property of the customer. It shall not be reproduced or used in any manner without the prior written permission of the issuing laboratory. The report shall not be reproduced other than in full except with the permission of the issuing laboratory without alteration and used as set out.

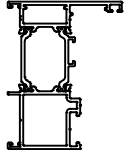
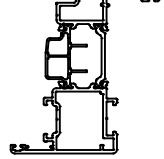
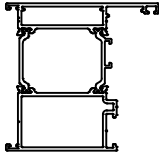
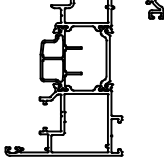
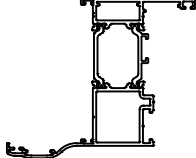
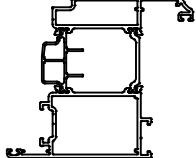
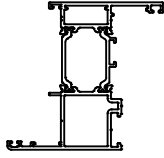
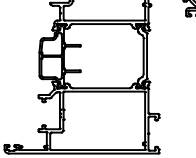
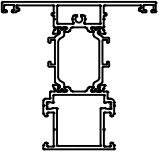
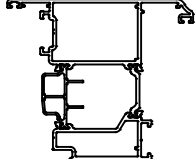
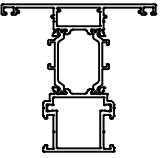
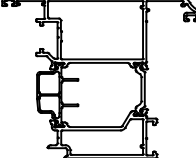
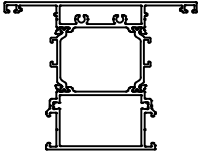
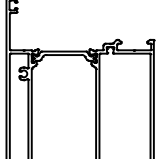
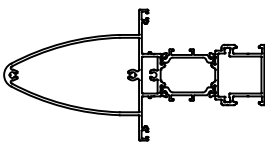

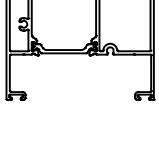
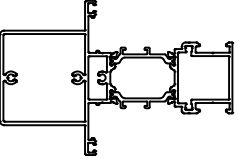
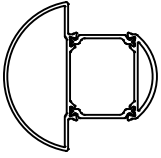
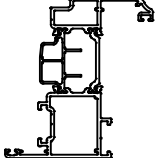
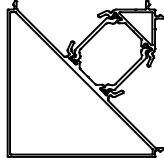


$$U_{f,AB} = \frac{\Phi}{\Delta T} - U_p \cdot b_p = \frac{6,627}{20,000} - 0,899 \cdot 0,203 = \frac{0,33135}{0,081} = 4,0784 \text{ W/(m}^2 \cdot \text{K)}$$

Uf değeri cam Ug değerine göre değişkenlik gösterir  
Uf value can be cahnage according to the glass Ug value

**PROFİL VE AKSESUAR LİSTELERİ**  
*PROFILE & ACCESSORIES LISTS*

## PROFİL LİSTESİ - PROFILES LIST

TH78 01	Jx cm <sup>4</sup>	Jy cm <sup>4</sup>		TH78 18	Jx cm <sup>4</sup>	Jy cm <sup>4</sup>	
	45,72	12,61			62,90	17,32	
KASA PROFİLİ-60 mm FRAME PROFILE	AĞIRLIK / Weight			KANAT PROFİLİ SASH PROFILE	AĞIRLIK / Weight		
	1,588 kg/mt				1,828 kg/mt		
TH78 02	Jx cm <sup>4</sup>	Jy cm <sup>4</sup>		TH78 14	Jx cm <sup>4</sup>	Jy cm <sup>4</sup>	
	58,71	35,34			67,53	24,33	
KASA PROFİLİ-80 mm FRAME PROFILE	AĞIRLIK / Weight			KANAT PROFİLİ MULTI POINT SİSTEM SASH PROFILE-MULTI POINT	AĞIRLIK / Weight		
	1,959 kg/mt				1,964 kg/mt		
TH78 03	Jx cm <sup>4</sup>	Jy cm <sup>4</sup>		TH78 12	Jx cm <sup>4</sup>	Jy cm <sup>4</sup>	
	60,71	26,87			78,72	48,38	
PERVAZLI KASA PROFİLİ FRAME PROFILE	AĞIRLIK / Weight			İÇE AÇILIR KAPI KANAT PROFİLİ INNER OPENING DOOR SASH PROFILE	AĞIRLIK / Weight		
	1,770 kg/mt				2,240 kg/mt		
TH78 04	Jx cm <sup>4</sup>	Jy cm <sup>4</sup>		TH78 15	Jx cm <sup>4</sup>	Jy cm <sup>4</sup>	
	54,05	18,25			82,88	57,68	
PERVAZLI KASA PROFİLİ FRAME PROFILE	AĞIRLIK / Weight			İÇE AÇILIR KAPI KANAT PROFİLİ-MULTI POINT INNER OPENING DOOR SASH PROFILE-MULTI POINT	AĞIRLIK / Weight		
	1,723 kg/mt				2,358 kg/mt		
TH78 21	Jx cm <sup>4</sup>	Jy cm <sup>4</sup>		TH78 13	Jx cm <sup>4</sup>	Jy cm <sup>4</sup>	
	51,99	18,69			77,57	48,50	
ORTA KAYIT PROFİLİ 81 mm (vidalı) TRANSOM-MULLION PROFILE	AĞIRLIK / Weight			DIŞA AÇILIR KAPI KANAT PROFİLİ OUTWARD OPENING DOOR SASH PROFILE	AĞIRLIK / Weight		
	1,795 kg/mt				2,269 kg/mt		
TH78 22	Jx cm <sup>4</sup>	Jy cm <sup>4</sup>		TH78 16	Jx cm <sup>4</sup>	Jy cm <sup>4</sup>	
	51,41	18,72			81,87	58,04	
ORTA KAYIT PROFİLİ 81 mm TRANSOM-MULLION PROFILE	AĞIRLIK / Weight			DIŞA AÇILIR KAPI KANAT PROFİLİ-MULTI POINT OUTWARD OPENING DOOR SASH PROFILE-MULTI POINT	AĞIRLIK / Weight		
	1,763 kg/mt				2,390 kg/mt		
TH78 23	Jx cm <sup>4</sup>	Jy cm <sup>4</sup>		TH78 31	Jx cm <sup>4</sup>	Jy cm <sup>4</sup>	
	66,23	47,51			136,54	92,88	
ORTA KAYIT PROFİLİ 102 mm TRANSOM-MULLION PROFILE	AĞIRLIK / Weight			ETEK PROFİLİ-130 mm BOTTOM PLATE PROFILE	AĞIRLIK / Weight		
	2,225 kg/mt				2,905 kg/mt		
TH78 24	Jx cm <sup>4</sup>	Jy cm <sup>4</sup>		TH78 30			
	223,24	29,97			AĞIRLIK / Weight		
TAKVİYELİ ORTA KAYIT PROFİLİ SUPPORTED MULLION PROFILE	AĞIRLIK / Weight			EŞİK PROFİLİ BOTTOM RAIL PROFILE	AĞIRLIK / Weight		
	2,845 kg/mt				1,107 kg/mt		
TH78 25	Jx cm <sup>4</sup>	Jy cm <sup>4</sup>		TH78 52	Jx cm <sup>4</sup>	Jy cm <sup>4</sup>	
	135,67	29,50			31,05	43,95	
TAKVİYELİ ORTA KAYIT PROFİLİ SUPPORTED MULLION PROFILE	AĞIRLIK / Weight			EKSENEL DÖNÜŞ PROFİLİ CORNER PROFILE	AĞIRLIK / Weight		
	2,615 kg/mt				1,751 kg/mt		
TH78 11	Jx cm <sup>4</sup>	Jy cm <sup>4</sup>		TH78 53	Jx cm <sup>4</sup>	Jy cm <sup>4</sup>	
	63,31	19,21			44,84	52,74	
KANAT PROFİLİ SASH PROFILE	AĞIRLIK / Weight			90° KÖŞE PROFİLİ CORNER PROFILE	AĞIRLIK / Weight		
	1,845 kg/mt				1,909 kg/mt		

\* Sipariş öncesi kalıp bilgisi kontrol edilmeli / must be check profile mold before the order

Profil ağırlıklarımız teorik olup; teslim anındaki tartımız geçerlidir.



# TH78 - THS78 - 1,8mm/2mm

YALITIMLI KAPI-PENCERE SİSTEMİ  
THERMAL WINDOW&DOOR SYSTEM



## PROFİL LİSTESİ - PROFILES LIST

## PROFİL LİSTESİ "S" SERİSİ - PROFILES LIST "S" SERIES

TH78 41			THS78 11		Jx cm <sup>4</sup>	Jy cm <sup>4</sup>	
ÇİFT KANAT ADAPTÖR PROFİLİ DOUBLE SASH ADAPTER PROFILE			KANAT PROFİLİ-DÜZ SASH PROFILE-FLAT		64,56	20,31	
AĞIRLIK / Weight			THS78 14		Jx cm <sup>4</sup>	Jy cm <sup>4</sup>	
1,377 kg/mt			KANAT PROFİLİ-DÜZ MULTI POINT SİSTEM SASH PROFILE-MULTI POINT		68,77	25,58	
TH78 42			THS78 12		Jx cm <sup>4</sup>	Jy cm <sup>4</sup>	
ÇİFT KANAT ADAPTÖR PROFİLİ-MULTI POINT DOUBLE SASH ADAPTER PROFILE - MULTI POINT			İÇE AÇILIR KAPI KANAT PROFİLİ-DÜZ INNER OPENING DOOR SASH PROFILE-FLAT		79,89	50,09	
AĞIRLIK / Weight			THS78 15		Jx cm <sup>4</sup>	Jy cm <sup>4</sup>	
1,399 kg/mt			İÇE AÇILIR KAPI KANAT PROFİLİ-MULTI POINT INNER OPENING DOOR SASH PROFILE-MULTI POINT		84,10	59,64	
TH78 43			THS78 13		Jx cm <sup>4</sup>	Jy cm <sup>4</sup>	
DIŞA AÇILIR KAPI ADAPTÖR PROFİLİ OUTWARD OPENING DOOR ADAPTER PROFILE			DIŞA AÇILIR KAPI KANAT PROFİLİ - DÜZ OUTWARD OPENING DOOR SASH PROFILE		78,73	50,17	
AĞIRLIK / Weight			THS78 17		AĞIRLIK / Weight		
1,461 kg/mt			DIŞA AÇILIR PENCERE KANAT PROFİLİ - DÜZ OUTWARD OPENING DOOR SASH PROFILE		2,049 kg/mt		
12-52			THS78 16		Jx cm <sup>4</sup>	Jy cm <sup>4</sup>	
PERVAZ PROFİLİ BORDER PROFILE			DIŞA AÇILIR KAPI KANAT PROFİLİ-MULTI POINT OUTWARD OPENING DOOR SASH PROFILE-MULTI POINT		83,01	59,94	
AĞIRLIK / Weight			THS78 16		AĞIRLIK / Weight		
0,279 kg/mt			DIŞA AÇILIR KAPI KANAT PROFİLİ-MULTI POINT OUTWARD OPENING DOOR SASH PROFILE-MULTI POINT		2,408 kg/mt		
12-53			THS78 16		AĞIRLIK / Weight		
PERVAZ MONTAJ PROFİLİ BORDER FIXING PROFILE			DIŞA AÇILIR KAPI KANAT PROFİLİ-MULTI POINT OUTWARD OPENING DOOR SASH PROFILE-MULTI POINT		2,408 kg/mt		
AĞIRLIK / Weight			THS78 16		AĞIRLIK / Weight		
0,177 kg/mt			DIŞA AÇILIR KAPI KANAT PROFİLİ-MULTI POINT OUTWARD OPENING DOOR SASH PROFILE-MULTI POINT		2,408 kg/mt		
12-54			THS78 16		AĞIRLIK / Weight		
PERVAZ PROFİLİ BORDER PROFILE			DIŞA AÇILIR KAPI KANAT PROFİLİ-MULTI POINT OUTWARD OPENING DOOR SASH PROFILE-MULTI POINT		2,408 kg/mt		
AĞIRLIK / Weight			THS78 16		AĞIRLIK / Weight		
0,326 kg/mt			DIŞA AÇILIR KAPI KANAT PROFİLİ-MULTI POINT OUTWARD OPENING DOOR SASH PROFILE-MULTI POINT		2,408 kg/mt		
12-41			THS78 16		AĞIRLIK / Weight		
TİJ PROFİLİ SASH PROFILE			DIŞA AÇILIR KAPI KANAT PROFİLİ-MULTI POINT OUTWARD OPENING DOOR SASH PROFILE-MULTI POINT		2,408 kg/mt		
AĞIRLIK / Weight			THS78 16		AĞIRLIK / Weight		
0,118 kg/mt			DIŞA AÇILIR KAPI KANAT PROFİLİ-MULTI POINT OUTWARD OPENING DOOR SASH PROFILE-MULTI POINT		2,408 kg/mt		
04-025025-12			THS78 16		AĞIRLIK / Weight		
KASA T 'Sİ - 30 mm FRAME BORDER			DIŞA AÇILIR KAPI KANAT PROFİLİ-MULTI POINT OUTWARD OPENING DOOR SASH PROFILE-MULTI POINT		2,408 kg/mt		
AĞIRLIK / Weight			THS78 16		AĞIRLIK / Weight		
0,159 kg/mt			DIŞA AÇILIR KAPI KANAT PROFİLİ-MULTI POINT OUTWARD OPENING DOOR SASH PROFILE-MULTI POINT		2,408 kg/mt		
			THS78 16		AĞIRLIK / Weight		
			DIŞA AÇILIR KAPI KANAT PROFİLİ-MULTI POINT OUTWARD OPENING DOOR SASH PROFILE-MULTI POINT		2,408 kg/mt		
			THS78 16		AĞIRLIK / Weight		
			DIŞA AÇILIR KAPI KANAT PROFİLİ-MULTI POINT OUTWARD OPENING DOOR SASH PROFILE-MULTI POINT		2,408 kg/mt		
			THS78 16		AĞIRLIK / Weight		
			DIŞA AÇILIR KAPI KANAT PROFİLİ-MULTI POINT OUTWARD OPENING DOOR SASH PROFILE-MULTI POINT		2,408 kg/mt		

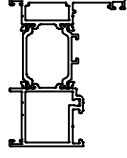
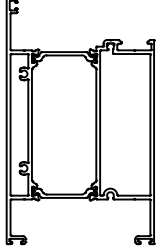
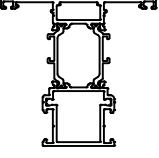
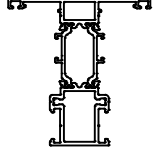
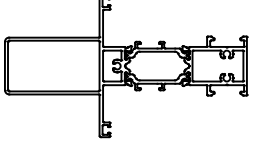
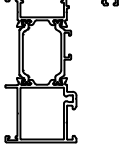
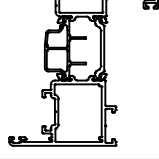
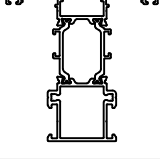
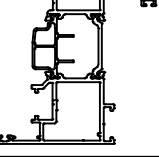
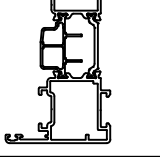
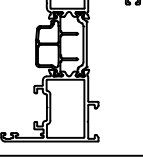
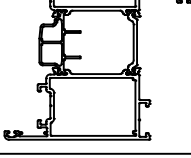
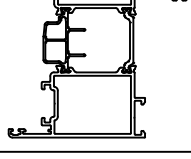
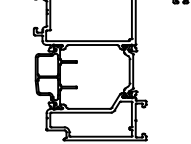
Profil ağırlıklarımız teorik olup; teslim anındaki tartımız geçerlidir.

# TH78 - THS78 - 1,8mm/2mm

YALITIMLI KAPI-PENCERE SİSTEMİ  
THERMAL WINDOW&DOOR SYSTEM

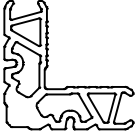


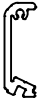


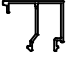

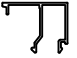

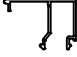








## ASISTAL


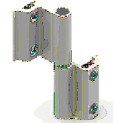
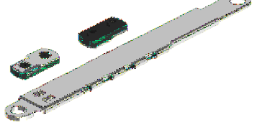
PROFİL LİSTESİ "2mm" İÇİN - PROFILES LIST FOR "2mm"

TH78 201	Jx cm <sup>4</sup> 48,58	Jy cm <sup>4</sup> 12,14		TH78 231			
KASA PROFİLİ-60 mm 2mm FRAME PROFILE	AĞIRLIK / Weight 1,691 kg/mt			2mm - ETEK PROFİLİ BOTTOM PLATE PROFILE-2mm	AĞIRLIK / Weight 3,165 kg/mt		
TH78 222	Jx cm <sup>4</sup> 53,72	Jy cm <sup>4</sup> 18,02					
ORTA KAYIT PROFİLİ 81 mm - 2 mm TRANSOM-MULLION PROFILE	AĞIRLIK / Weight 1,937 kg/mt						
TH78 226	Jx cm <sup>4</sup> 40,30	Jy cm <sup>4</sup> 13,88					
ORTA KAYIT PROFİLİ 75 mm - 2 mm TRANSOM-MULLION PROFILE	AĞIRLIK / Weight 1,733 kg/mt						
TH78 225	Jx cm <sup>4</sup> 119,24	Jy cm <sup>4</sup> 16,41		TH78 161			
TAKVİYELİ ORTA KAYIT PROFİLİ SUPPORTED MULLION PROFILE	AĞIRLIK / Weight 2,276 kg/mt			1,6 mm -KASA PROFİLİ FRAME PROFILE	AĞIRLIK / Weight 1,476 kg/mt		
TH78 211	Jx cm <sup>4</sup> 63,31	Jy cm <sup>4</sup> 19,21		TH78 162	Jx cm <sup>4</sup> 47,16	Jy cm <sup>4</sup> 17,10	
KANAT PROFİLİ-2 mm SASH PROFILE	AĞIRLIK / Weight 1,941 kg/mt			1,6 mm - ORTA KAYIT PROFİLİ TRANSOM/MULLION PROFILE	AĞIRLIK / Weight 1,647 kg/mt		
TH78 214	Jx cm <sup>4</sup> 71,36	Jy cm <sup>4</sup> 25,10		TH78 163			
KANAT PROFİLİ- 2 mm MULTI POINT SİSTEM SASH PROFILE-MULTI POINT	AĞIRLIK / Weight 2,063 kg/mt			1,6 mm-KANAT PROFİLİ 1,6 mm SASH PROFILE	AĞIRLIK / Weight 1,764 kg/mt		
TH78 216	Jx cm <sup>4</sup> 13,25	Jy cm <sup>4</sup> 5,79					
KANAT PROFİLİ-2 mm SASH PROFILE	AĞIRLIK / Weight 1,809 kg/mt						
TH78 212	Jx cm <sup>4</sup> 84,00	Jy cm <sup>4</sup> 50,54					
İÇE AÇILIR KAPI KANAT PROFİLİ-2mm INNER OPENING DOOR SASH PROFILE-2mm	AĞIRLIK / Weight 2,295 kg/mt						
TH78 215	Jx cm <sup>4</sup> 34,13	Jy cm <sup>4</sup> 27,60					
İÇE AÇILIR KAPI - DAR KANAT PROFİLİ-2mm INNER OPENING DOOR SASH PROFILE-2mm	AĞIRLIK / Weight 2,235 kg/mt						
TH78 213	Jx cm <sup>4</sup>	Jy cm <sup>4</sup>					
2mm-DIŞA AÇILIR KAPI KANAT PROFİLİ OUTWARD OPENING DOOR SASH PROFILE - 2mm	AĞIRLIK / Weight 2,440 kg/mt						

Profil ağırlıklarımız teorik olup; teslim anındaki tartımız geçerlidir.

### PROFİL LİSTESİ - PROFILES LIST

10-010225-00			11-026		
KÖŞE TAKOZU-22,5 mm CORNER JOINT	AĞIRLIK / Weight 3,566 kg/mt		CAM ÇİTASI-26 mm GLAZING BEAD PROFILE	AĞIRLIK / Weight 0,296 kg/mt	
10-010429-00			11-028		
KÖŞE TAKOZU-42,7 mm CORNER JOINT	AĞIRLIK / Weight 5,483 kg/mt		CAM ÇİTASI-28 mm GLAZING BEAD PROFILE	AĞIRLIK / Weight 0,302 kg/mt	
12-91			11-030		
DİK BAĞLANTI T JOINT	AĞIRLIK / Weight 0,794 kg/mt		CAM ÇİTASI-30 mm GLAZING BEAD PROFILE	AĞIRLIK / Weight 0,308 kg/mt	
11-004			11-032		
CAM ÇİTASI-4 mm GLAZING BEAD PROFILE	AĞIRLIK / Weight 0,181 kg/mt		CAM ÇİTASI-32 mm GLAZING BEAD PROFILE	AĞIRLIK / Weight 0,315 kg/mt	
11-006			11-035		
CAM ÇİTASI-6 mm GLAZING BEAD PROFILE	AĞIRLIK / Weight 0,218 kg/mt		CAM ÇİTASI-35 mm GLAZING BEAD PROFILE	AĞIRLIK / Weight 0,323 kg/mt	
11-010			11-038		
CAM ÇİTASI-10 mm GLAZING BEAD PROFILE	AĞIRLIK / Weight 0,233 kg/mt		CAM ÇİTASI-38 mm GLAZING BEAD PROFILE	AĞIRLIK / Weight 0,334 kg/mt	
11-015			11-144		
CAM ÇİTASI-15 mm GLAZING BEAD PROFILE	AĞIRLIK / Weight 0,241 kg/mt		CAM ÇİTASI-44 mm GLAZING BEAD PROFILE	AĞIRLIK / Weight 0,339 kg/mt	
11-017			12-01		
CAM ÇİTASI-17 mm GLAZING BEAD PROFILE	AĞIRLIK / Weight 0,250 kg/mt		DAMLALIK PROFİLİ RAINDROP PROFILE	AĞIRLIK / Weight 0,198 kg/mt	
11-020			12-02		
CAM ÇİTASI-20 mm GLAZING BEAD PROFILE	AĞIRLIK / Weight 0,276 kg/mt		DAMLALIK PROFİLİ RAINDROP PROFILE	AĞIRLIK / Weight 0,136 kg/mt	
11-022			12-03		
CAM ÇİTASI-22 mm GLAZING BEAD PROFILE	AĞIRLIK / Weight 0,282 kg/mt		DAMLALIK PROFİLİ RAINDROP PROFILE	AĞIRLIK / Weight 0,313 kg/mt	

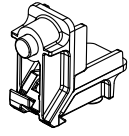
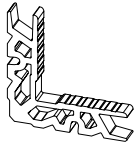
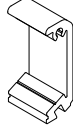
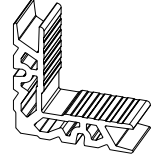
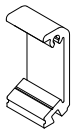
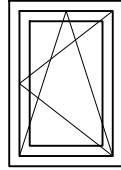
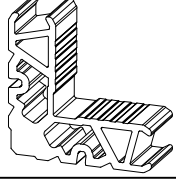
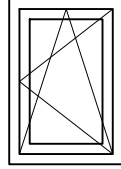
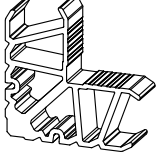

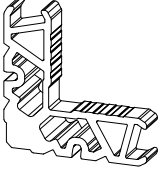
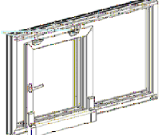
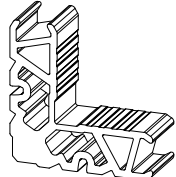
EP1-01			EP3-03		
DIŞ CAM FİTİLİ - 2,5 mm OUTER GLAZING GASKET	KOLİ MİKTARI/Package 240 mt / 15 kg		KASA BİNİ FİTİLİ FRAME GASKET	KOLİ MİKTARI/Package	
EP2-01			TH78 HOK		
İÇ CAM FİTİLİ - 3 mm INNER GLAZING GASKET	KOLİ MİKTARI/Package 440 mt / 15 kg		ADAPTÖR KAPAĞI ADAPTER COVER	KOLİ MİKTARI/Package alt-üst 1 takım	
EP2-02			ASI-H 9730		
İÇ CAM FİTİLİ - 4 mm INNER GLAZING GASKET	KOLİ MİKTARI/Package 300 mt / 15 kg		SİSTEM İKİLİ MENTEŞE DOUBLE SYSTEM HINGE	KOLİ MİKTARI/Package 250 Adet / Piece	
EP2-03			ASI-H 9733		
İÇ CAM FİTİLİ - 5 mm INNER GLAZING GASKET	KOLİ MİKTARI/Package 250 mt / 15 kg		SİSTEM ÜÇLÜ MENTEŞE TRIPLE SYSTEM HINGE	KOLİ MİKTARI/Package 250 Adet / Piece	
KC 06			ASI-H 3300		
İÇ CAM FİTİLİ - 6 mm INNER GLAZING GASKET	KOLİ MİKTARI/Package 100 mt / 8 kg		SİSTEM KAPI MENTEŞESİ SYSTEM DOOR HINGE	KOLİ MİKTARI/Package Adet / Piece	
KC 07			ASI-V 820		
İÇ CAM FİTİLİ - 7 mm INNER GLAZING GASKET	KOLİ MİKTARI/Package 100 mt / 8.3 kg		VASİSTAS AÇILIM KOLU TRANSOM OPENING HANDLE	KOLİ MİKTARI/Package 30 Adet / Piece	
EP4-07			ASI-V 816		
ORTA BİNİ FİTİLİ GASKET FOR OPEN JOINT	KOLİ MİKTARI/Package 45 mt / 15 kg		VASİSTAS AÇILIM KOLU TRANSOM OPENING HANDLE	KOLİ MİKTARI/Package 50 Adet / Piece	
EP4-07K			ASI-V 1000		
VULKANİZE FİTİLİ GASKET FOR CORNER	KOLİ MİKTARI/Package Adet / Piece		VASİSTAS MAKAS (PVC) TRANSOM RESTRICTER	KOLİ MİKTARI/Package 120 Adet / Piece	
EP3-01			ASI-V 1080		
KANAT BİNİ FİTİLİ SASH GASKET	KOLİ MİKTARI/Package 430 mt / 15 kg		VASİSTAS MAKAS TRANSOM RESTRICTER	KOLİ MİKTARI/Package 60 Adet / Piece	
EP3-02			ASI-V 1275-3		
KASA BİNİ FİTİLİ FRAME GASKET	KOLİ MİKTARI/Package 750 mt / 15 kg		VASİSTAS 3 KADEMELİ ÇELİK MAKAS TRANSOM RESTRICTER WITH 3 POSITIONS	KOLİ MİKTARI/Package 10 Adet / Piece	

<b>ASI-V 1275-5</b>			<b>ASI-WH 001B</b>		
VASİSTAS 5 KADEMELİ ÇELİK MAKAS TRANSOM RESTRICTER WITH 5 POSITIONS	KOLİ MİKTARI/Package 10 Adet / Piece		KARE MİLLİ PENCERE KOLU - İKİLİ TAKIM WINDOW HANDLE WITH LOCK	KOLİ MİKTARI/Package Takım / Set	
<b>ASI-V 0148</b>			<b>ASI-DH 002</b>		
VASİSTAS ÇELİK MAKAS TRANSOM STEEL RESTRICTER	KOLİ MİKTARI/Package 100 Adet / Piece		KAPI KOLU DOOR HANDLE	KOLİ MİKTARI/Package Adet / Piece	
<b>ASI-WH 003</b>			<b>ASI-WH 007</b>		
TEK DİLLİ EKSENEL KOL WINDOW HANDLE	KOLİ MİKTARI/Package Adet / Piece		DIŞA AÇILIR KARE MİLLİ PENCERE KOLU BAS WINDOW HANDLE FOR OUTWARD OPENING	KOLİ MİKTARI/Package Adet / Piece	
<b>ASI-WH 004</b>			<b>ASI-RP 002</b>		
ÇİFT DİLLİ EKSENEL KOL WINDOW HANDLE	KOLİ MİKTARI/Package Adet / Piece		DIŞA AÇILIM TİJ PİMİ ROD PROFILE LOCKING FOR OUTWARD OPENING	KOLİ MİKTARI/Package Adet / Piece	
<b>ASI-WH 004A</b>			<b>ASI-RP 001</b>		
ÇİFT DİLLİ EKSENEL KOL - ANAHTARLI WINDOW HANDLE WITH LOCK	KOLİ MİKTARI/Package Adet / Piece		TİJ PİMİ ROD PROFILE LOCKING	KOLİ MİKTARI/Package Adet / Piece	
<b>ASI-KA M108</b>			<b>ASI-RS 003</b>		
EKSENEL KOL KİLİTLEME MEKANİZMASI LOCKING FOR WINDOW	KOLİ MİKTARI/Package Adet / Piece		DIŞA AÇILIM PİM KARŞILIĞI ROD PROFILE STRIKES FOR OUTWARD OPENING	KOLİ MİKTARI/Package Adet / Piece	
<b>ASI-KA P200</b>			<b>ASI-RS 001</b>		
EKSENEL KOL KİLİTLEME MEKANİZMASI LOCKING FOR WINDOW	KOLİ MİKTARI/Package Adet / Piece		PİM KARŞILIĞI ROD PROFILE STRIKES	KOLİ MİKTARI/Package 120 Adet / Piece	
<b>ASI-KA VNT</b>			<b>ASI-GB 001</b>		
KANAT SABİTLEME SASH FIXING	KOLİ MİKTARI/Package Adet / Piece		DIŞA AÇILIM KOL MEKANİZMASI LOCKING FOR WINDOW FOR OUTWARD OPENING	KOLİ MİKTARI/Package Adet / Piece	
<b>ASI-WH 001</b>			<b>ASI-153 35</b>		
KARE MİLLİ PENCERE KOLU WINDOW HANDLE	KOLİ MİKTARI/Package Adet / Piece		DİLLİ KİLİT MOURTISE LOCK WITH CYLINDER	KOLİ MİKTARI/Package Adet / Piece	
<b>ASI-WH 001A</b>			<b>ASI-LS 90185D</b>		
KARE MİLLİ PENCERE KOLU-ANAHTARLI WINDOW HANDLE WITH LOCK	KOLİ MİKTARI/Package Adet / Piece		DİLLİ KİLİT KARŞILIĞI LOCK STRIKES	KOLİ MİKTARI/Package Adet / Piece	

<b>ASI-155 35</b>			<b>ASI-DH 60Y</b>		
MAKARALI KİLİT MOURTISE LOCK WITH ROLLER	KOLİ MİKTARI/Package Adet / Piece		ÇEKME KAPI KOLU DOOR HANDLE	KOLİ MİKTARI/Package Adet / Piece	
<b>ASI-LS 90185M</b>			<b>KF 67-1000</b>		
MAKARALI KİLİT KARŞILIĞI ROLLER LOCK STRIKES	KOLİ MİKTARI/Package Adet / Piece		FIRÇA FİTİL BRUSH GASKET	KOLİ MİKTARI/Package 600 mt	
<b>ASI-BRL 116</b>			<b>ASI-F 100A</b>		
116 LİK BAREL CYLINDER 116	KOLİ MİKTARI/Package 250 Adet / Piece		KAPI ALTI FIRÇASI DOOR BRUSH GASKET	KOLİ MİKTARI/Package Adet / Piece	
<b>ASI-225</b>			<b>ASI-WDC 01</b>		
BAREL AYNASI (Beyaz,Siyah,Gri) DOOR HANDLE CYLINDER (White,Black,Grey)	KOLİ MİKTARI/Package Adet / Piece		YAĞMUR TAHLİYE KAPAĞI WATER REJECT COVER	KOLİ MİKTARI/Package Adet / Piece	
<b>ASI-B 2217</b>			<b>ASI-WDC 02</b>		
SÜRGÜ KİLİTLEME-KISA SASH FIXING LOCK-SHORT	KOLİ MİKTARI/Package 240 Adet / Piece		KLAPELİ YAĞMUR TAHLİYE KAPAĞI WATER REJECT COVER	KOLİ MİKTARI/Package Adet / Piece	
<b>ASI-B 2215</b>			<b>ASI-FUJİ 2500</b>		
SÜRGÜ KİLİTLEME-UZUN SASH FIXING LOCK-LONG	KOLİ MİKTARI/Package 120 Adet / Piece		AYARLI ORTA KAYIT BAĞLANTI T JOINT CONNECTION	KOLİ MİKTARI/Package Adet / Piece	
<b>ASI-OA 001</b>			<b>ASI-FUJİ 2700</b>		
DIŞA AÇILIM MAKAS -10" EUROGROVE ARM FOR OUTWARD OPENING	KOLİ MİKTARI/Package Adet / Piece		AYARLI ORTA KAYIT BAĞLANTI T JOINT CONNECTION	KOLİ MİKTARI/Package Adet / Piece	
<b>ASI-OA 002</b>			<b>ASI-FUJİ 2000</b>		
DIŞA AÇILIM MAKAS -16" EUROGROVE ARM FOR OUTWARD OPENING	KOLİ MİKTARI/Package Adet / Piece		AYARLI KÖŞE GÖNYESİ CORNER ALIGNMENT	KOLİ MİKTARI/Package Adet / Piece	
<b>ASI-OA 003</b>			<b>ASI-SB 19</b>		
DIŞA AÇILIM MAKAS -22" EUROGROVE ARM FOR OUTWARD OPENING	KOLİ MİKTARI/Package Adet / Piece		KÖŞE GÖNYESİ CORNER ALIGNMENT	KOLİ MİKTARI/Package 1000 Adet / Piece	
<b>ASI-OA 004</b>			<b>ASI-SB 19.1</b>		
DIŞA AÇILIM MAKAS -28" EUROGROVE ARM FOR OUTWARD OPENING	KOLİ MİKTARI/Package Adet / Piece		KÖŞE GÖNYESİ CORNER ALIGNMENT	KOLİ MİKTARI/Package 1000 Adet / Piece	



## AKSESUAR LİSTESİ - ACCESSORIES LIST

<b>ASI-SS 01</b>			<b>ASI-PB 2326</b>		
KANAT DESTEK TAKOZU <i>SASH SUPPORT BOTTOM</i>	KOLİ MİKTARI/Package Takım / Set		PİMLİ KÖŞE BAĞLANTI <i>CORNER JOINT</i>	KOLİ MİKTARI/Package 200 Adet / Piece	
<b>ASI-P 100.1</b>			<b>ASI-PB 2650</b>		
ORTA KAYIT BAĞLANTI <i>T JOINT</i>	KOLİ MİKTARI/Package 250 Adet / Piece		PİMLİ KÖŞE BAĞLANTI <i>CORNER JOINT</i>	KOLİ MİKTARI/Package 150 Adet / Piece	
<b>ASI-DB 9174</b>			<b>ASI-KT 1609</b>		
DİK BAĞLANTI <i>T JOINT</i>	KOLİ MİKTARI/Package Adet / Piece		KÖŞE TAKOZU <i>CORNER JOINT</i>	KOLİ MİKTARI/Package Adet / Piece	
<b>ASI-DB 9116</b>			<b>ASI-KT 1626</b>		
DİK BAĞLANTI <i>T JOINT</i>	KOLİ MİKTARI/Package Adet / Piece		KÖŞE TAKOZU <i>CORNER JOINT</i>	KOLİ MİKTARI/Package Adet / Piece	
<b>ASI-DB 9143</b>			<b>ASI-KT 1807</b>		
DİK BAĞLANTI <i>T JOINT</i>	KOLİ MİKTARI/Package Adet / Piece		KÖŞE TAKOZU <i>CORNER JOINT</i>	KOLİ MİKTARI/Package Adet / Piece	
<b>ASI-DB 9123</b>			<b>ASI-KT 1830</b>		
DİK BAĞLANTI <i>T JOINT</i>	KOLİ MİKTARI/Package Adet / Piece		KÖŞE TAKOZU <i>CORNER JOINT</i>	KOLİ MİKTARI/Package Adet / Piece	
<b>ASI-ALU TT</b>			<b>ASI-KT 2660</b>		
ÇİFT EKSEN AÇILIM MEKANİZMASI <i>TILT&amp;TURN OPENING</i>	KOLİ MİKTARI/Package Takım / Set		KÖŞE TAKOZU <i>CORNER JOINT</i>	KOLİ MİKTARI/Package Adet / Piece	
<b>ASI-PVC TT</b>			<b>ASI-KT 2650</b>		
ÇİFT EKSEN AÇILIM MEKANİZMASI <i>TILT&amp;TURN OPENING</i>	KOLİ MİKTARI/Package Takım / Set		KÖŞE TAKOZU <i>CORNER JOINT</i>	KOLİ MİKTARI/Package Adet / Piece	
<b>ASI-LTT K01</b>			<b>ASI-KT 2308</b>		
ÇİFT KANAT AÇILIM PASİF KANAT LEVYE KOL <i>INACTIVE SASH HIDDEN HANDLE</i>	KOLİ MİKTARI/Package Takım / Set		KÖŞE TAKOZU <i>CORNER JOINT</i>	KOLİ MİKTARI/Package Adet / Piece	
<b>ASI-MEK VW</b>			<b>ASI-KT 2319</b>		
PARALEL SÜRME MEKANİZMASI <i>TILT&amp;SLIDE OPENING</i>	KOLİ MİKTARI/Package Takım / Set		KÖŞE TAKOZU <i>CORNER JOINT</i>	KOLİ MİKTARI/Package Adet / Piece	



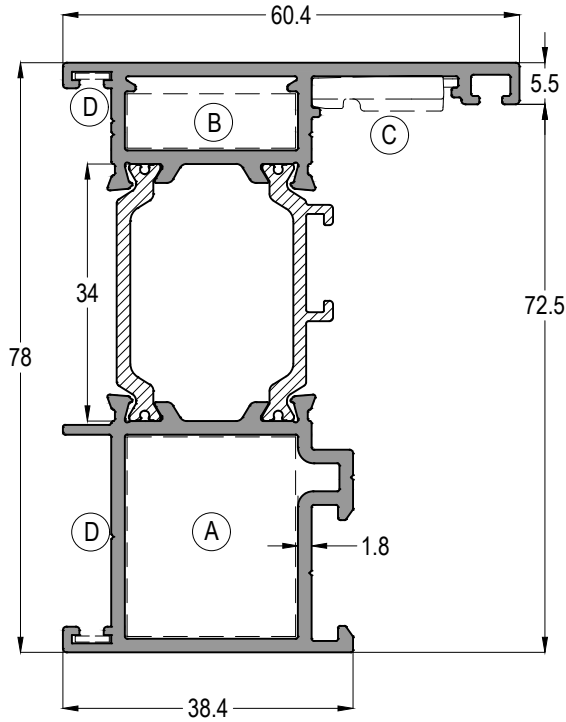


**PROFİL DETAYLARI**  
*PROFILE DETAILS*

# TH78 - THS78

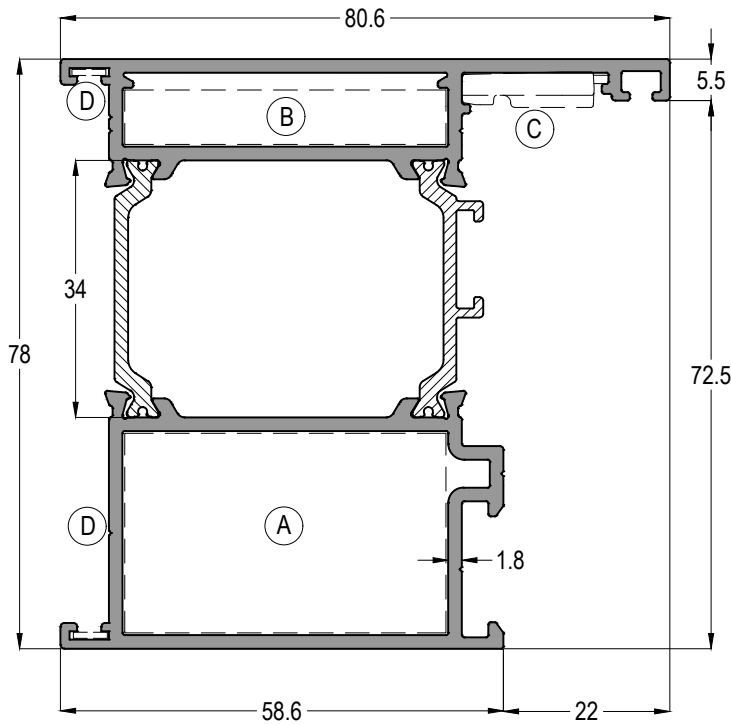
YALITIMLI KAPI-PENCERE SİSTEMİ  
THERMAL WINDOW&DOOR SYSTEM

## ASISTAL



TH78 01				Jx cm <sup>4</sup>	Jy cm <sup>4</sup>
				45,72	12,61
				AĞIRLIK / Weight	
				1,588 kg/mt	

A	B	C	D



TH78 02				Jx cm <sup>4</sup>	Jy cm <sup>4</sup>
				58,71	35,34
				AĞIRLIK / Weight	
				1,959 kg/mt	

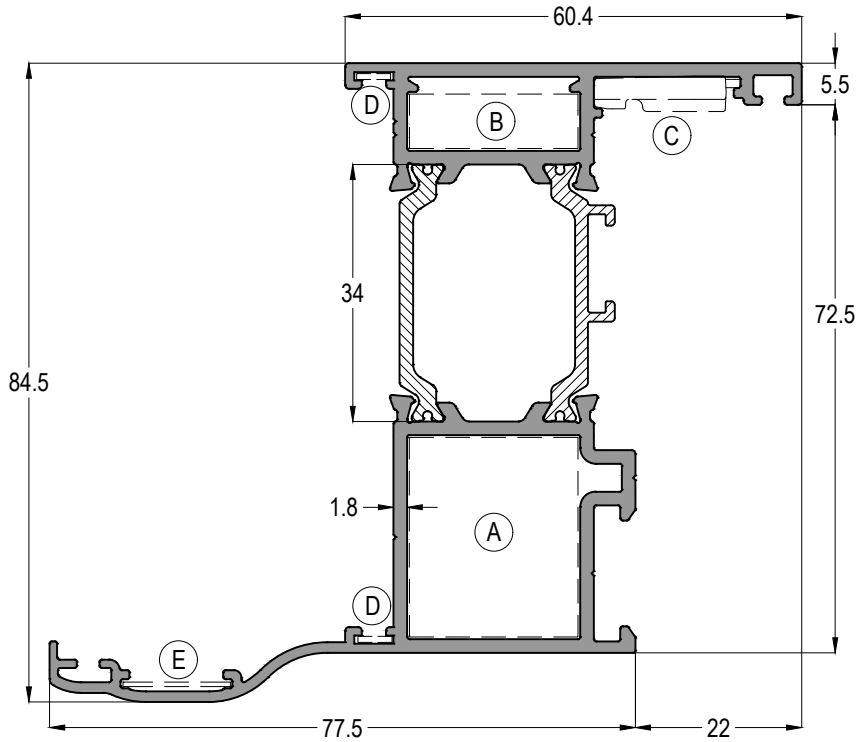
A	B	C	D

Profil ağırlıklarımız teorik olup; teslim anındaki tartımız geçerlidir.

# TH78 - THS78

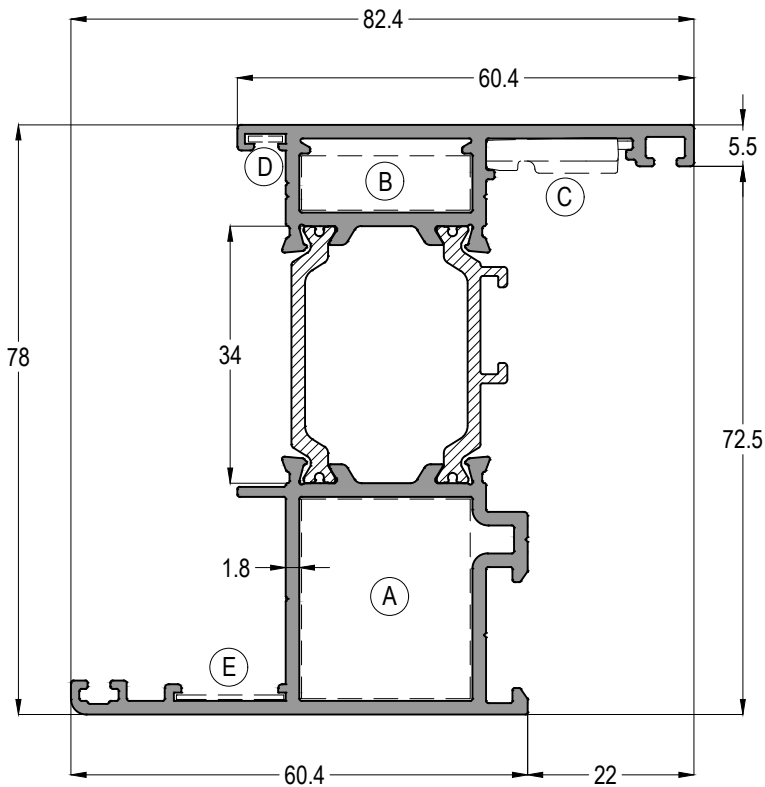
YALITIMLI KAPI-PENCERE SİSTEMİ  
THERMAL WINDOW&DOOR SYSTEM

## ASISTAL



TH78 03		Jx cm <sup>4</sup>	Jy cm <sup>4</sup>
		60,71	26,87
AĞIRLIK / Weight		1,770 kg/mt	

ASI-KT 2660-ASI-PB 2326 ASI-KT 2308 ASI-FUJJI 2000 ASI-SB 19.1



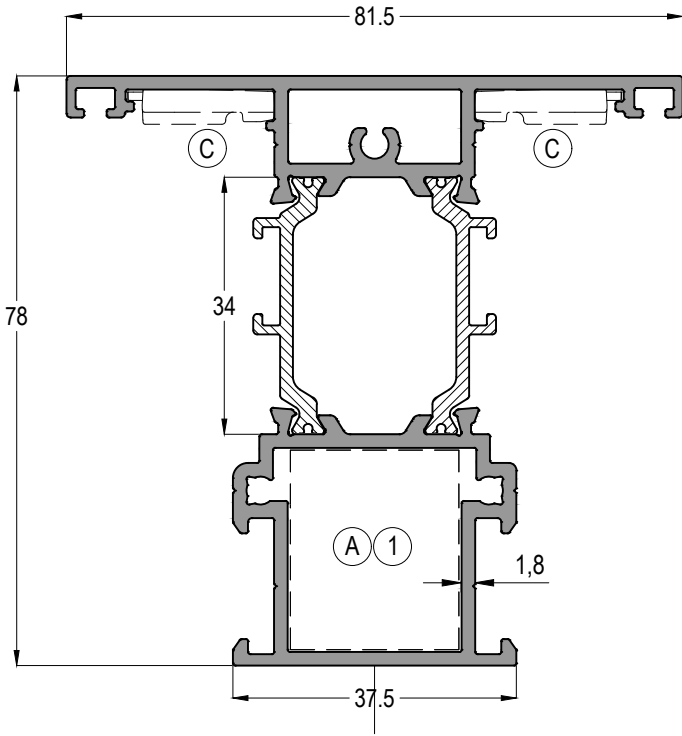
TH78 04		Jx cm <sup>4</sup>	Jy cm <sup>4</sup>
		54,05	18,25
AĞIRLIK / Weight		1,723 kg/mt	




ASI-KT 2660-ASI-PB 2326 ASI-KT 2308 ASI-FUJJI 2000 ASI-SB 19.1

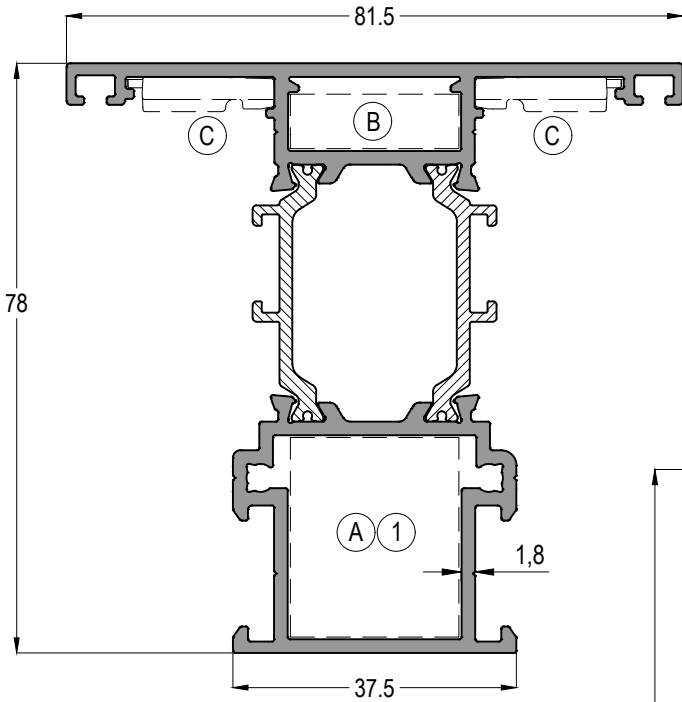
# TH78 - THS78

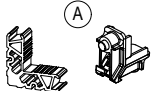



YALITIMLI KAPI-PENCERE SİSTEMİ  
THERMAL WINDOW&DOOR SYSTEM

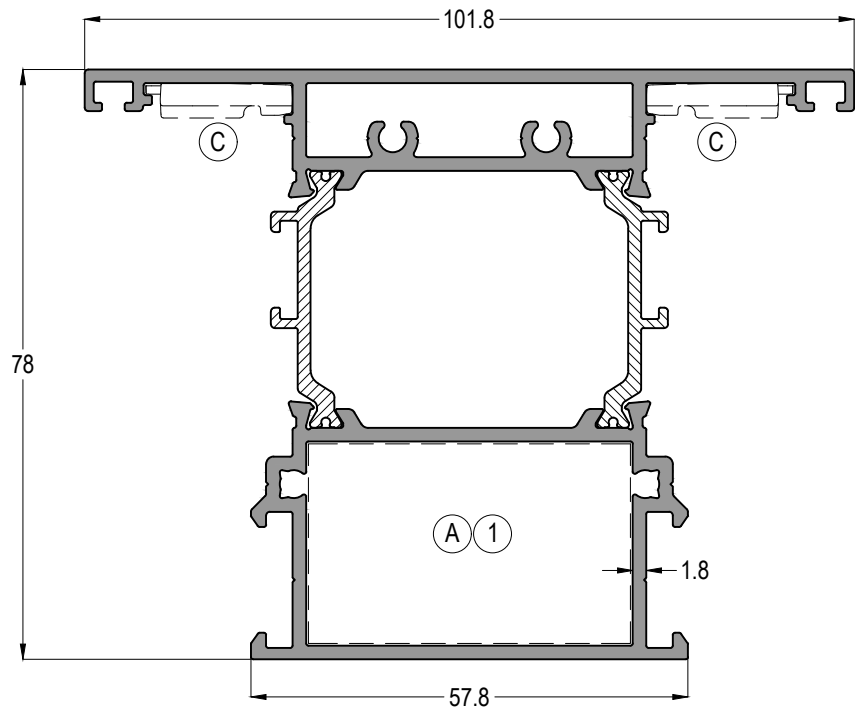
## ASISTAL



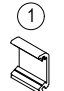


TH78 21			Jx cm <sup>4</sup>	Jy cm <sup>4</sup>
			51,99	18,69
 A	 C	 1	AĞIRLIK / Weight	
ASI-KT 2660-ASI-PB 2326 ASI-FUJI 2000 ASI-DB 9123			1,795 kg/mt	



TH78 22					Jx cm <sup>4</sup>	Jy cm <sup>4</sup>
					51,41	18,72
 A	 B	 C	 1	AĞIRLIK / Weight		
ASI-KT 2660-ASI-PB 2326 ASI-KT 2308 ASI-FUJI 2000 ASI-DB 9123					1,763 kg/mt	



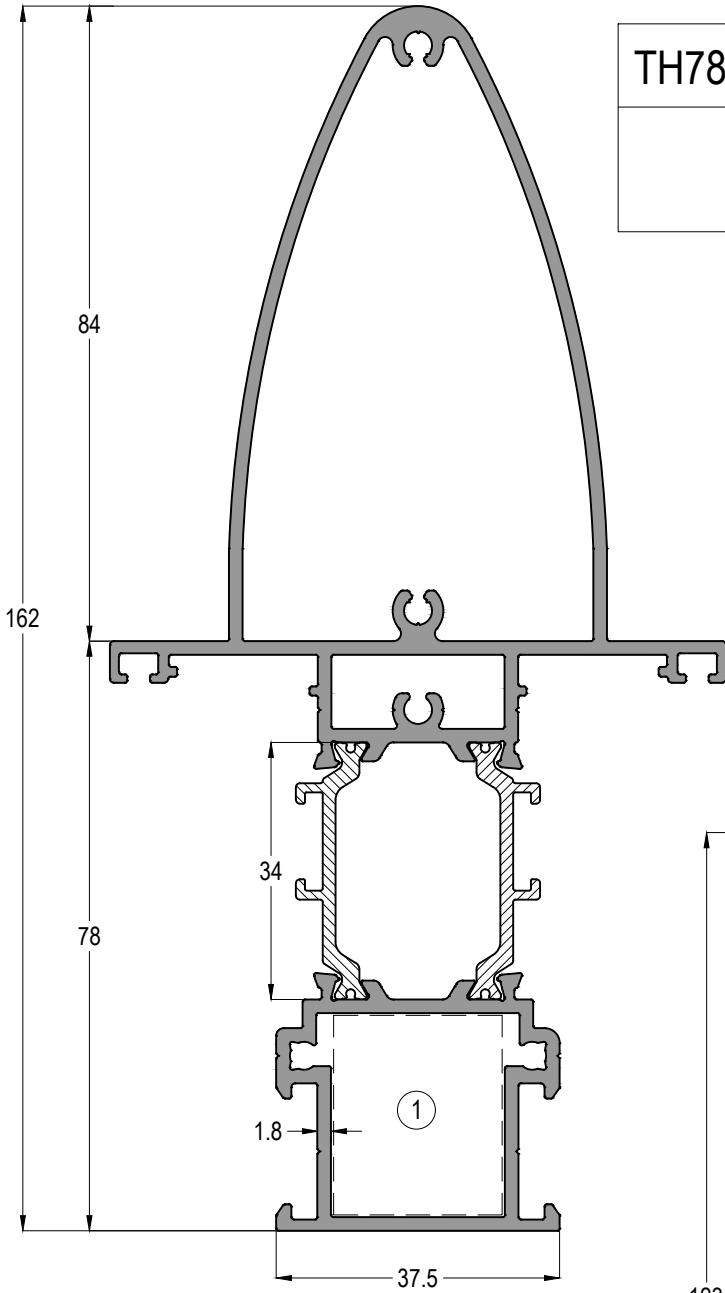
TH78 23			Jx cm <sup>4</sup>	Jy cm <sup>4</sup>
			66,23	47,51
 A	 C	 1	AĞIRLIK / Weight	
ASI-KT 2650-ASI-PB 2650 ASI-FUJI 2000 ASI-DB 9143			2,225 kg/mt	


Profil ağırlıklarımız teorik olup; teslim anındaki tartımız geçerlidir.

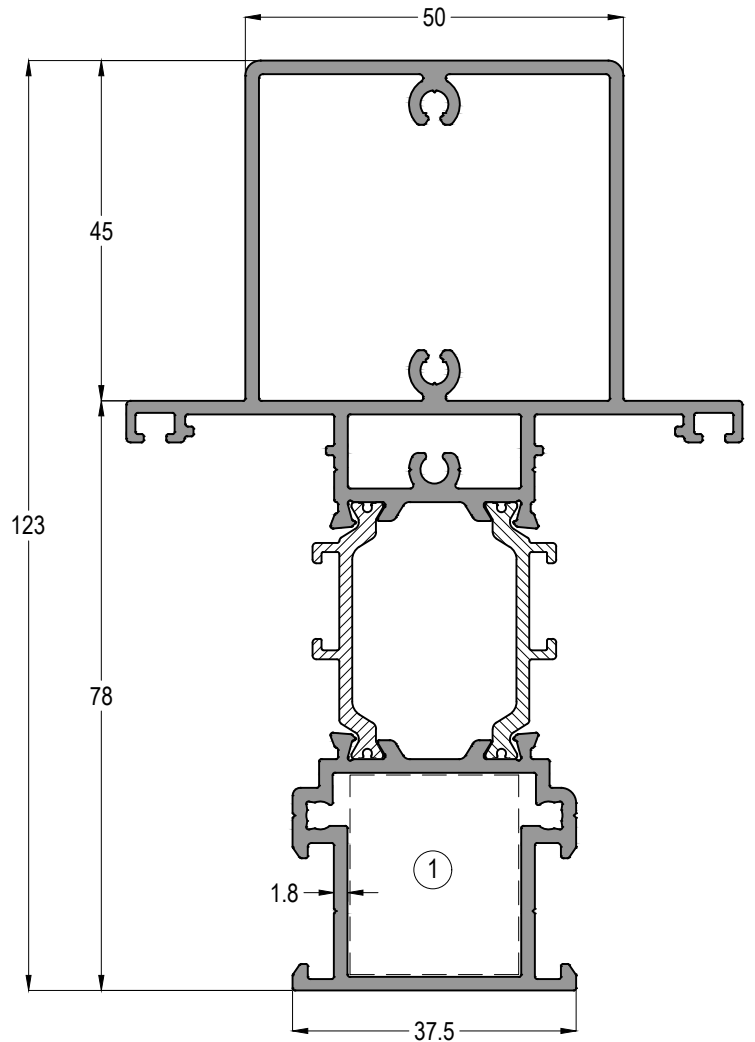
# TH78 - THS78


YALITIMLI KAPI-PENCERE SİSTEMİ  
THERMAL WINDOW&DOOR SYSTEM

## ASISTAL



TH78 24	Jx cm <sup>4</sup>	Jy cm <sup>4</sup>
	223,24	29,97
 ASI-DB 9123	AĞIRLIK / Weight	
	2,845 kg/mt	



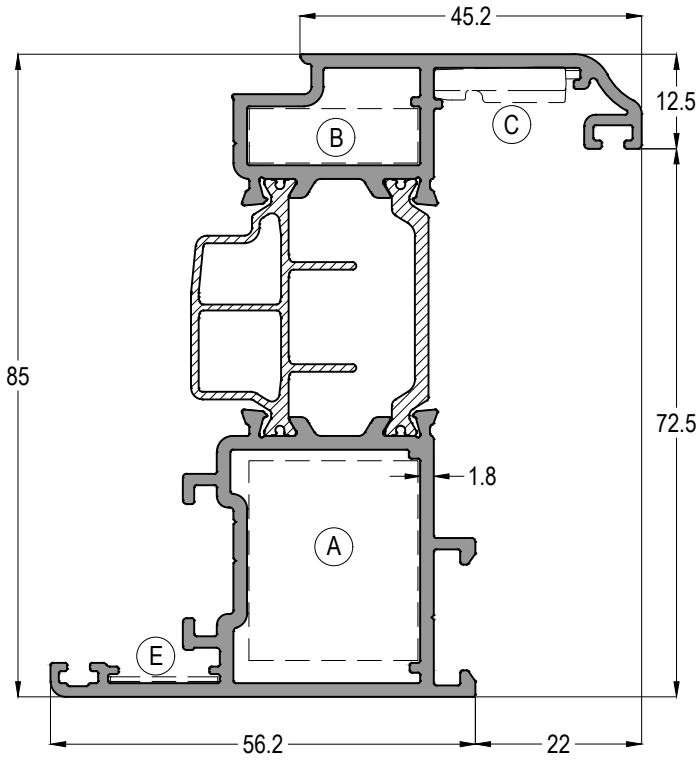
TH78 25	Jx cm <sup>4</sup>	Jy cm <sup>4</sup>
	135,67	29,50
 ASI-DB 9123	AĞIRLIK / Weight	
	2,615 kg/mt	





Profil ağırlıklarımız teorik olup; teslim anındaki tartımız geçerlidir.

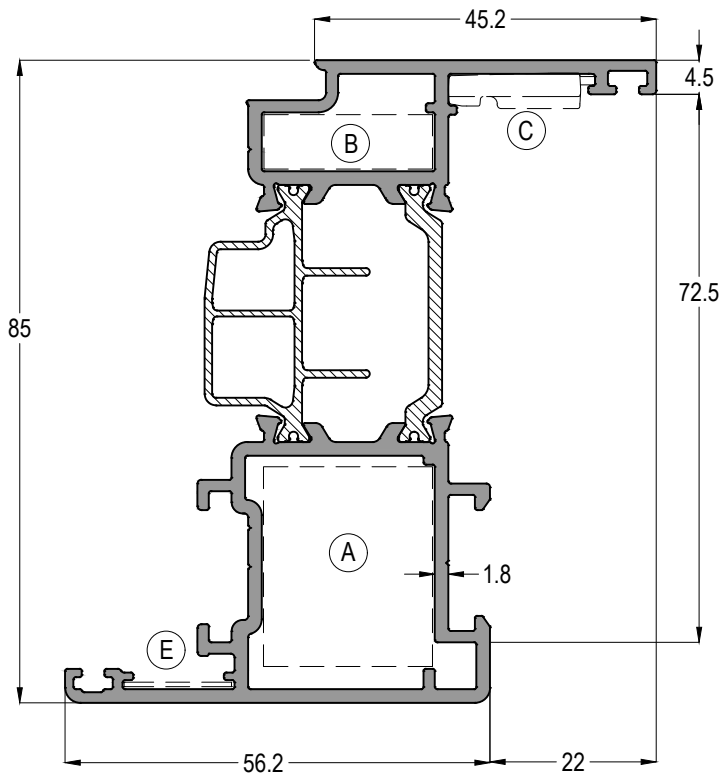
# TH78 - THS78





YALITIMLI KAPI-PENCERE SİSTEMİ  
THERMAL WINDOW&DOOR SYSTEM

## ASISTAL



TH78 11				Jx cm <sup>4</sup>	Jy cm <sup>4</sup>
				63,31	19,21
				AĞIRLIK / Weight	
ASI-KT 2660-ASI-PB 2326   ASI-KT 2308   ASI-FUJII 2000   ASI-SB 19.1				1,845 kg/mt	

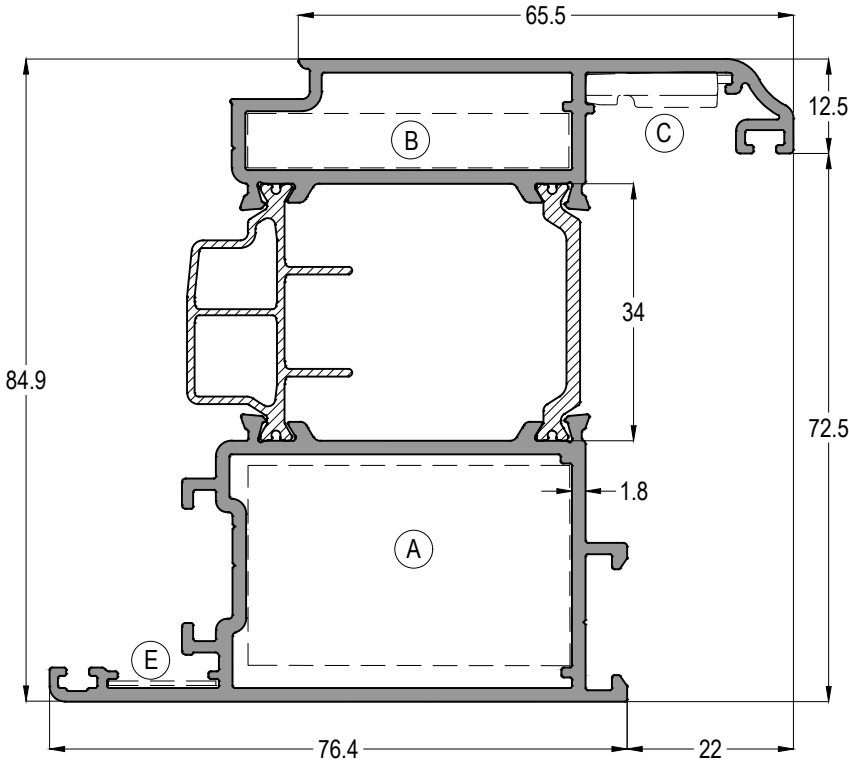


TH78 18				Jx cm <sup>4</sup>	Jy cm <sup>4</sup>
				62,90	17,32
				AĞIRLIK / Weight	
ASI-KT 2660-ASI-PB 2326   ASI-KT 2308   ASI-FUJII 2000   ASI-SB 19.1				1,828 kg/mt	

# TH78 - THS78

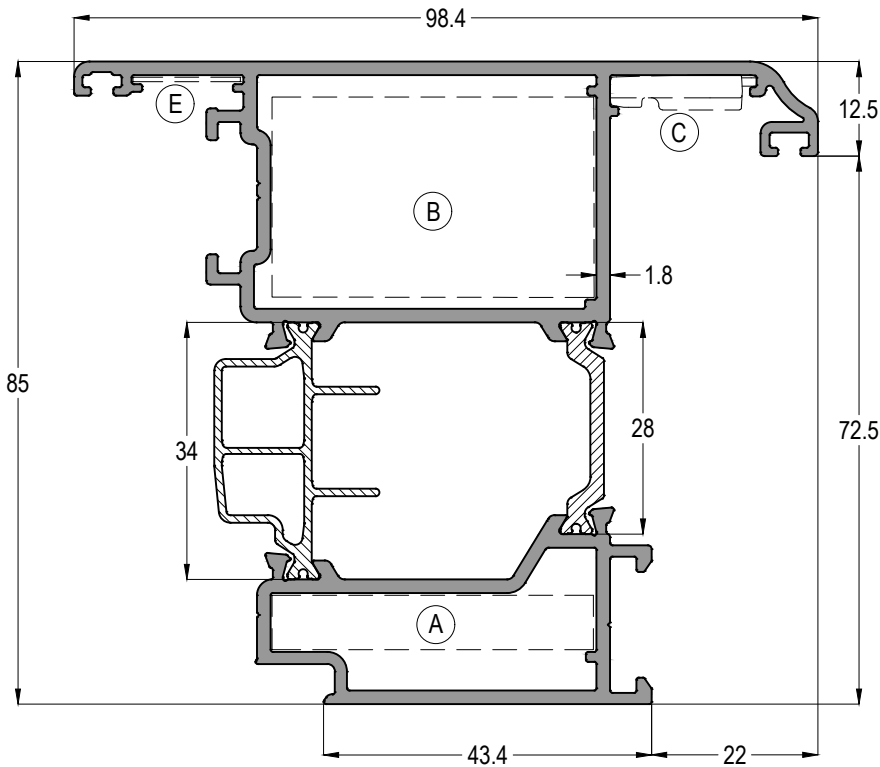
YALITIMLI KAPI-PENCERE SİSTEMİ  
THERMAL WINDOW&DOOR SYSTEM

## ASISTAL



TH78 12		Jx cm <sup>4</sup>	Jy cm <sup>4</sup>
		78,72	48,38
AĞIRLIK / Weight			
2,240 kg/mt			

A	B	C	E
ASI-KT 2650-ASI-PB 2650	ASI-KT 4308	ASI-FUJI 2000	ASI-SB 19.1



TH78 13		Jx cm <sup>4</sup>	Jy cm <sup>4</sup>
		77,57	48,50
AĞIRLIK / Weight			
2,269 kg/mt			

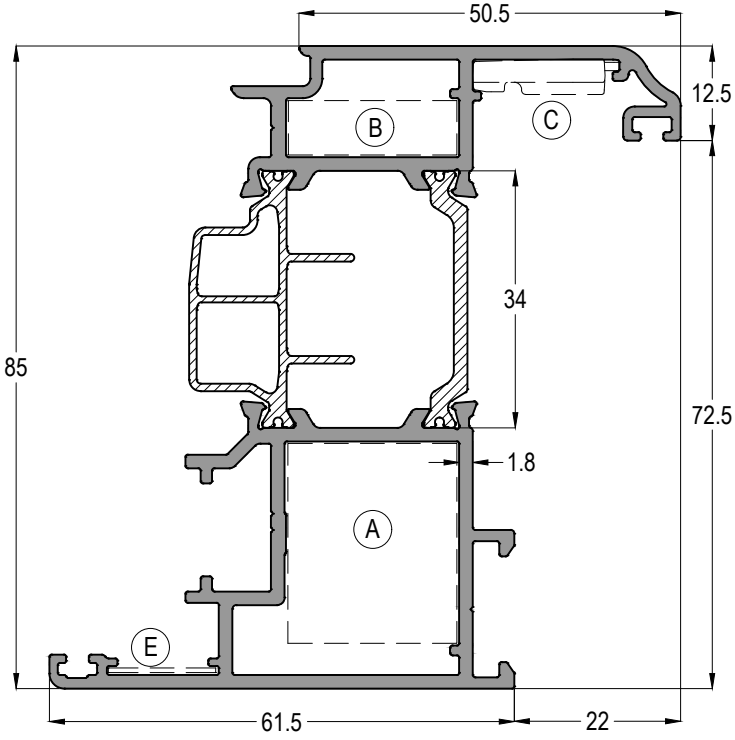
B	A	C	E
ASI-KT 2650-ASI-PB 2650	ASI-KT 4308	ASI-FUJI 2000	ASI-SB 19.1



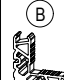

# TH78 - THS78

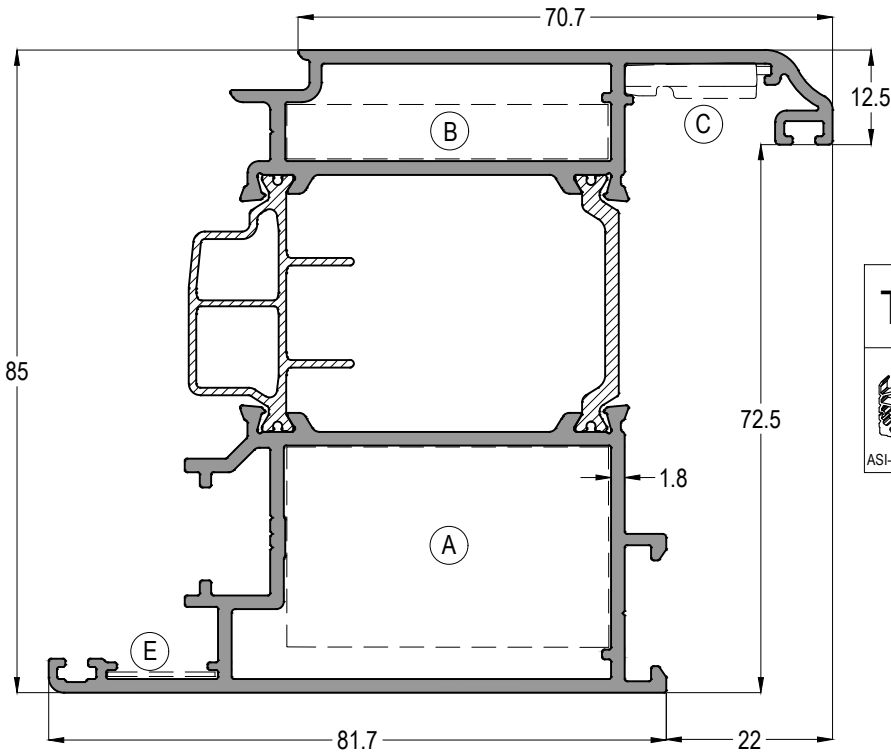
YALITIMLI KAPI-PENCERE SİSTEMİ  
THERMAL WINDOW&DOOR SYSTEM

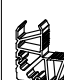

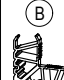

## ASISTAL

### ÇOK NOKTADAN KİLİTLEME KANAT PROFİLLERİ MULTI POINT LOCK SASH PROFILES



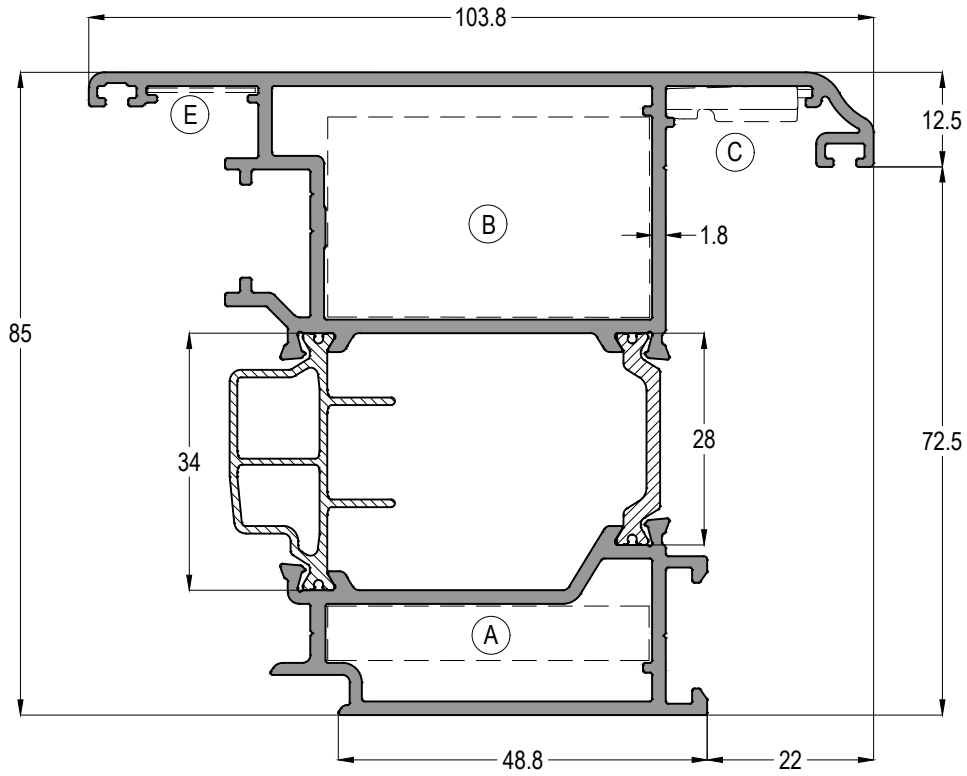
TH78 14				Jx cm <sup>4</sup>	Jy cm <sup>4</sup>
				67,53	24,33
				AĞIRLIK / Weight	
ASI-KT 2660-ASI-PB 2326 ASI-KT 2308 ASI-FUJJI 2000 ASI-SB 19.1				1,964 kg/mt	




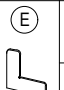


TH78 15				Jx cm <sup>4</sup>	Jy cm <sup>4</sup>
				82,88	57,68
				AĞIRLIK / Weight	
ASI-KT 2650-ASI-PB 2650 ASI-KT 4308 ASI-FUJJI 2000 ASI-SB 19.1				2,358 kg/mt	



ÇOK NOKTADAN KİLİTLEME KANAT PROFİLLERİ  
MULTI POINT LOCK SASH PROFILES



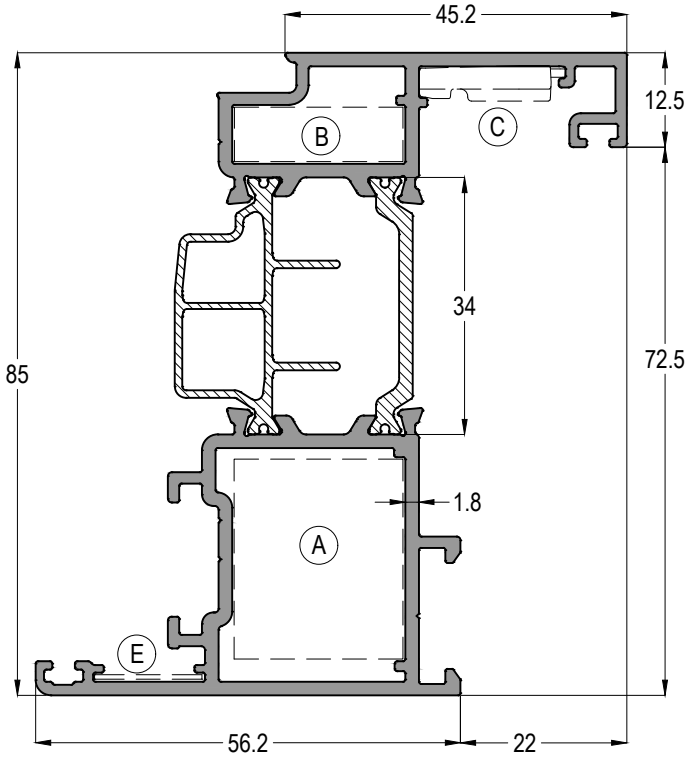
TH78 16				Jx cm <sup>4</sup>	Jy cm <sup>4</sup>
				81,87	58,04
				AĞIRLIK / Weight	
ASI-KT 2650-ASI-PB 2650	ASI-KT 4308	ASI-FUJİ 2000	ASI-SB 19.1	2,390 kg/mt	





# TH78 - THS78

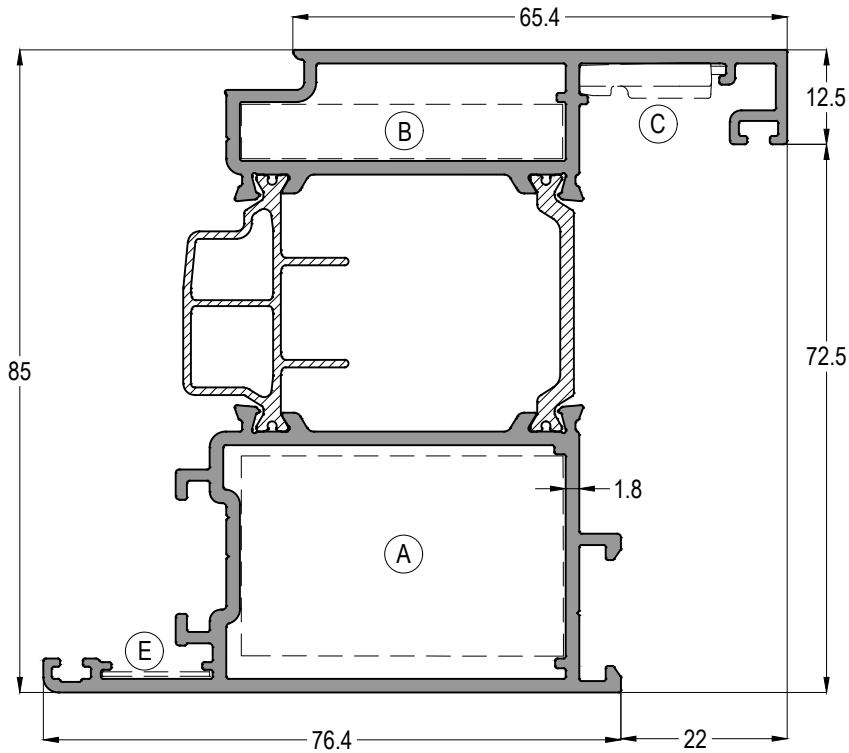
YALITIMLI KAPI-PENCERE SİSTEMİ  
THERMAL WINDOW&DOOR SYSTEM



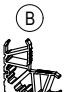

## ASISTAL

### THS SERİSİ DÜZ KANAT PROFİLLERİ THS SERIES FLAT SASH PROFILES



THS78 11				Jx cm <sup>4</sup>	Jy cm <sup>4</sup>
				64,56	20,31
				AĞIRLIK / Weight	
ASI-KT 2660-ASI-PB 2326 ASI-KT 2308 ASI-FUJII 2000 ASI-SB 19.1				1,863 kg/mt	



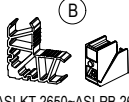
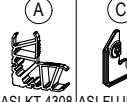
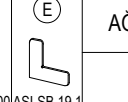
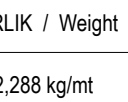
THS78 12				Jx cm <sup>4</sup>	Jy cm <sup>4</sup>
				79,89	50,09
				AĞIRLIK / Weight	
ASI-KT 2650-ASI-PB 2650 ASI-KT 4308 ASI-FUJII 2000 ASI-SB 19.1				2,257 kg/mt	

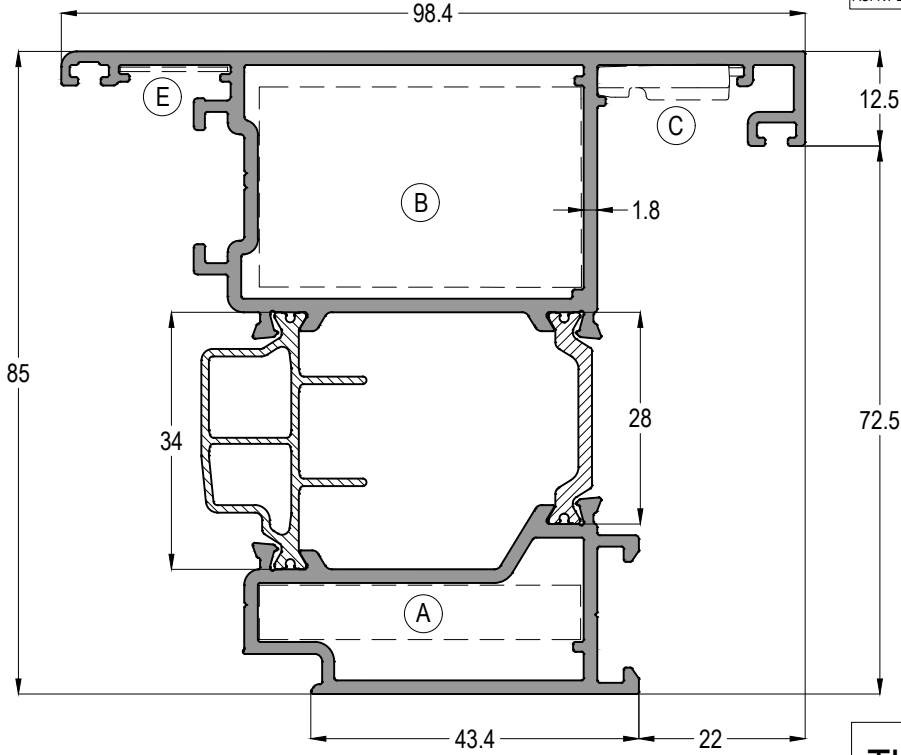
# TH78 - THS78


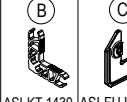
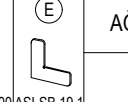
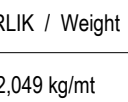
YALITIMLI KAPI-PENCERE SİSTEMİ  
THERMAL WINDOW&DOOR SYSTEM

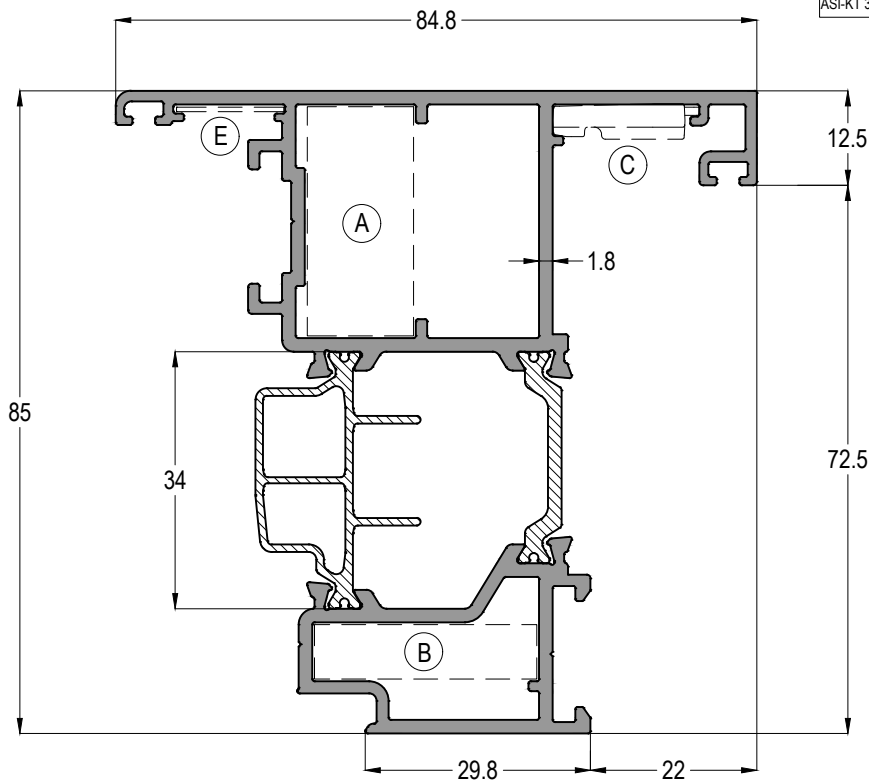


## THS SERİSİ DÜZ KANAT PROFİLLERİ THS SERIES FLAT SASH PROFILES

<b>THS78 13</b>				Jx cm <sup>4</sup>	Jy cm <sup>4</sup>
				78,73	50,17
 ASI-KT 2650-ASI-PB 2650	 ASI-KT 4308	 ASI-FUJJI 2000	 ASI-SB 19.1	AĞIRLIK / Weight	
				2,288 kg/mt	

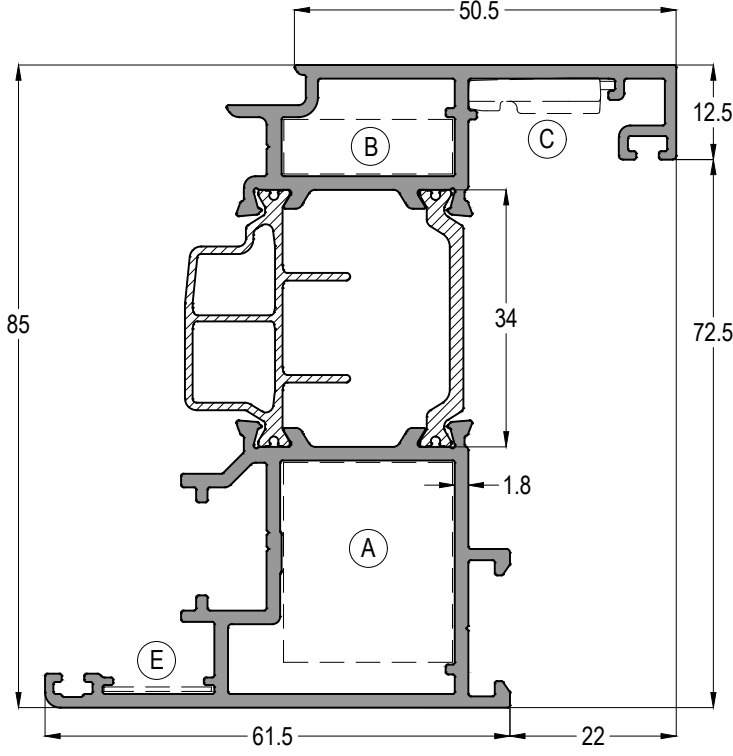




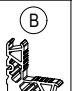

<b>THS78 17</b>					
 ASI-KT 3007-ASI-PB 4111	 ASI-KT 1430	 ASI-FUJJI 2000	 ASI-SB 19.1	AĞIRLIK / Weight	
				2,049 kg/mt	

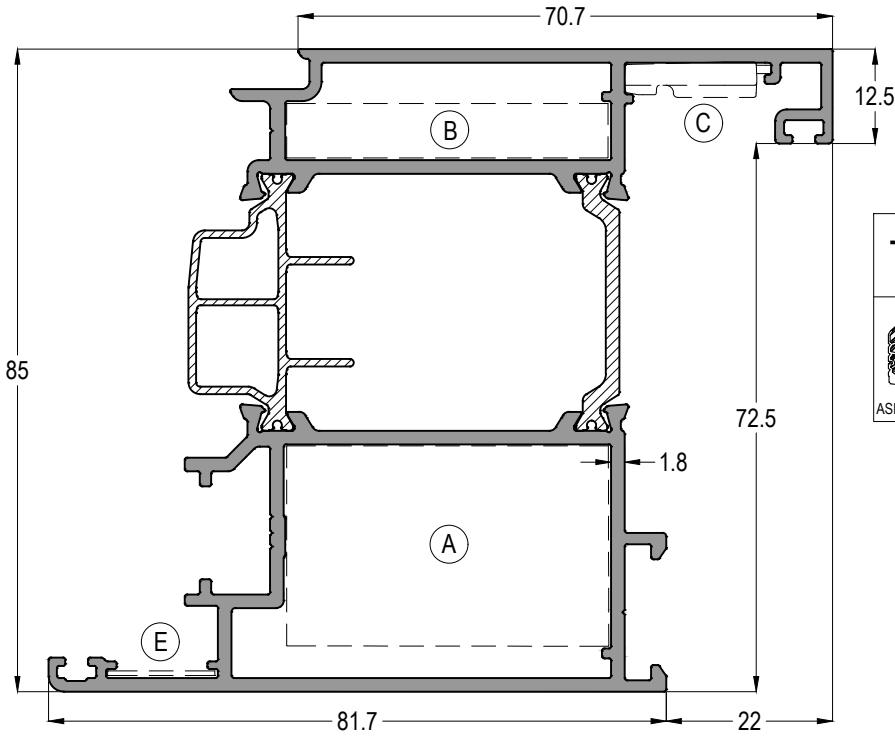




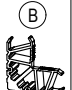

Profil ağırlıklarımız teorik olup; teslim anındaki tartımız geçerlidir.

THS SERİSİ ÇOK NOKTADAN KİLİTLEME  
KANAT PROFİLLERİ  
THS SERIES MULTI POINT LOCK SASH PROFILES

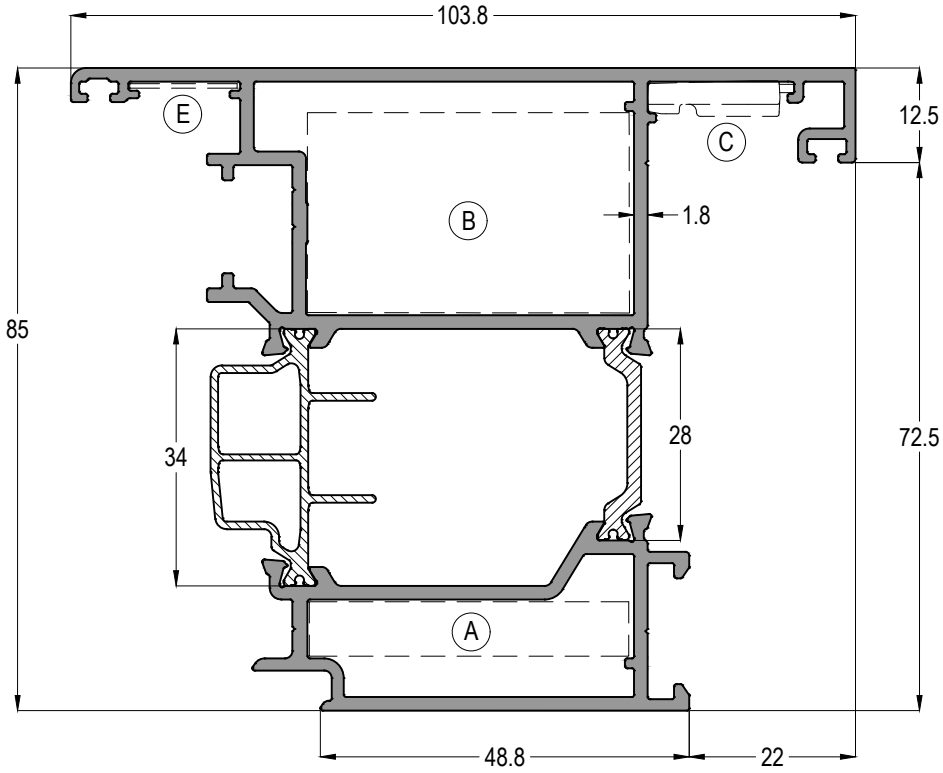


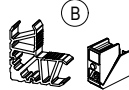
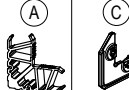
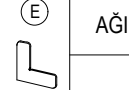
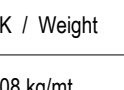
THS78 14				Jx cm <sup>4</sup>	Jy cm <sup>4</sup>
				68,77	25,58
				AĞIRLIK / Weight	
ASI-KT 2660-ASI-PB 2326	ASI-KT 2308	ASI-FUJJI 2000	ASI-SB 19.1	1,981 kg/mt	



THS78 15				Jx cm <sup>4</sup>	Jy cm <sup>4</sup>
				84,10	59,64
				AĞIRLIK / Weight	
ASI-KT 2650-ASI-PB 2650	ASI-KT 4308	ASI-FUJJI 2000	ASI-SB 19.1	2,376 kg/mt	

THS SERİSİ ÇOK NOKTADAN KİLİTLEME  
KANAT PROFİLLERİ  
THS SERIES MULTI POINT LOCK SASH PROFILES



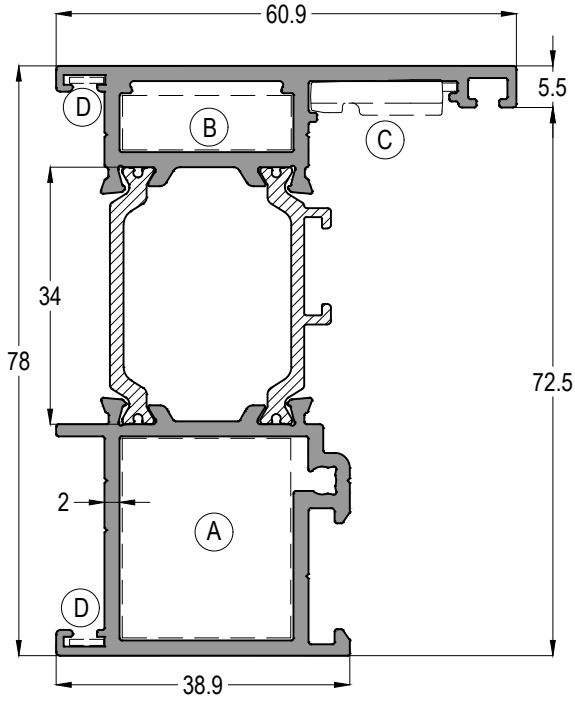
THS78 16				Jx cm <sup>4</sup>	Jy cm <sup>4</sup>
				83,01	59,94
				AĞIRLIK / Weight	
ASI-KT 2650-ASI-PB 2650	ASI-KT 4308	ASI-FUJI 2000	ASI-SB 19.1	2,408 kg/mt	

# TH78 - THS78

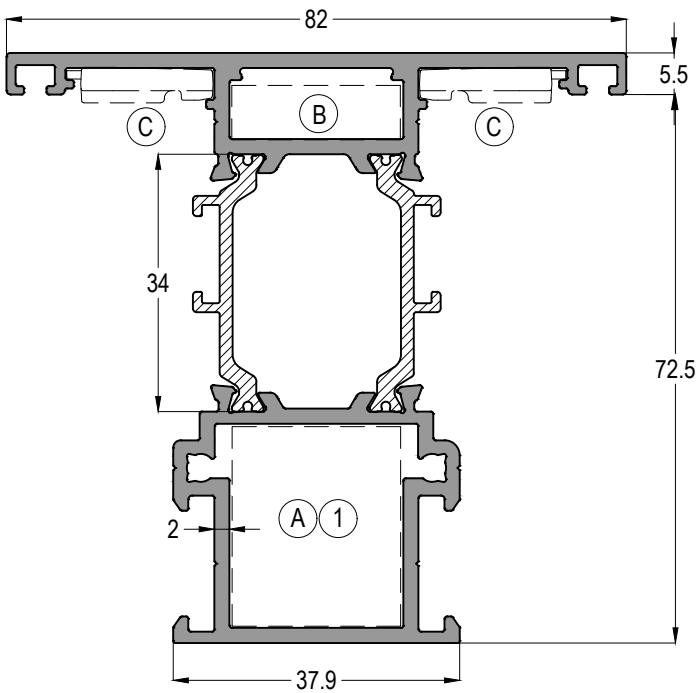
YALITIMLI KAPI-PENCERE SİSTEMİ  
THERMAL WINDOW&DOOR SYSTEM

## ASISTAL

2 mm ET KALINLIĞINDA SİSTEM PROFİLLERİ  
2 mm THICKNESS SYSTEM PROFILES



TH78 201		Jx cm <sup>4</sup>	Jy cm <sup>4</sup>
		48,58	12,14
AĞIRLIK / Weight		1,691 kg/mt	
A	B	C	D
ASI-KT 2660-ASI-PB 2326	ASI-KT 2308	ASI-FUJJI 2000	ASI-SB 19

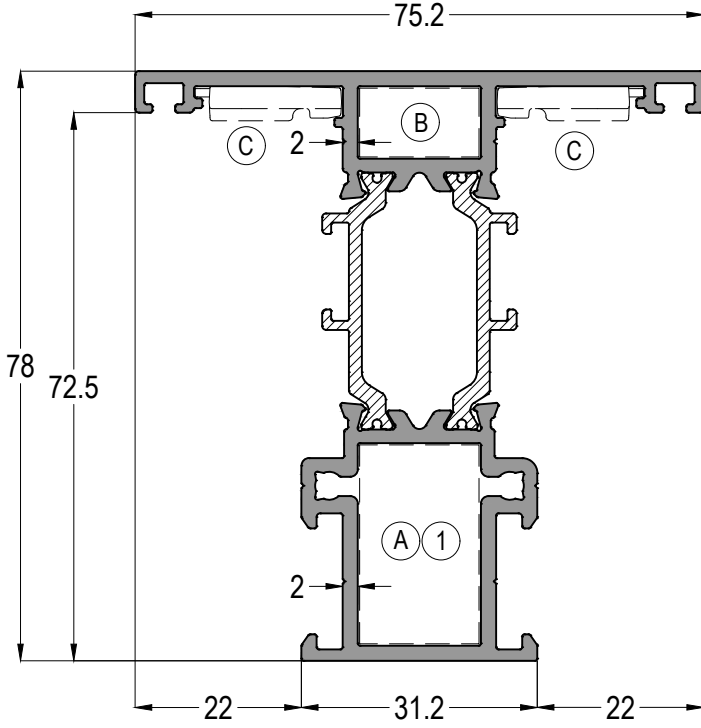


TH78 222		Jx cm <sup>4</sup>	Jy cm <sup>4</sup>
		53,72	18,02
AĞIRLIK / Weight		1,937 kg/mt	
A	B	C	1
ASI-KT 2660-ASI-PB 2326	ASI-KT 2308	ASI-FUJJI 2000	ASI-DB 9123

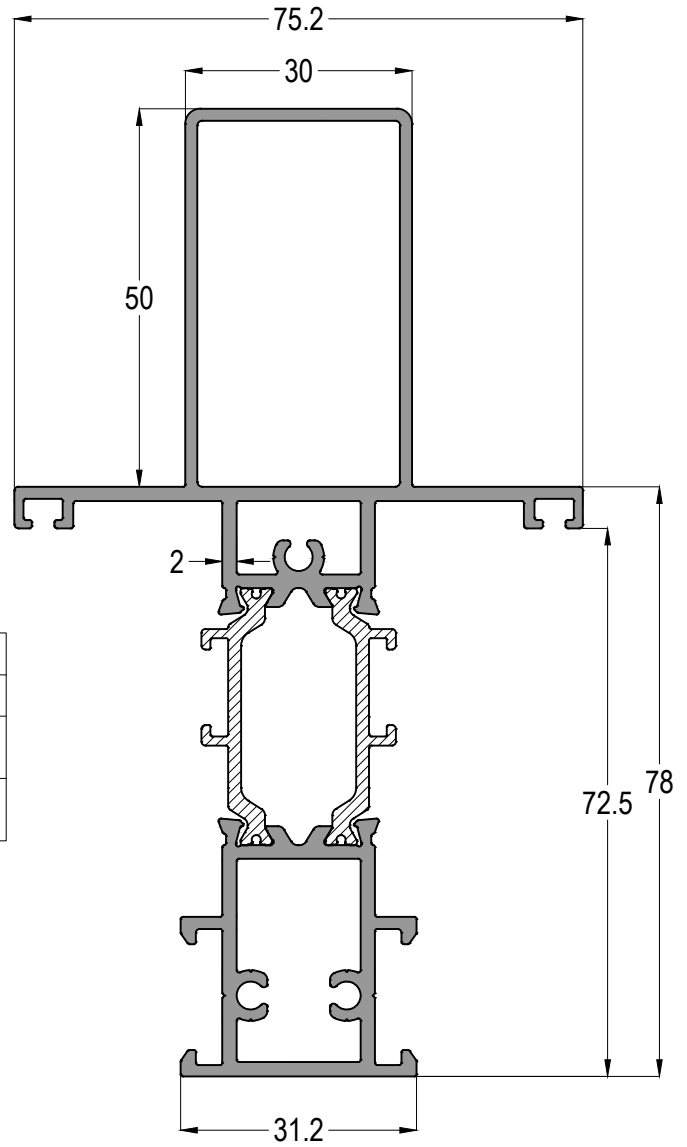
# TH78 - THS78

YALITIMLI KAPI-PENCERE SİSTEMİ  
THERMAL WINDOW&DOOR SYSTEM

## ASISTAL



TH78 226				Jx cm <sup>4</sup>	Jy cm <sup>4</sup>
				40,30	13,88
(A)	(B)	(C)	(1)	AĞIRLIK / Weight	
ASI-KT 1626	ASI-KT 1609	ASI-FUJII 2000	ASI-DB 9116	1,733 kg/mt	



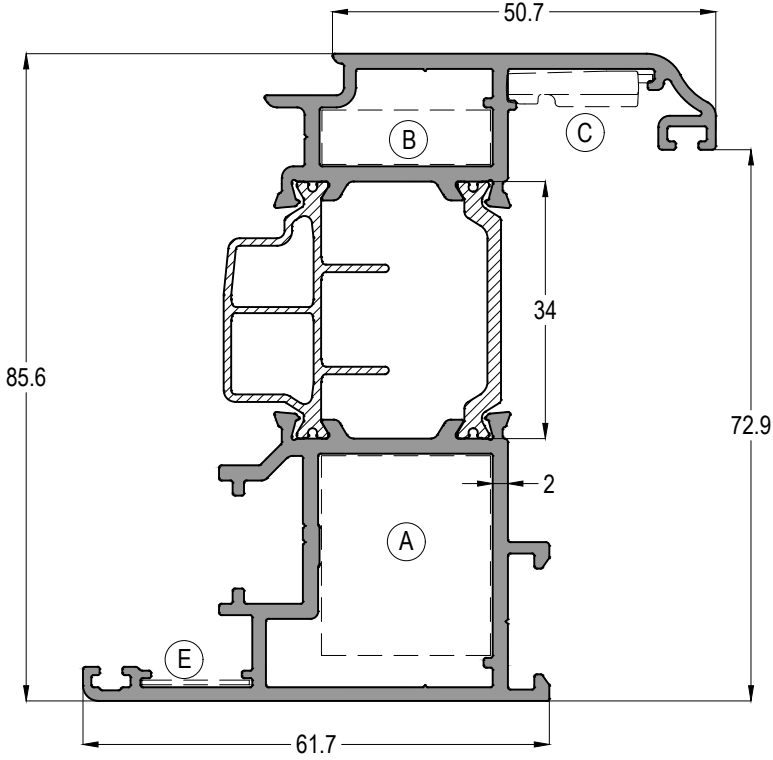
TH78 225	Jx cm <sup>4</sup>	Jy cm <sup>4</sup>
	119,24	16,41
	AĞIRLIK / Weight	
	2,276 kg/mt	

# TH78 - THS78

YALITIMLI KAPI-PENCERE SİSTEMİ  
THERMAL WINDOW&DOOR SYSTEM

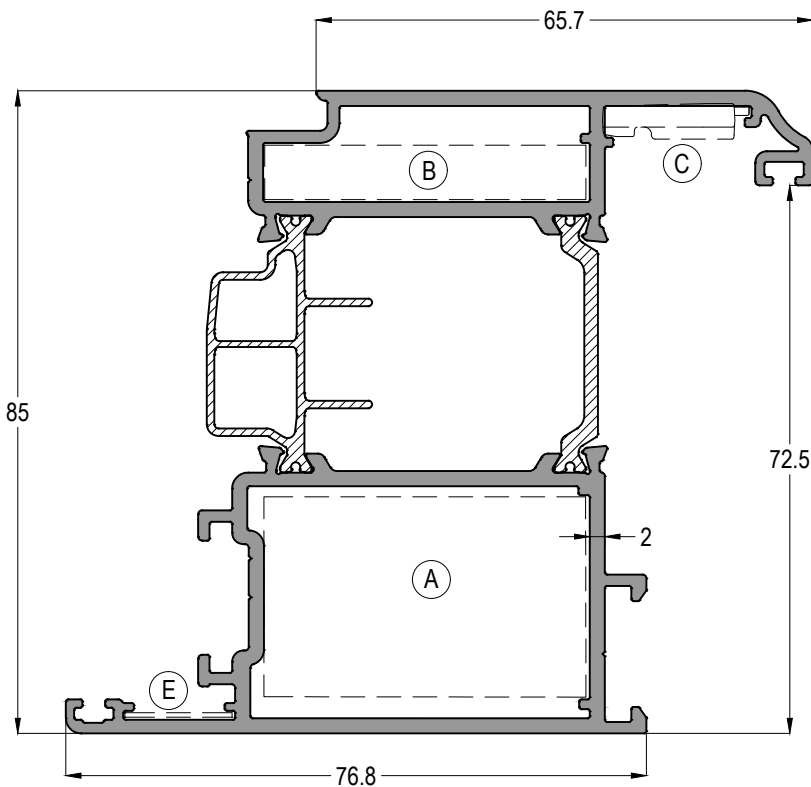
**ASISTAL**

## 2 mm ET KALINLIĞINDA SİSTEM PROFİLLERİ 2 mm THICKNESS SYSTEM PROFILES



TH78 214				Jx cm <sup>4</sup>	Jy cm <sup>4</sup>
				71,36	25,10
AĞIRLIK / Weight					
2,063 kg/mt					

A	B	C	E
ASI-KT 2660-ASI-PB 2326	ASI-KT 2308	ASI-FUJİ 2000	ASI-SB 19.1



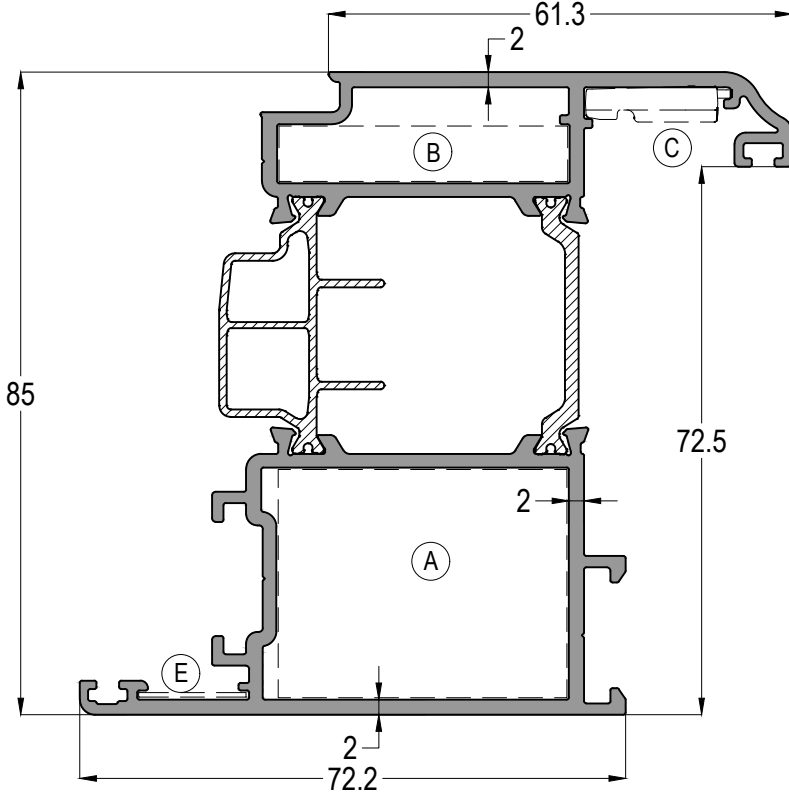
TH78 212				Jx cm <sup>4</sup>	Jy cm <sup>4</sup>
				84,00	50,54
AĞIRLIK / Weight					
2,295 kg/mt					

A	B	C	E
ASI-KT 2650-ASI-PB 2650	ASI-KT 4308	ASI-FUJİ 2000	ASI-SB 19.1

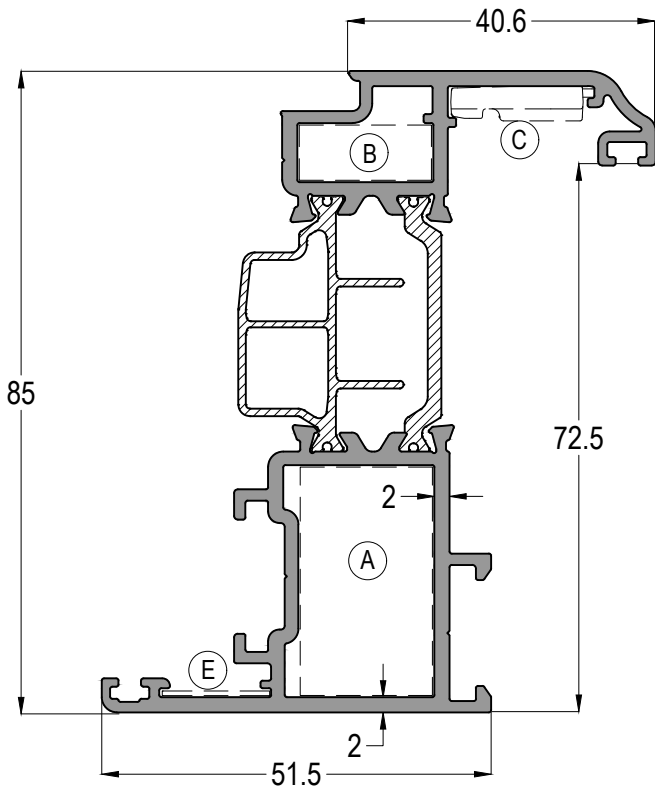
Profil ağırlıklarımız teorik olup; teslim anındaki tartımız geçerlidir.



2 mm ET KALINLIĞINDA SİSTEM PROFİLLERİ  
2 mm THICKNESS SYSTEM PROFILES

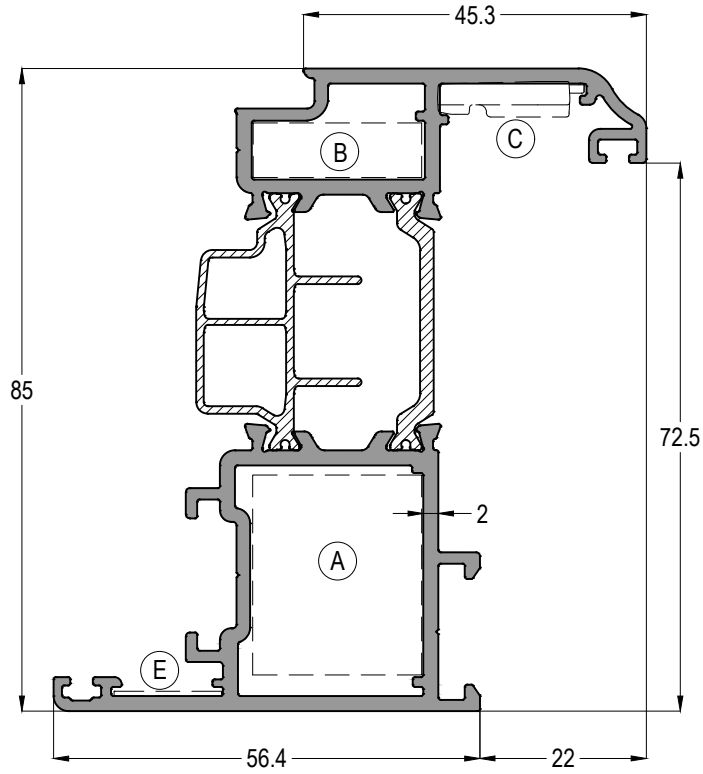





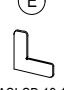
TH78 215				Jx cm <sup>4</sup>	Jy cm <sup>4</sup>
				34,13	27,60
(A)	(B)	(C)	(E)	AĞIRLIK / Weight	
ASI-KT 3830	ASI-KT 3807	ASI-FUJJI 2000	ASI-SB 19.1	2,235 kg/mt	



TH78 216				Jx cm <sup>4</sup>	Jy cm <sup>4</sup>
				13,25	5,79
(A)	(B)	(C)	(E)	AĞIRLIK / Weight	
ASI-KT 1830	ASI-KT 1807	ASI-FUJJI 2000	ASI-SB 19.1	1,809 kg/mt	

2 mm ET KALINLIĞINDA SİSTEM PROFİLLERİ  
2 mm THICKNESS SYSTEM PROFILES



TH78 211				Jx cm <sup>4</sup>	Jy cm <sup>4</sup>
				63,31	19,21
				AĞIRLIK / Weight	
				1,941kg/mt	
					
ASI-KT 2660-ASI-PB 2326	ASI-KT 2308	ASI-FUJII 2000	ASI-SB 19.1		

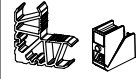
# TH78 - THS78

YALITIMLI KAPI-PENCERE SİSTEMİ  
THERMAL WINDOW&DOOR SYSTEM



2 mm ET KALINLIĞINDA SİSTEM PROFİLLERİ  
2 mm THICKNESS SYSTEM PROFILES

## TH78 213



ASI-KT 2650-ASI-PB 2650



ASI-KT 4308



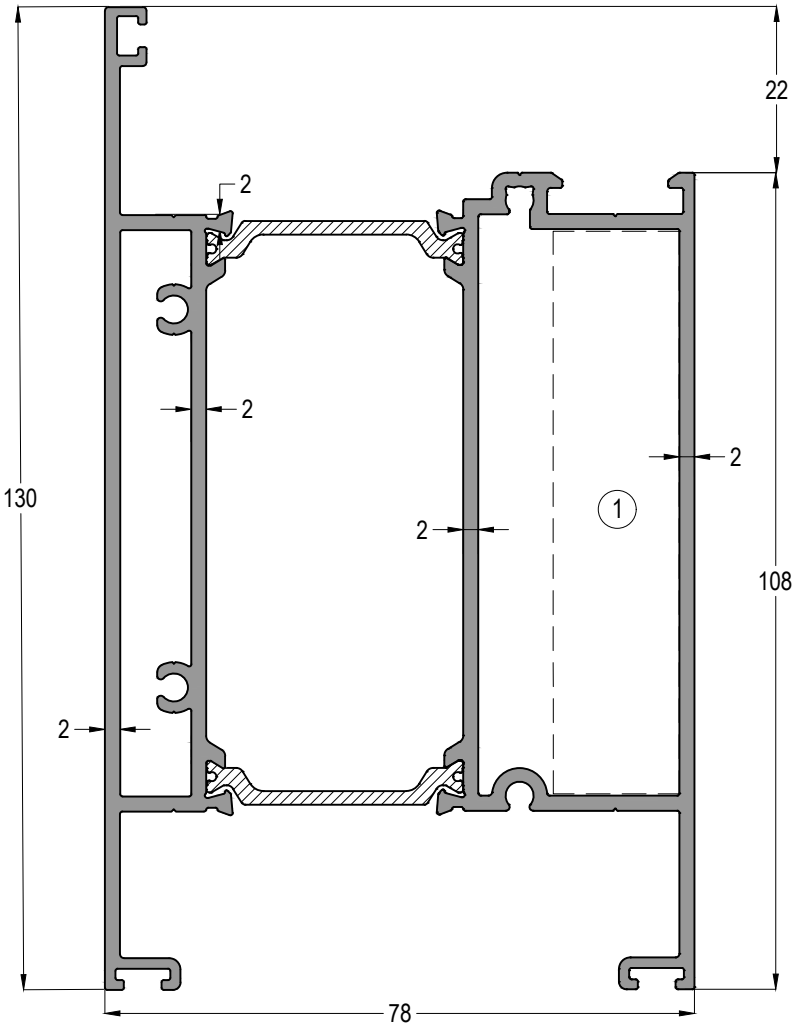
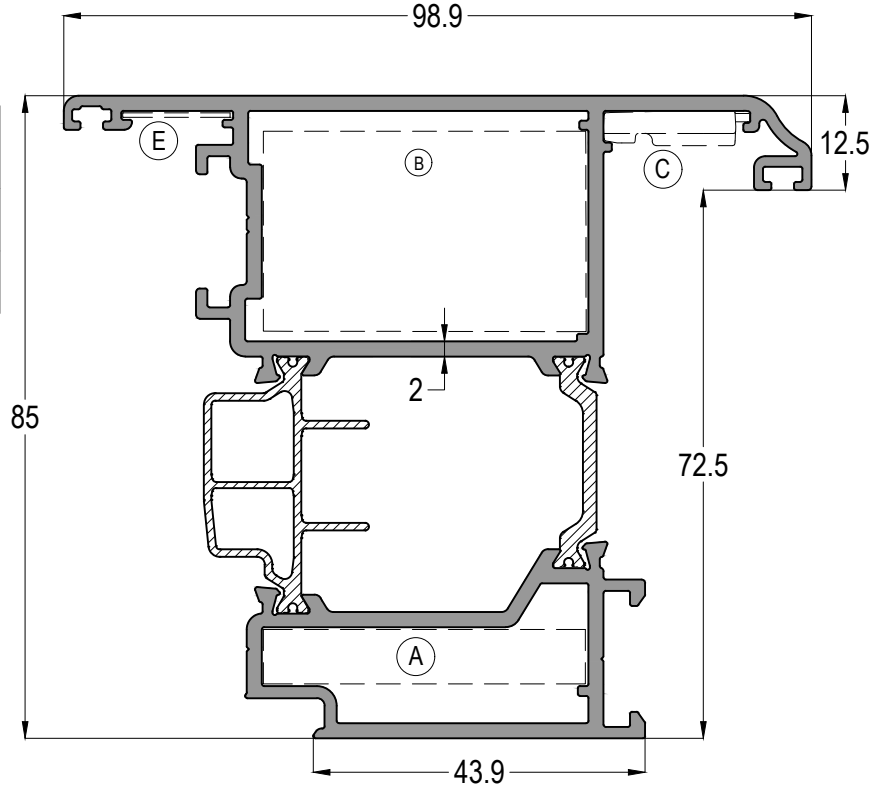
ASI-FUJI 2000



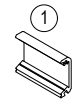
ASI-SB 19.1

AĞIRLIK / Weight

2,440 kg/mt



## TH78 231



ASI-DB 9174


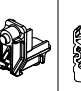

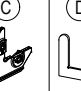
AĞIRLIK / Weight

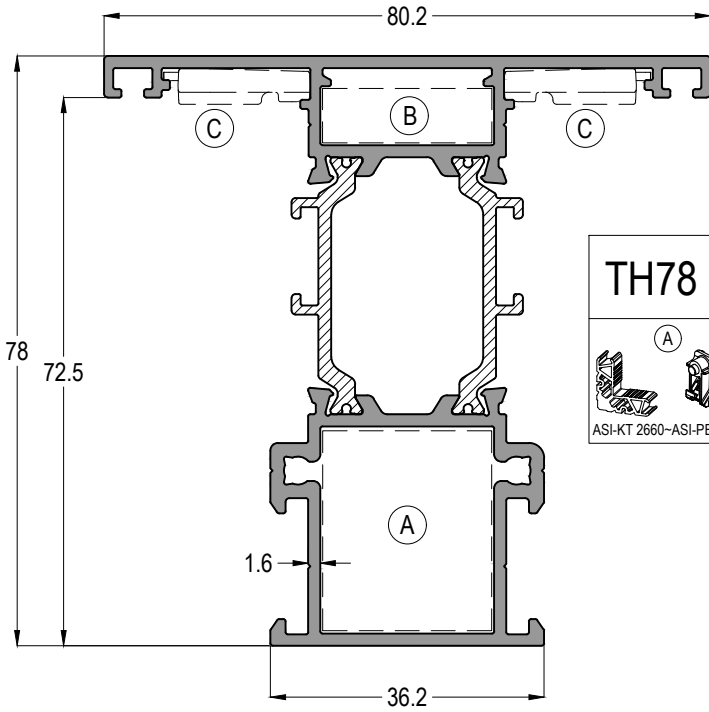
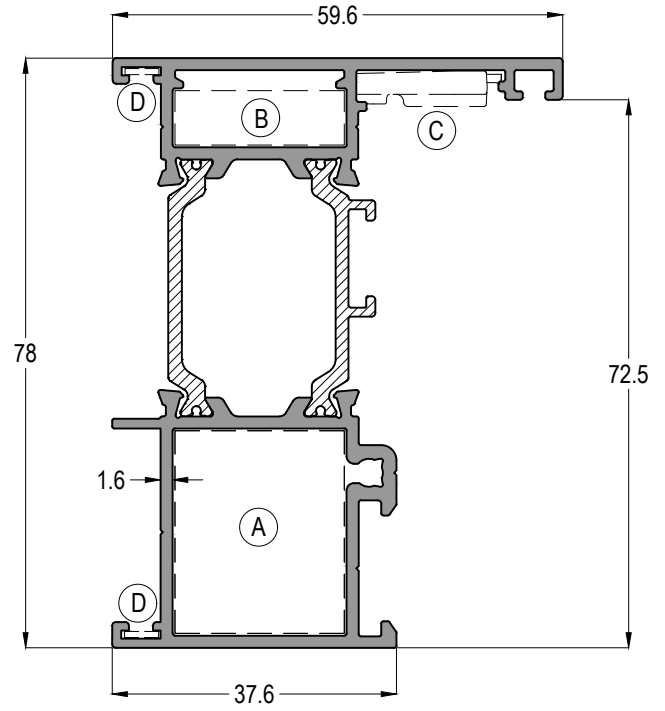
3,165 kg/mt

Profil ağırlıklarımız teorik olup; teslim anındaki tartımız geçerlidir.


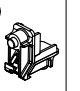
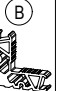

### 1,6 mm ET KALINLIĞINDA SİSTEM PROFİLLERİ 1,6 mm THICKNESS SYSTEM PROFILES

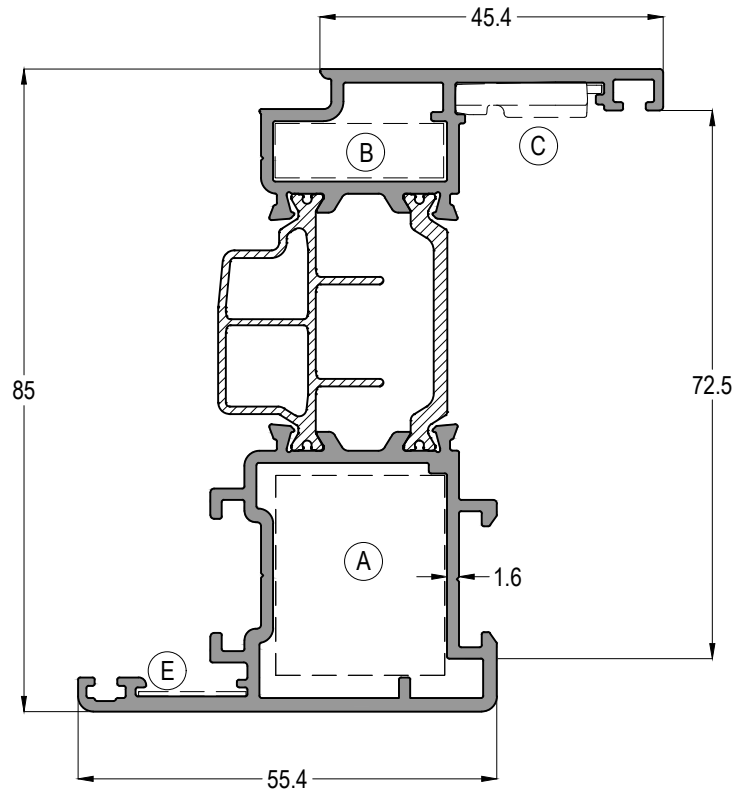
#### TH78 161

				AĞIRLIK / Weight
ASI-KT 2660-ASI-PB 2326	ASI-KT 2308	ASI-FUJJI 2000	ASI-SB 19	1,476 kg/mt

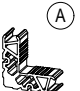
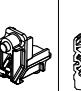
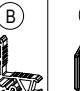
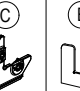


#### TH78 162

	Jx cm <sup>4</sup>	Jy cm <sup>4</sup>		
	47,16	17,10		
				AĞIRLIK / Weight
ASI-KT 2660-ASI-PB 2326	ASI-KT 2308	ASI-FUJJI 2000	ASI-DB 9123	1,647 kg/mt



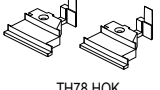
#### TH78 163

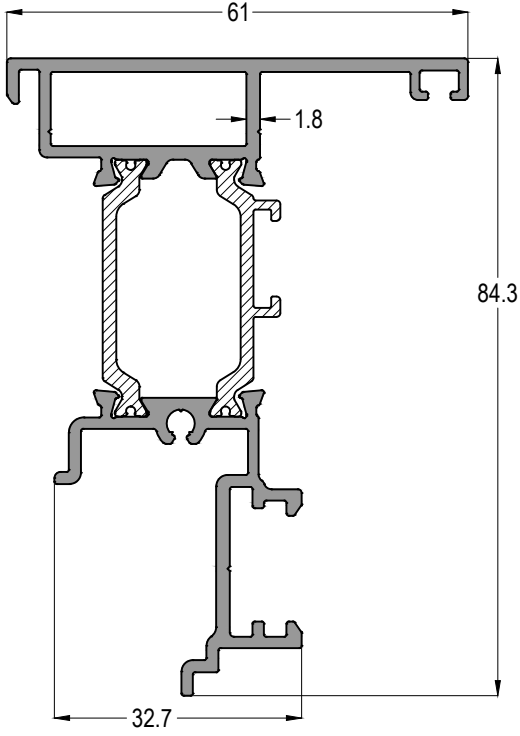
				AĞIRLIK / Weight
ASI-KT 2660-ASI-PB 2326	ASI-KT 2308	ASI-FUJJI 2000	ASI-SB 19.1	1,764 kg/mt




# TH78 - THS78

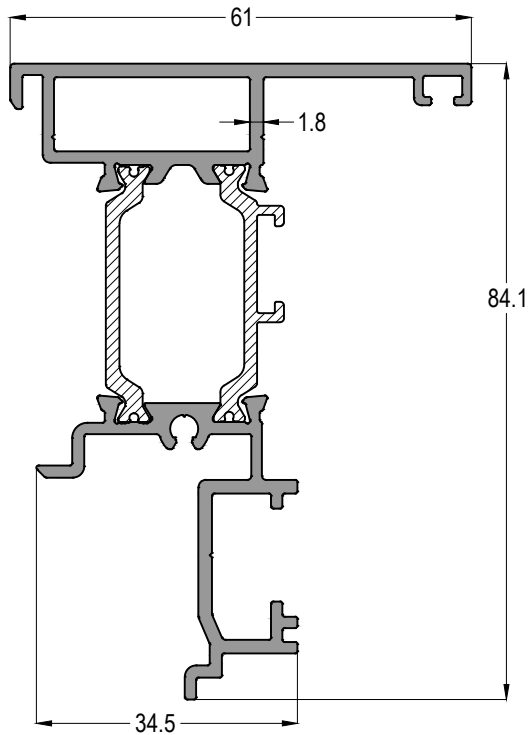
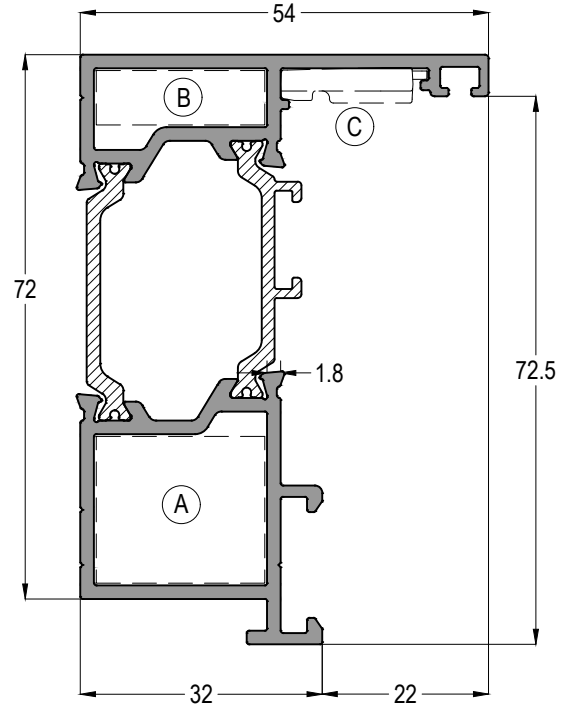
YALITIMLI KAPI-PENCERE SİSTEMİ  
THERMAL WINDOW&DOOR SYSTEM



<b>TH78 41</b>	
 TH78 HOK	AĞIRLIK / Weight 1,377 kg/mt



<b>TH78 43</b>			
 ASI-KT 2319	 ASI-KT 2308	 ASI-FUJII 2000	AĞIRLIK / Weight 1,461 kg/mt



<b>TH78 42</b>	
 TH78 HOK	AĞIRLIK / Weight 1,399 kg/mt

Profil ağırlıklarımız teorik olup; teslim anındaki tartımız geçerlidir.

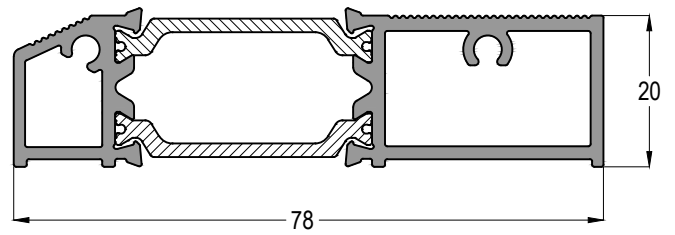
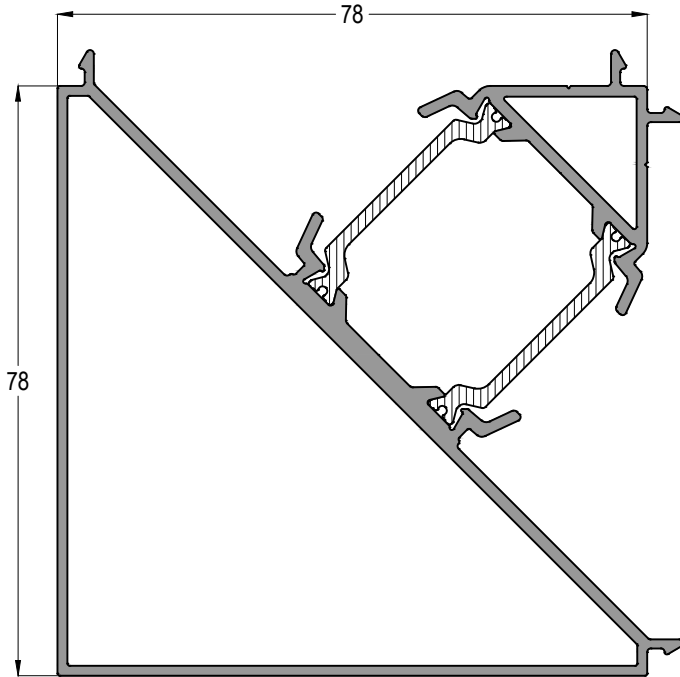
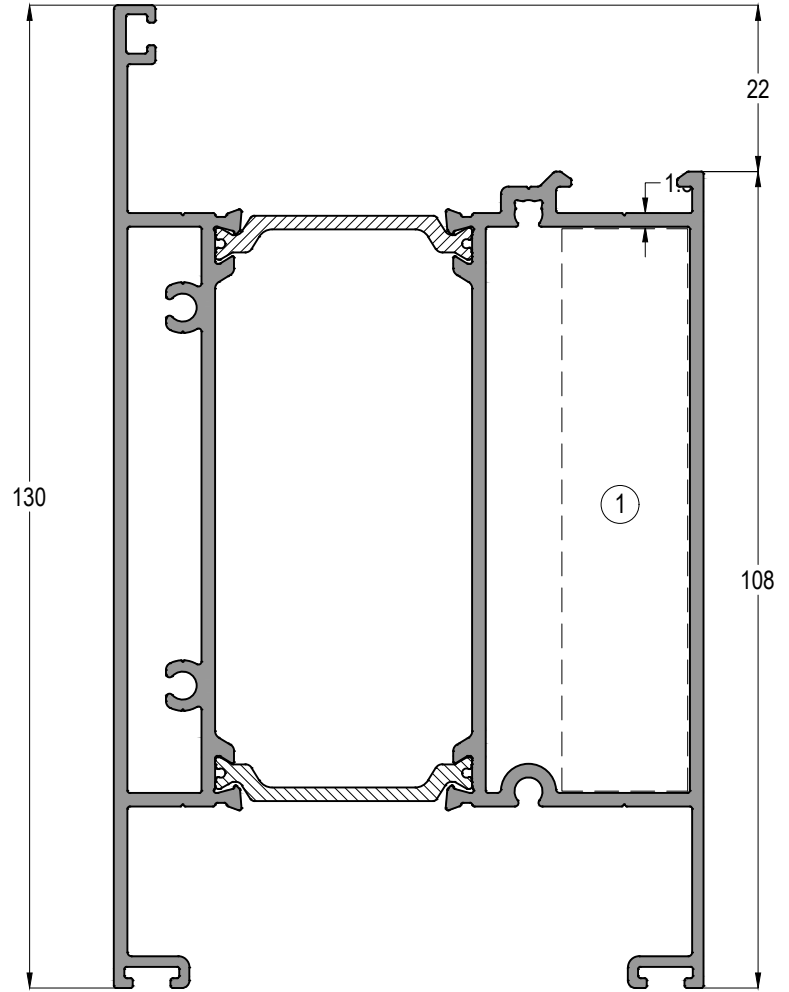
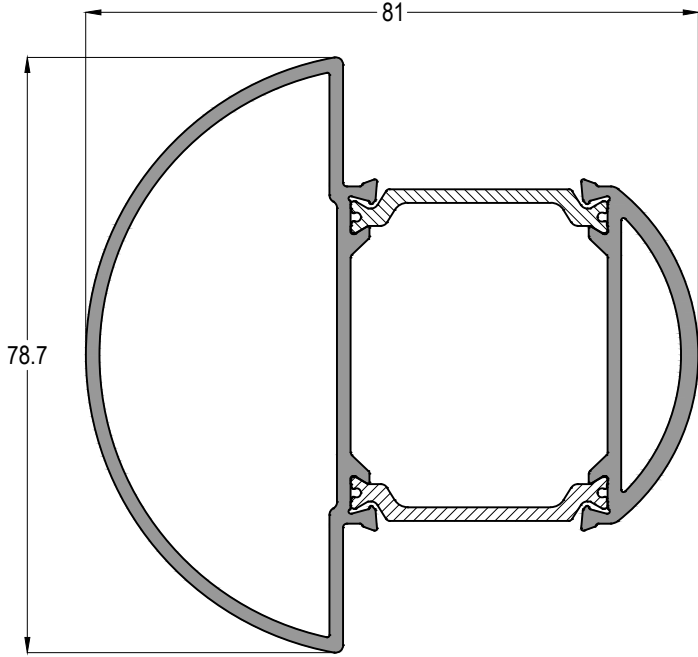
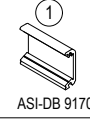
# TH78 - THS78

YALITIMLI KAPI-PENCERE SİSTEMİ  
THERMAL WINDOW&DOOR SYSTEM

## ASISTAL

TH78 52	Jx cm <sup>4</sup>	Jy cm <sup>4</sup>
	31,05	43,95
AĞIRLIK / Weight		
1,751 kg/mt		

TH78 31	Jx cm <sup>4</sup>	Jy cm <sup>4</sup>
	136,54	92,88
AĞIRLIK / Weight		
2,905 kg/mt		



TH78 53	Jx cm <sup>4</sup>	Jy cm <sup>4</sup>
	44,84	52,74
AĞIRLIK / Weight		
1,909 kg/mt		

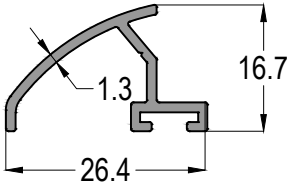
TH78 30	AĞIRLIK / Weight	
	1,107 kg/mt	

Profil ağırlıklarımız teorik olup; teslim anındaki tartımız geçerlidir.

# TH78 - THS78

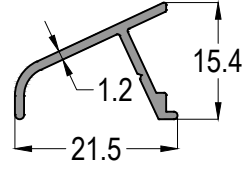
YALITIMLI KAPI-PENCERE SİSTEMİ  
THERMAL WINDOW&DOOR SYSTEM

## ASISTAL



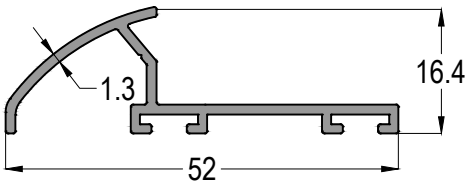
12-01

0,198 kg/mt



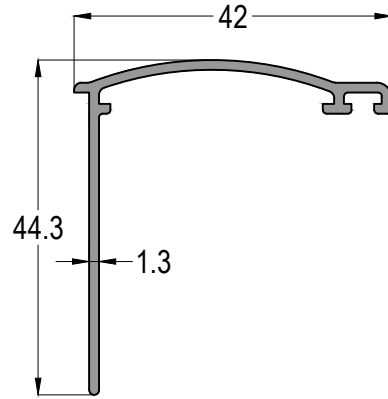
12-02

0,136 kg/mt



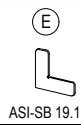
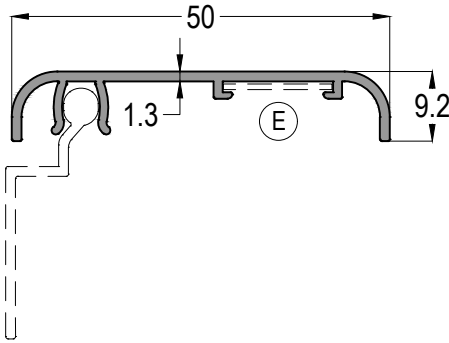
12-03

0,313 kg/mt



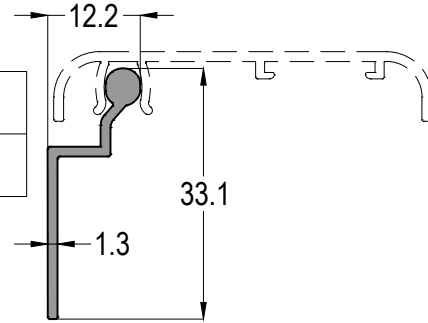
12-54

0,326 kg/mt



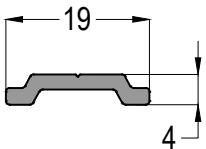
12-52

0,279 kg/mt



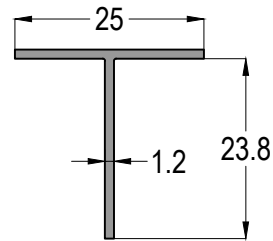
12-53

0,177 kg/mt



12-41

0,118 kg/mt



04-025025-12

0,158 kg/mt

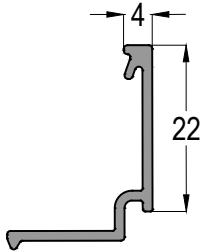
# TH78 - 1,8mm

YALITIMLI KAPI-PENCERE SİSTEMİ  
THERMAL WINDOW&DOOR SYSTEM

## ASISTAL

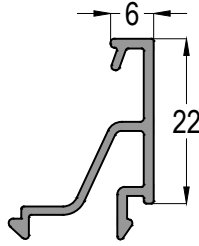
11-004

0,181 kg/mt



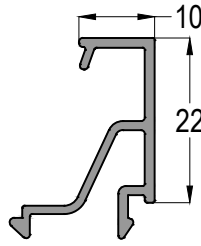
11-006

0,218 kg/mt



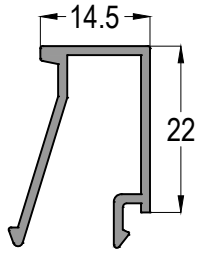
11-010

0,233 kg/mt



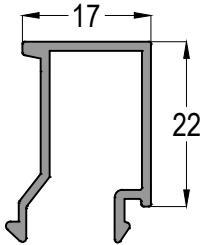
11-015

0,241 kg/mt



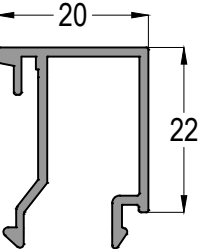
11-017

0,250 kg/mt



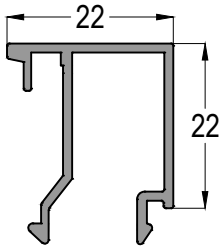
11-020

0,276 kg/mt



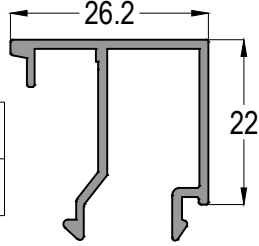
11-022

0,282 kg/mt



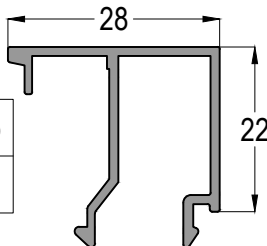
11-026

0,296 kg/mt



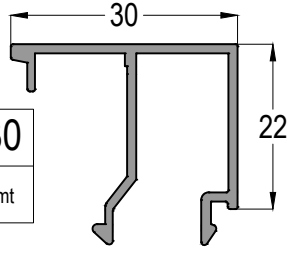
11-028

0,302 kg/mt



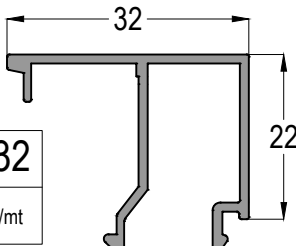
11-030

0,308 kg/mt



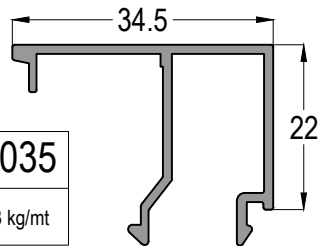
11-032

0,315 kg/mt



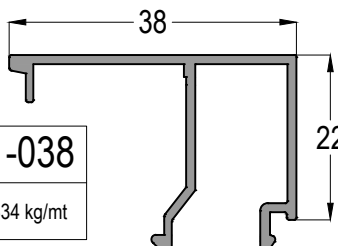
11-035

0,323 kg/mt



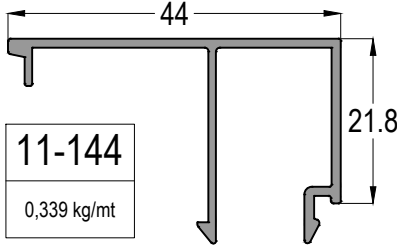
11-038

0,334 kg/mt



11-144

0,339 kg/mt

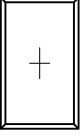
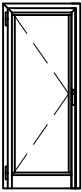
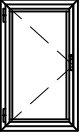
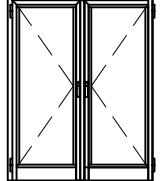
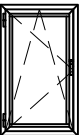

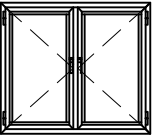
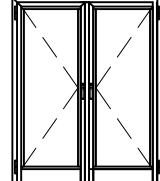
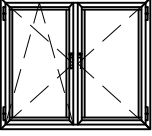
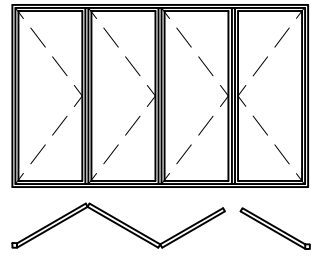
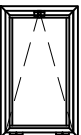
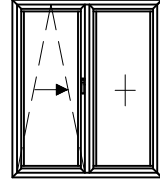


CAM KALINLIĞINA GÖRE CAM ÇITASI SEÇİM TABLOSU  
Glazing Bead Selection Table according to the Glass Thickness

CAM KALINLIĞI Glass Thickness (mm)	CAM ÇITASI Glazing Bead	İÇ CAM FİTİLİ Glass Gasket (IN)	DIŞ CAM FİTİLİ Glass Gasket (OUT)
20	11-144	EP2-03	EP1-01
26	11-038	EP2-03	EP1-01
28	11-038	EP2-01	EP1-01
29	11-035	KC-06	EP1-01
30	11-035	EP2-03	EP1-01
31	11-035	EP2-02	EP1-01
32	11-032	EP2-03	EP1-01
33	11-032	EP2-02	EP1-01
34	11-030	EP2-03	EP1-01
35	11-030	EP2-02	EP1-01
36	11-028	EP2-03	EP1-01
37	11-028	EP2-02	EP1-01
38	11-026	EP2-03	EP1-01
39	11-026	EP2-02	EP1-01
40	11-026	EP2-01	EP1-01
42	11-022	EP2-03	EP1-01
43	11-022	EP2-02	EP1-01
44	11-020	EP2-03	EP1-01
45	11-020	EP2-02	EP1-01
46	11-017	KC-07	EP1-01
47	11-017	EP2-03	EP1-01
48	11-017	EP2-02	EP1-01
50	11-015	EP2-03	EP1-01
52	11-015	EP2-01	EP1-01
54	11-010	EP2-03	EP1-01
55	11-010	EP2-02	EP1-01
57	11-006	KC-07	EP1-01
58	11-006	KC-06	EP1-01
59	11-006	EP2-03	EP1-01
60	11-004	KC-06	EP1-01
62	11-004	EP2-01	EP1-01



**AÇILIM TİPLERİ - OPENING TYPES**

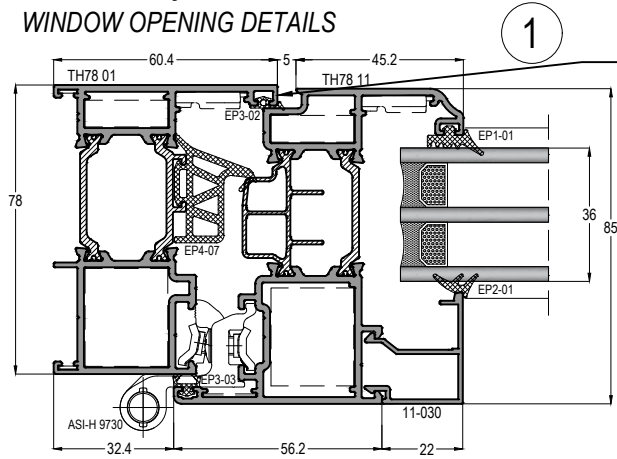
 <p>SABİT <i>FIXED</i></p>	 <p>TEK KANAT İÇE AÇILIR KAPI <i>SINGLE INNER OPENING DOOR</i></p>
 <p>TEK AÇILIR KANAT <i>SINGLE OPENING SASH</i></p>	 <p>ÇİFT KANAT İÇE AÇILIR KAPI <i>DOUBLE INNER OPENING DOOR</i></p>
 <p>TEK KANAT ÇİFT EKSEN AÇILIM KANAT <i>SINGLE TILT-TURN OPENING SASH</i></p>	 <p>TEK KANAT DIŞA AÇILIR KAPI <i>SINGLE OUTER OPENING DOOR</i></p>
 <p>ÇİFT AÇILIR KANAT <i>DOUBLE OPENING SASH</i></p>	 <p>ÇİFT KANAT DIŞA AÇILIR KAPI <i>DOUBLE OUTER OPENING DOOR</i></p>
 <p>ÇİFT EKSEN AÇILIM KANAT <i>DOUBLE TILT-TURN OPENING SASH</i></p>	 <p>KATLANIR KAPI <i>FOLDING DOOR</i></p>
 <p>VASİSTAS AÇILIR KANAT <i>VENT OPENING SASH</i></p>	 <p>PARALEL SÜRME KAPI <i>PARALLEL SLIDING OPENING DOOR</i></p>

**SİSTEM DETAYLARI**  
*SYSTEM DETAILS*

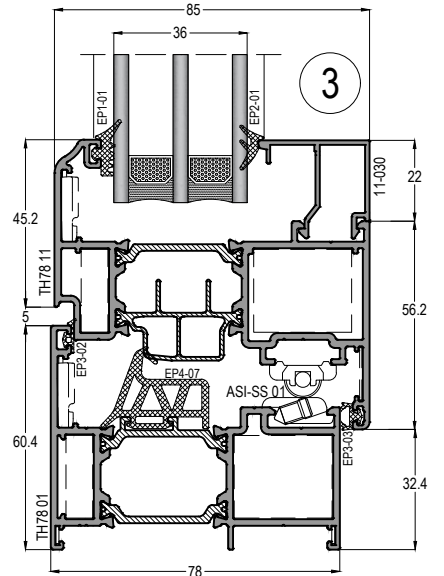
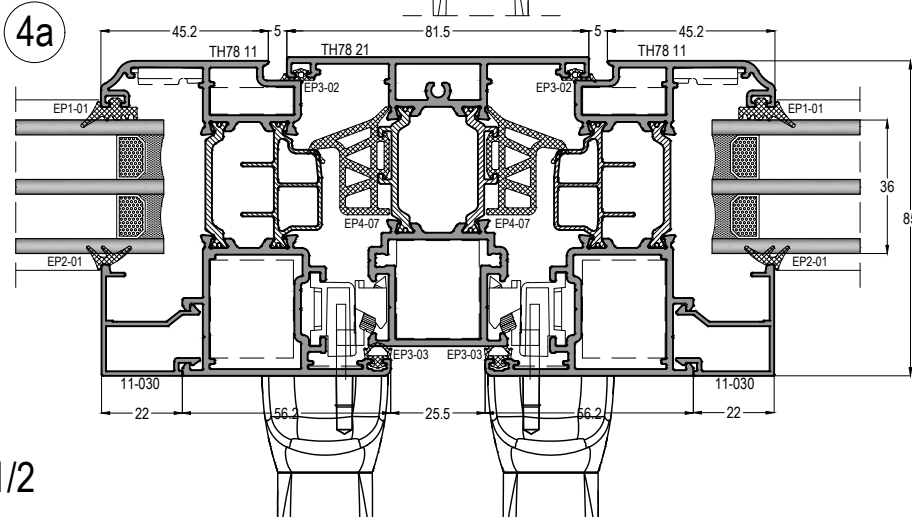
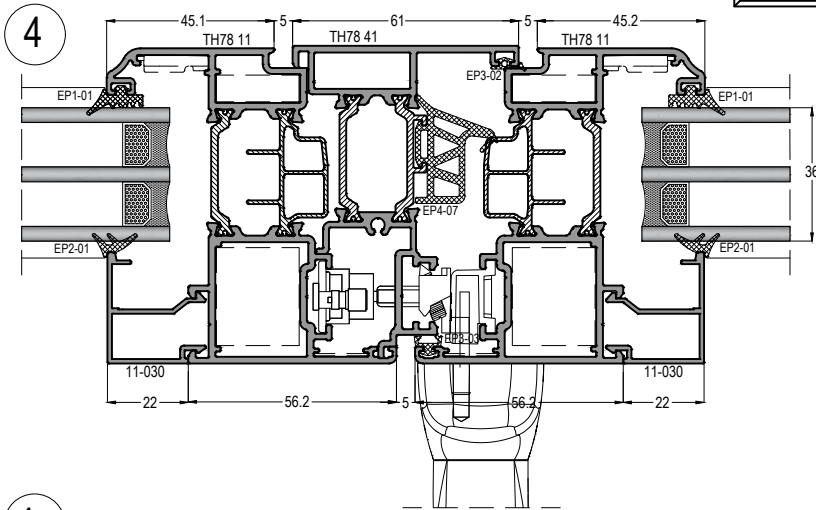
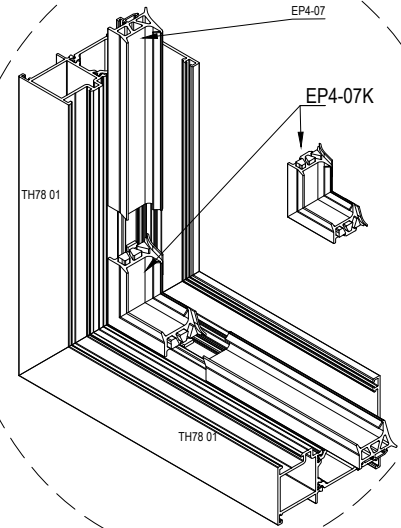
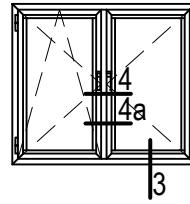
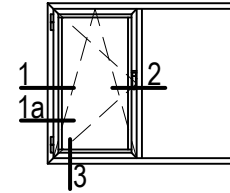
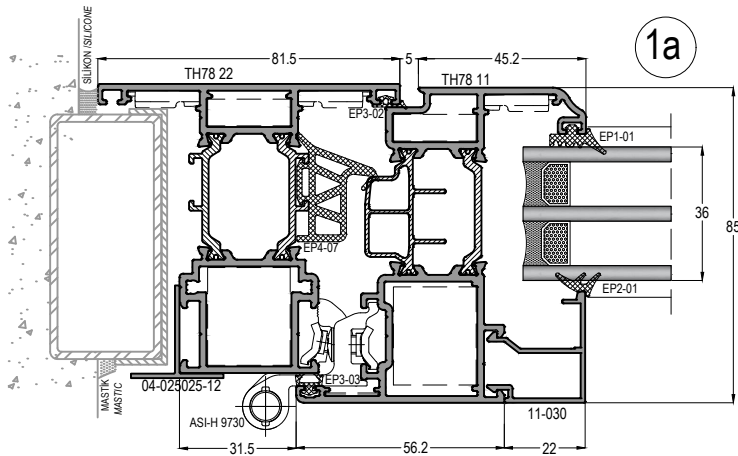
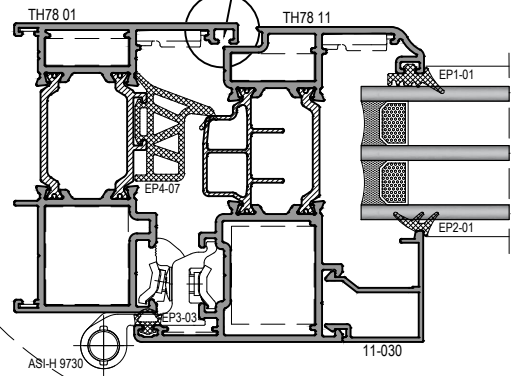
# TH78 - THS78

YALITIMLI KAPI-PENCERE SİSTEMİ  
THERMAL WINDOW&DOOR SYSTEM

## PENCERE AÇILIM DETAYLARI WINDOW OPENING DETAILS



DIŞ BINİ FİTİLİ OLMADAN KULLANILMASI  
ÖNERİLİR, ÖZELLİKLE MAKARALI KİLİT  
UYGULAMALARI İÇİN  
You don't have use out gasket.

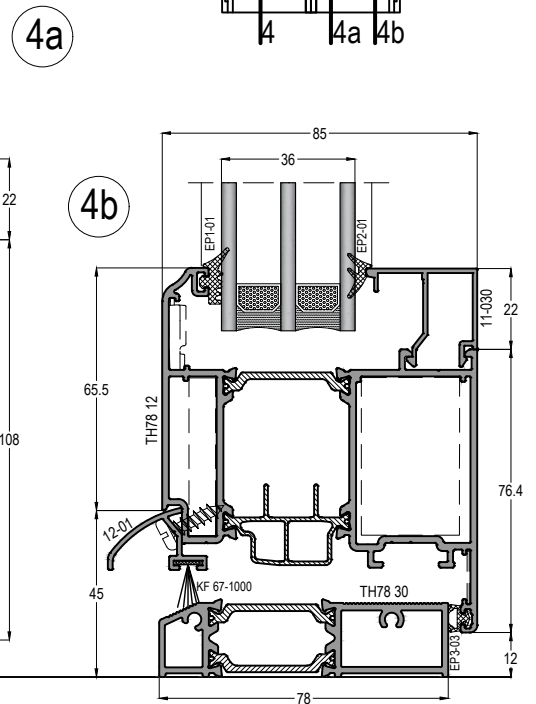
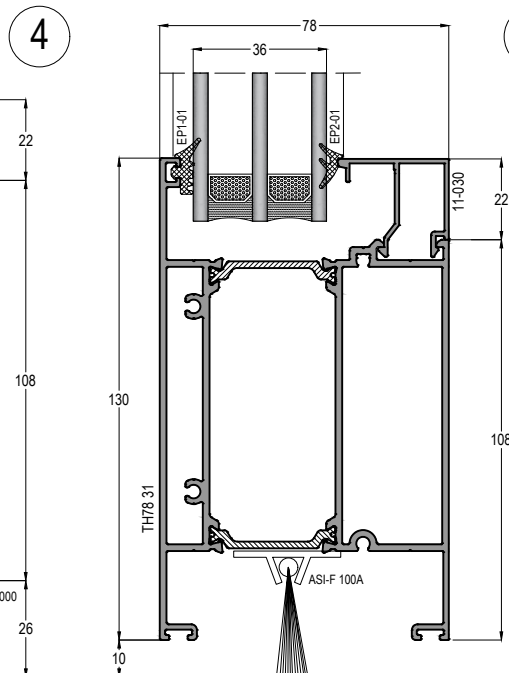
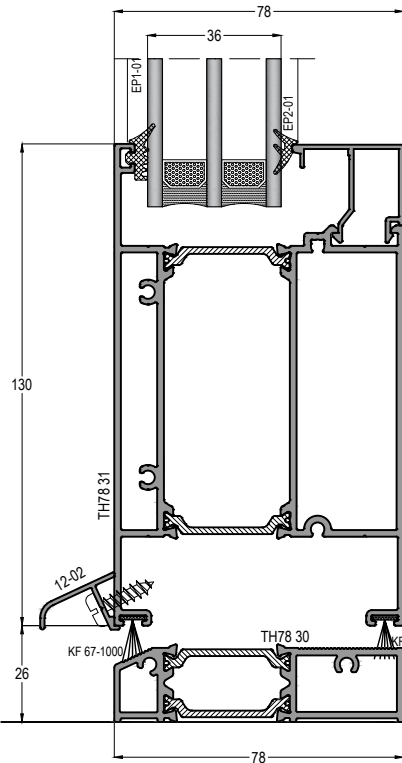
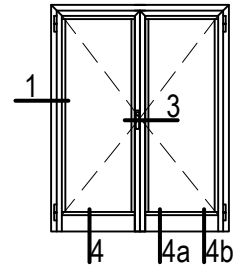
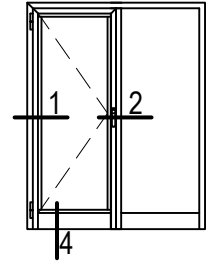
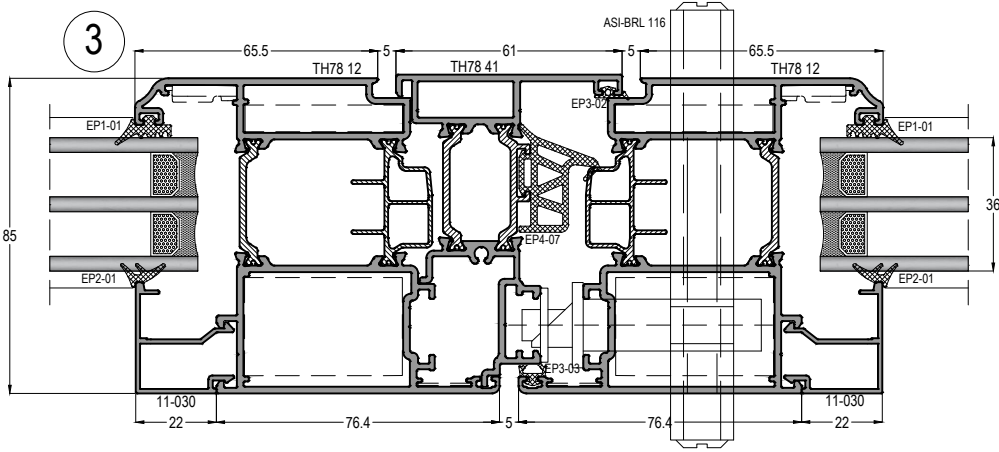
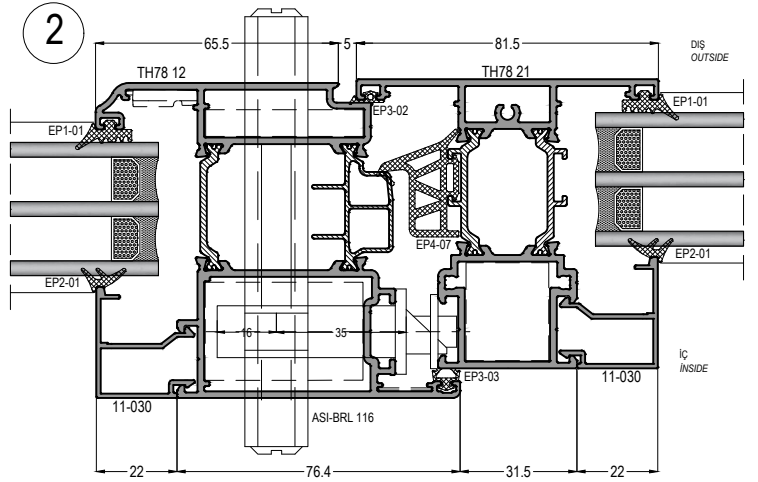
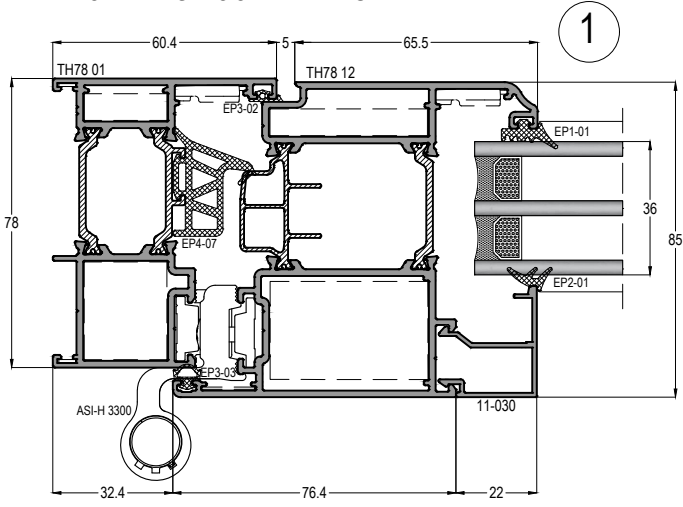


# TH78 - THS78

YALITIMLI KAPI-PENCERE SİSTEMİ  
THERMAL WINDOW&DOOR SYSTEM

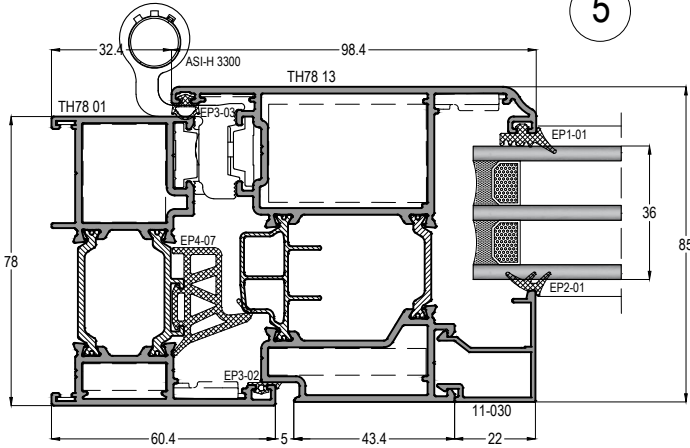


## İÇE AÇILIR KAPI DETAYLARI INNER OPENING DOOR DETAILS

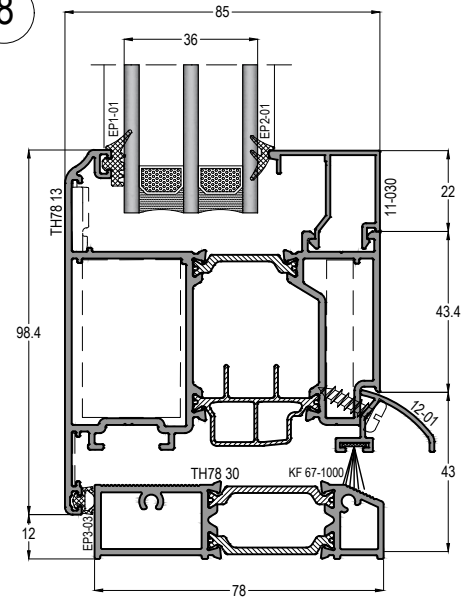


### DIŞA AÇILIR KAPI DETAYLARI OUTER OPENING DOOR DETAILS

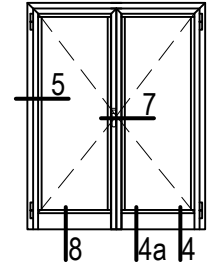
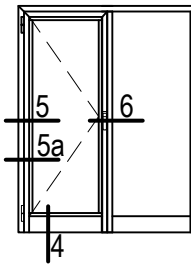
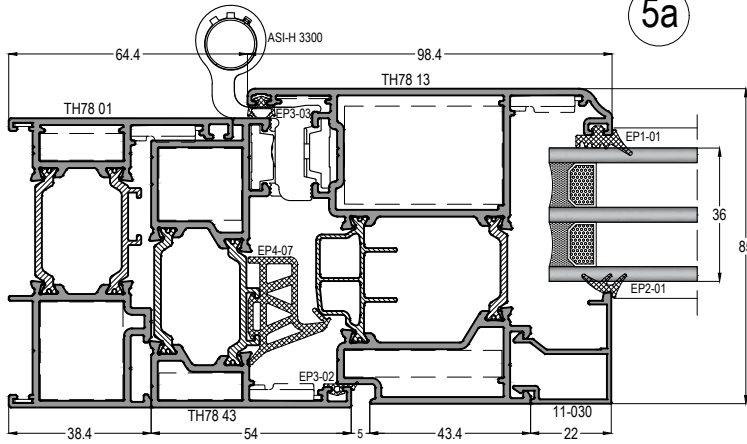
5



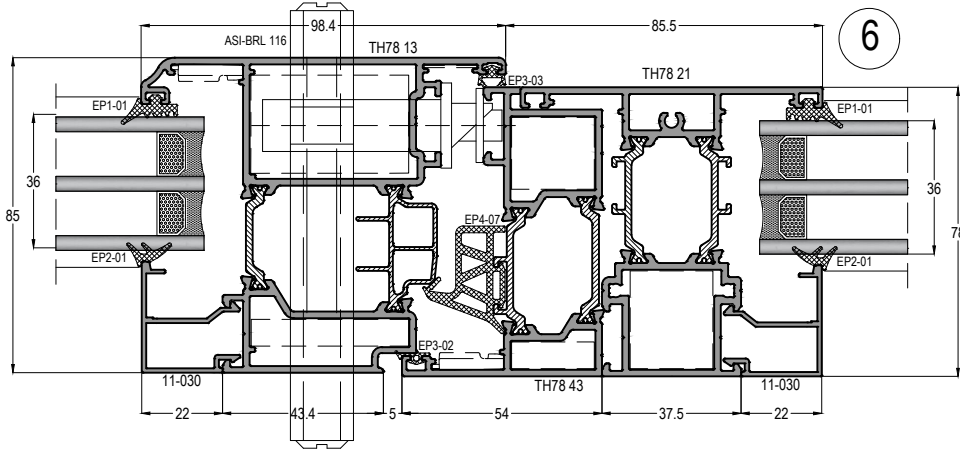
8



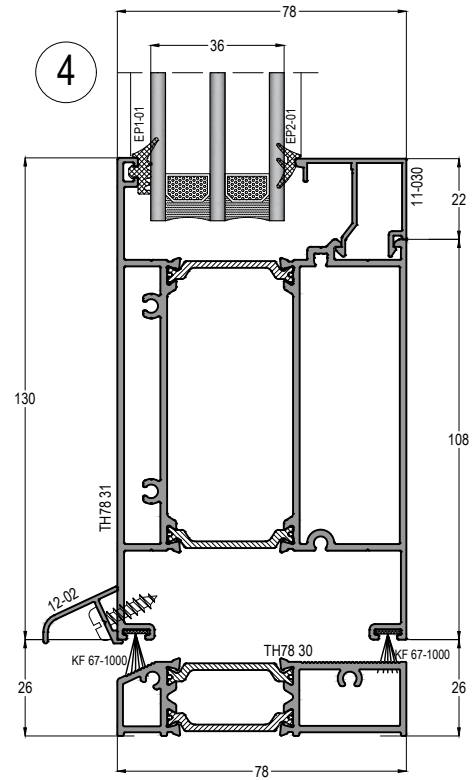
5a



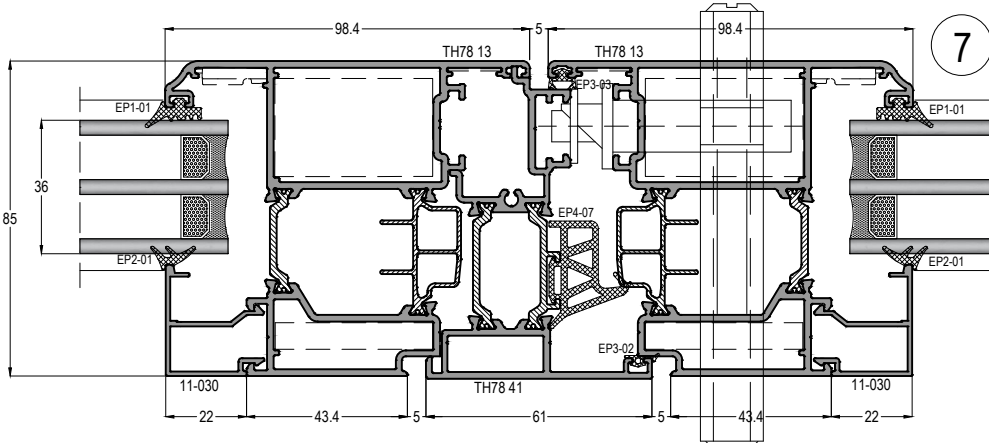
6



4



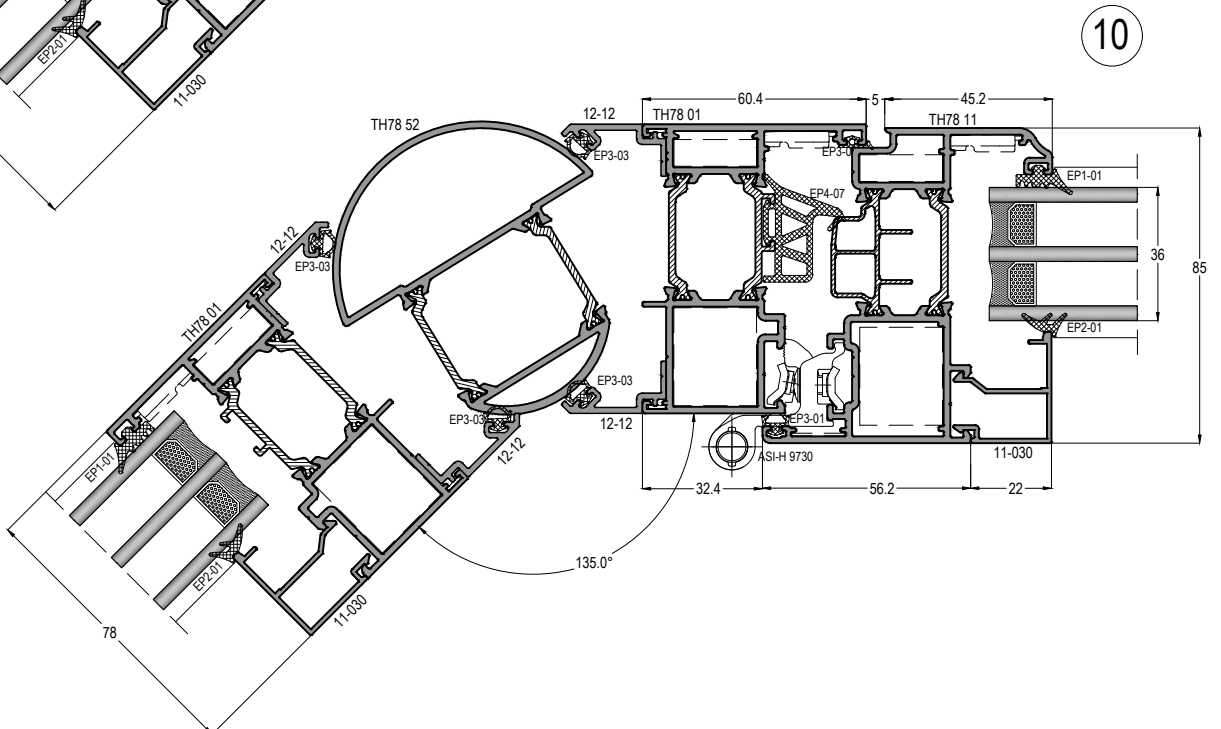
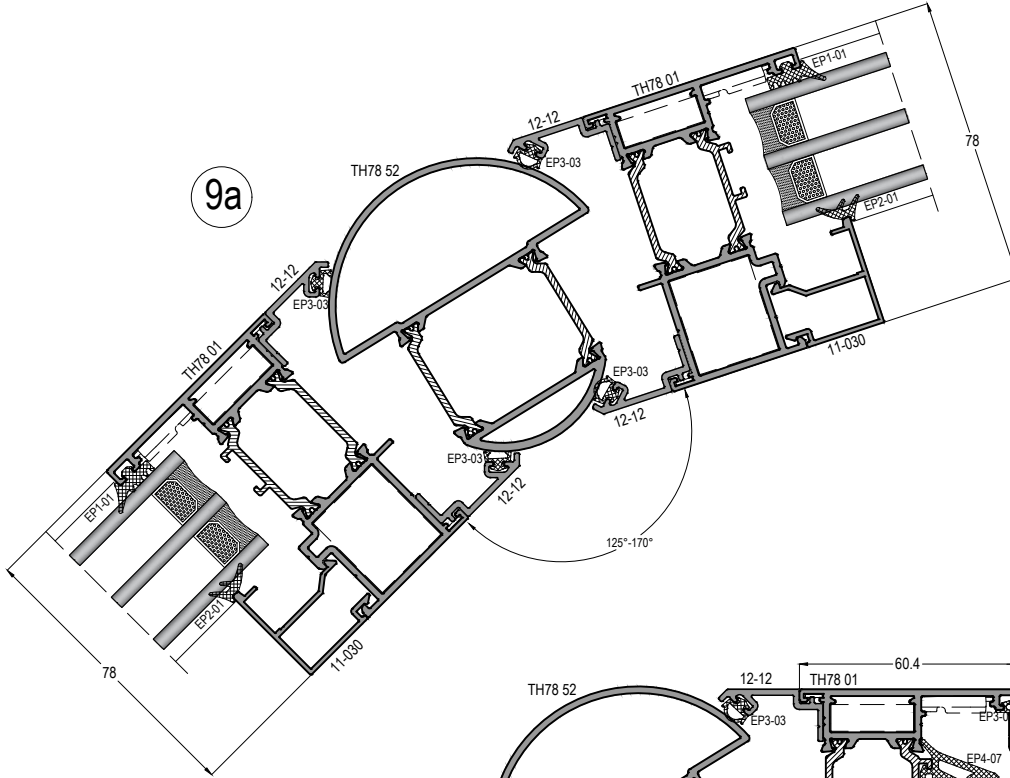
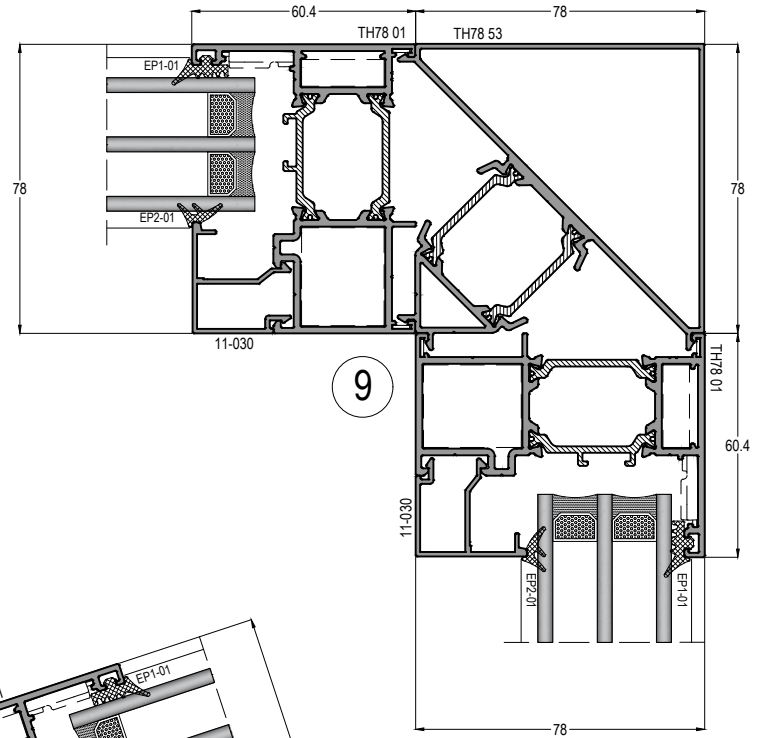
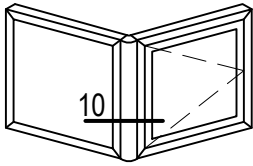
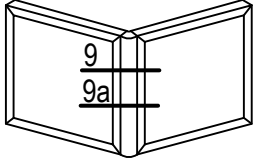
7



# TH78 - THS78

YALITIMLI KAPI-PENCERE SİSTEMİ  
THERMAL WINDOW&DOOR SYSTEM

# ASISTAL

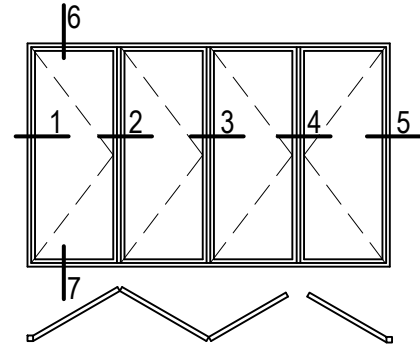
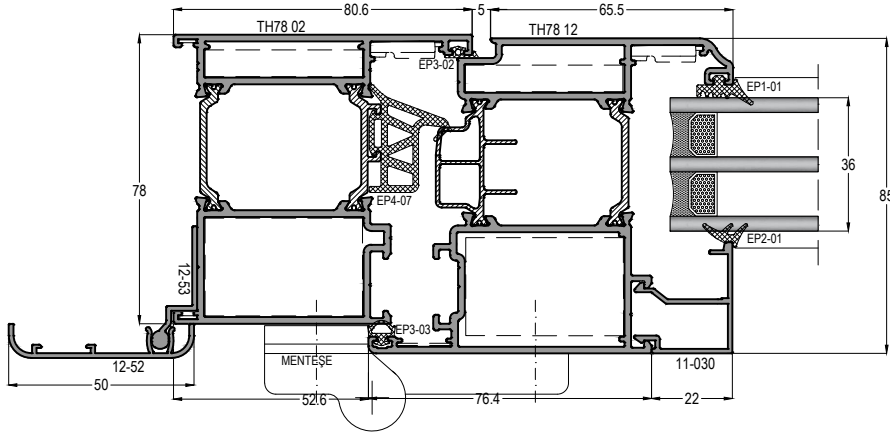


ö: 1/2

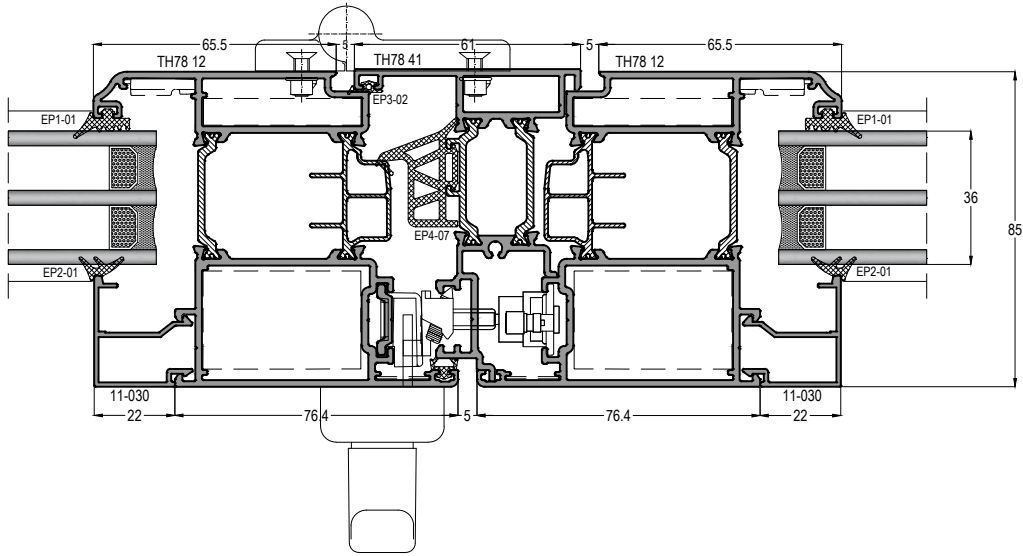
Profil ağırlıklarımız teorik olup; teslim anındaki tartımız geçerlidir.

### KATLANIR KAPI DETAYLARI FOLDING DOOR DETAILS

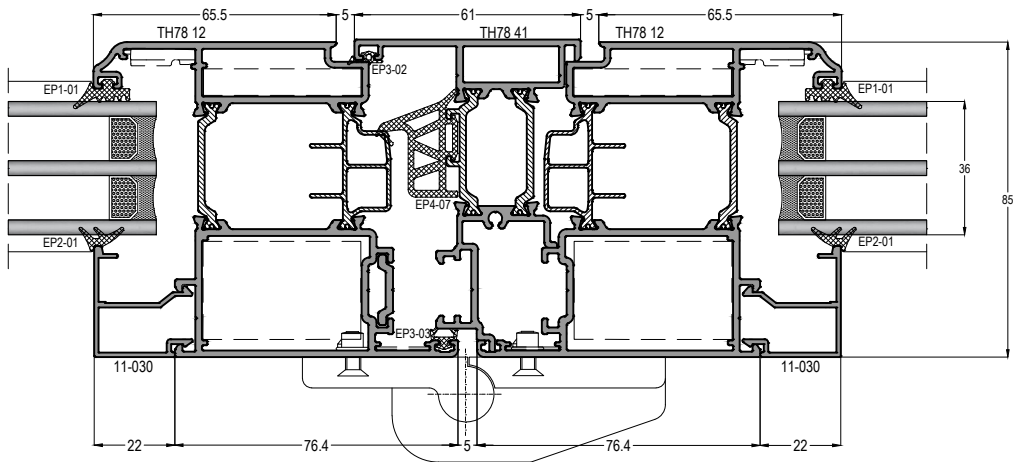
1



2



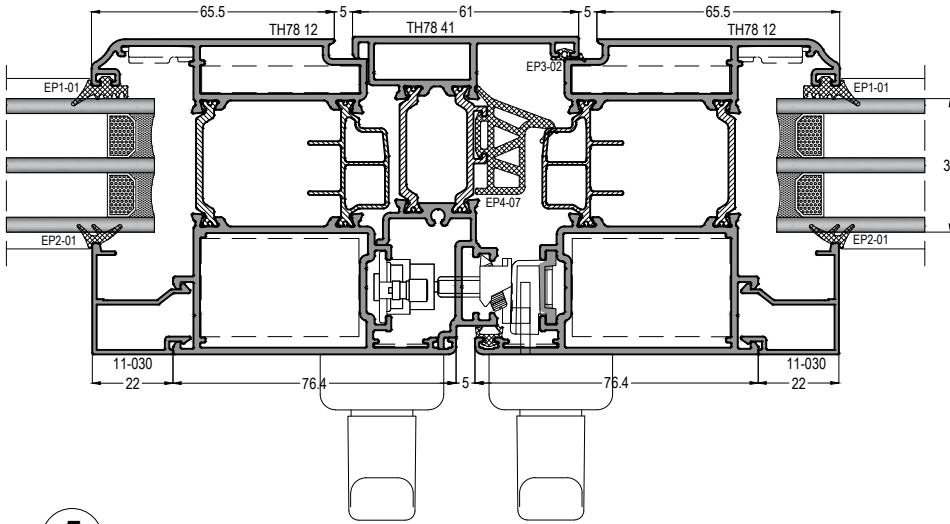
3



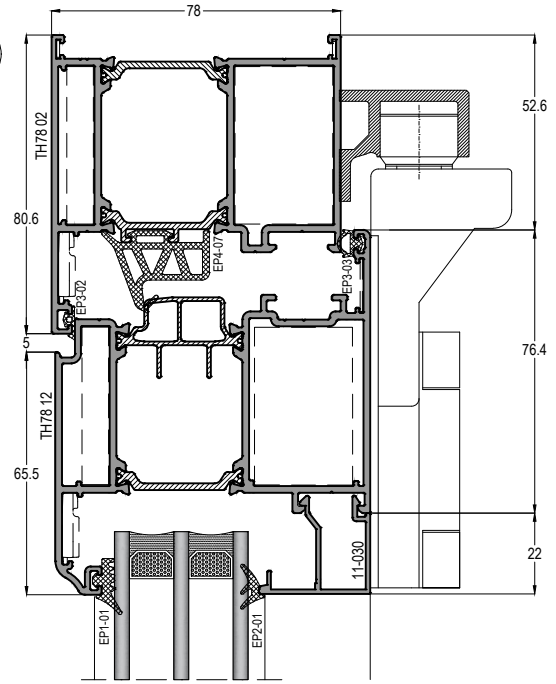


### KATLANIR KAPI DETAYLARI FOLDING DOOR DETAILS

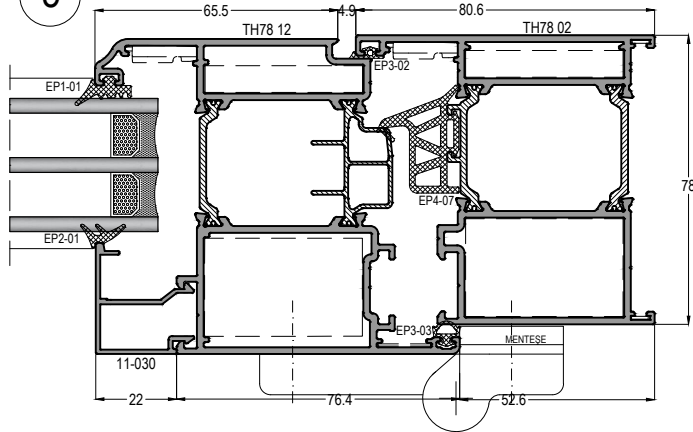
4



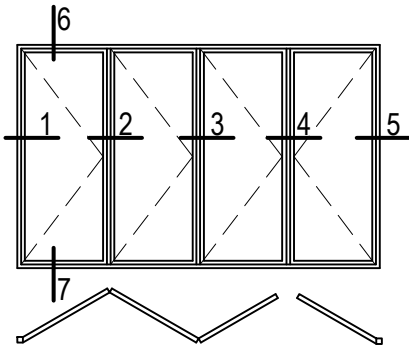
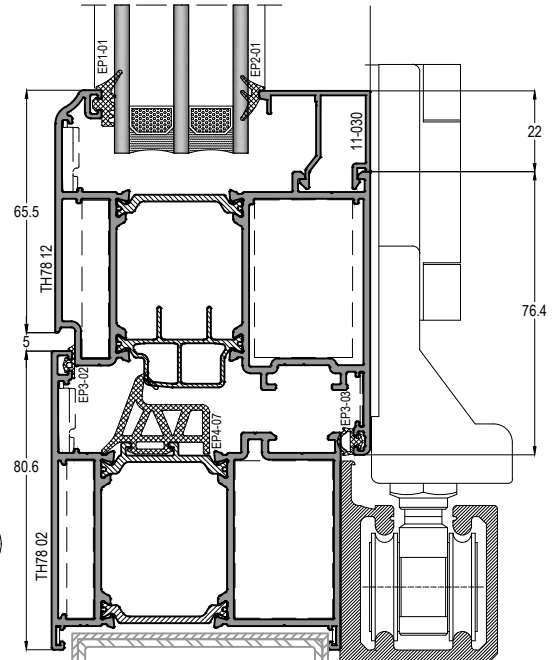
6



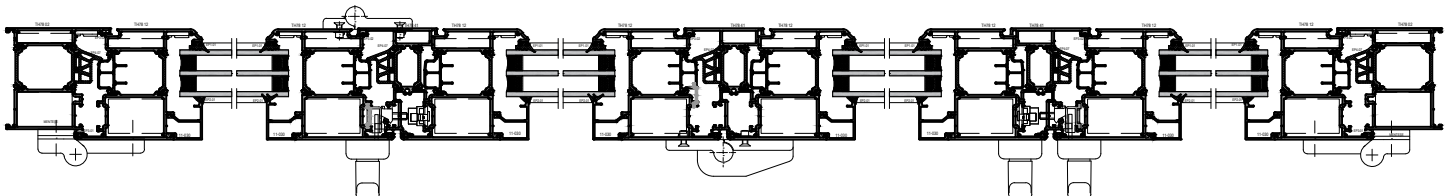
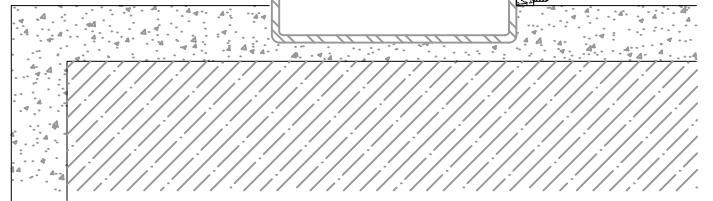
5



7

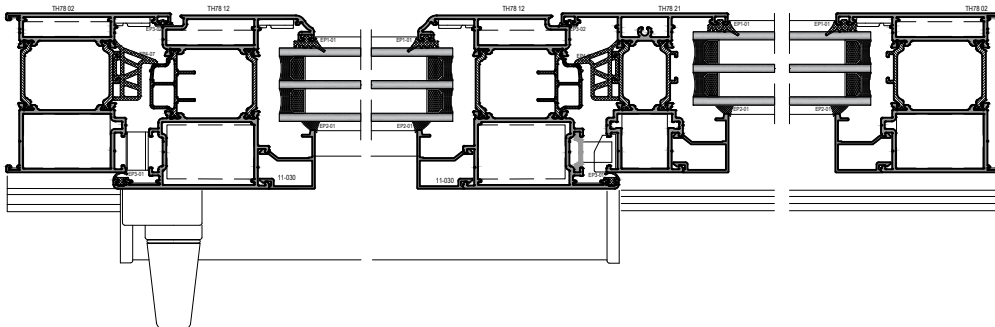
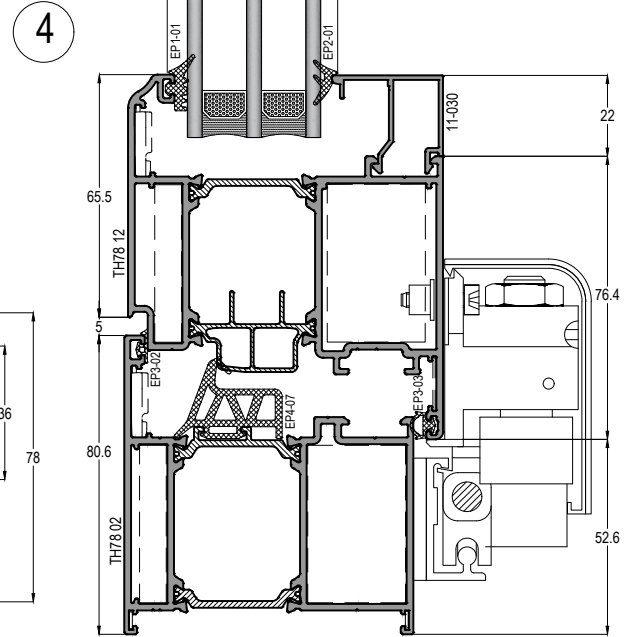
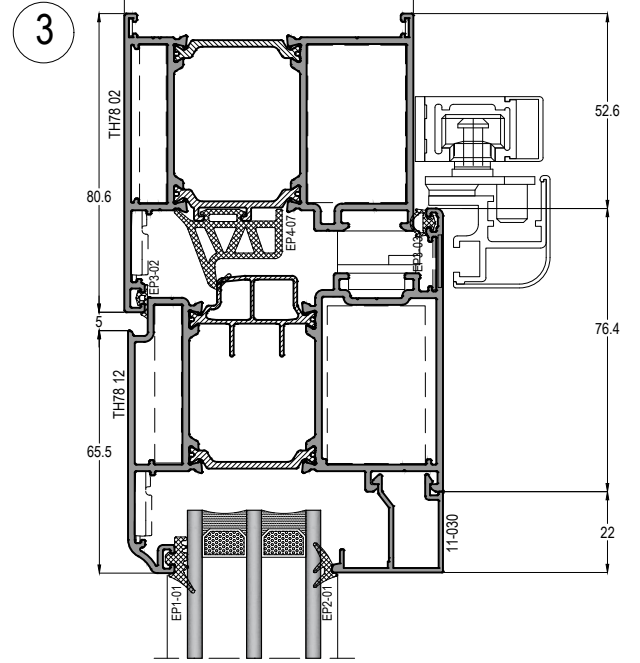
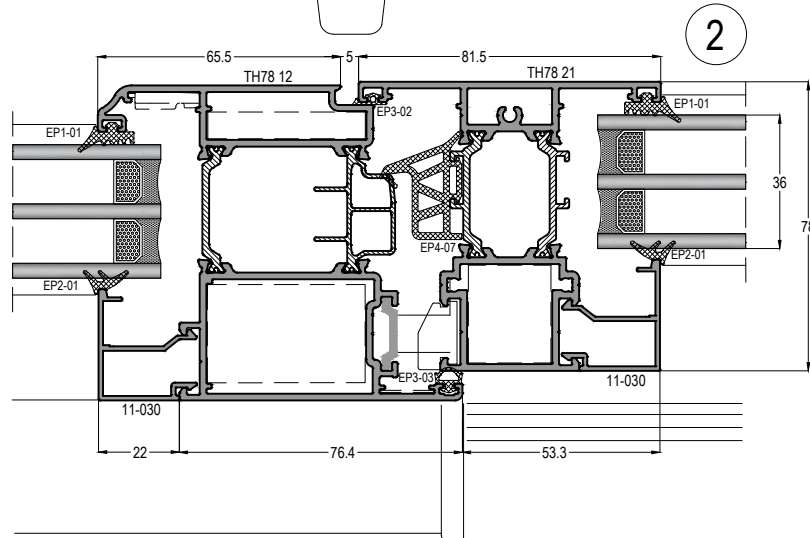
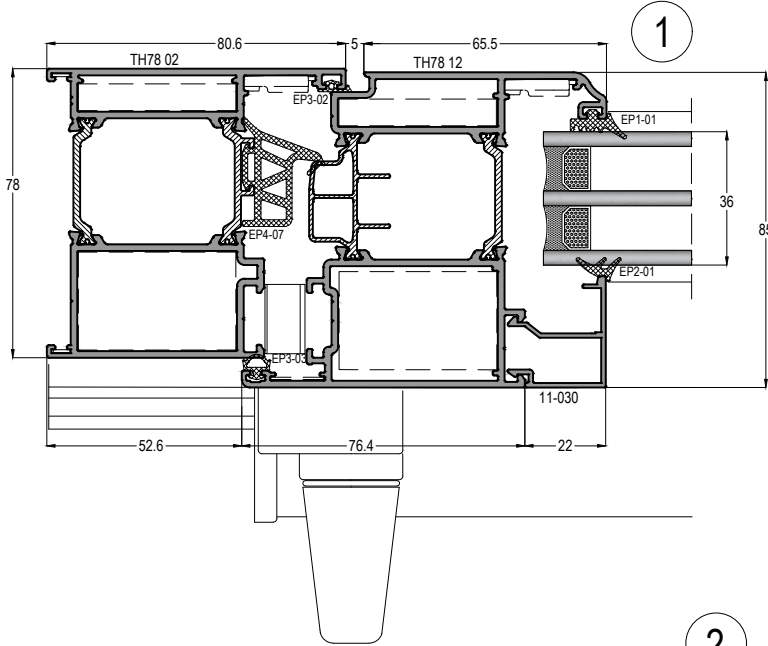
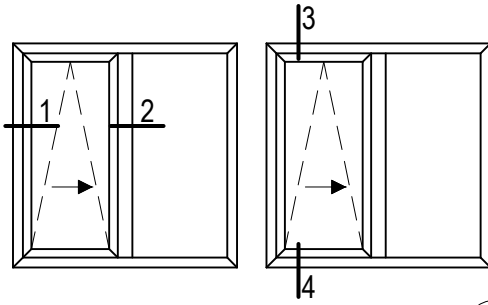


SP15-075





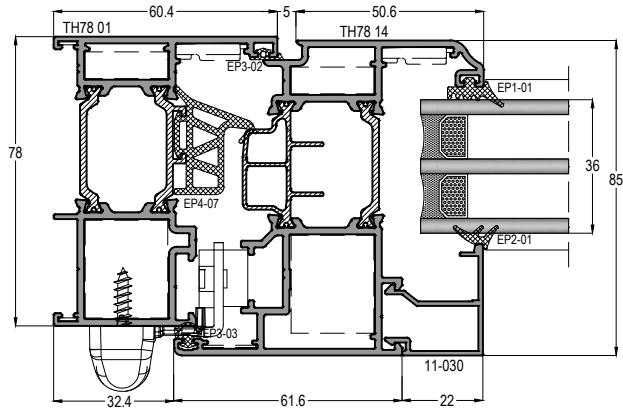
### PARALEL SÜRME DETAYLARI PARALLE SLIDING DETAILS



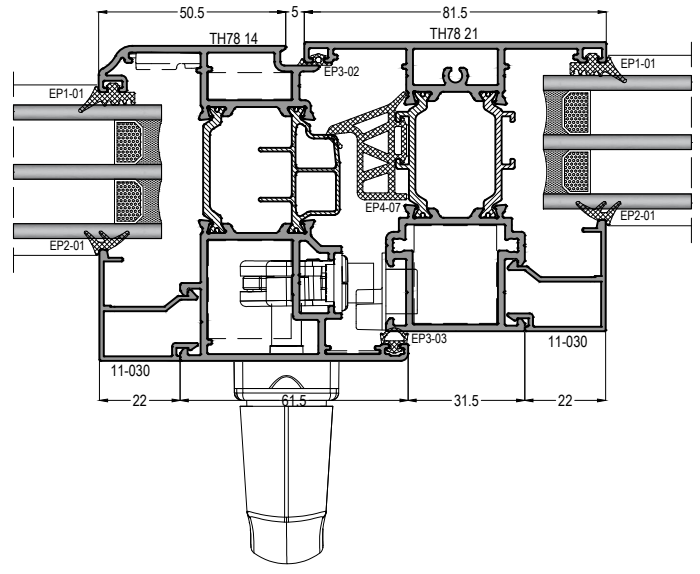
**ÇOK NOKTADAN KİLİTLEME SİSTEM DETAYLARI**  
*MULTI POINT LOCKING SYSTEM DETAILS*

PENCERE AÇILIM DETAYLARI  
WINDOW OPENING DETAILS

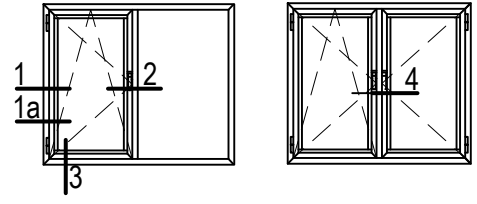
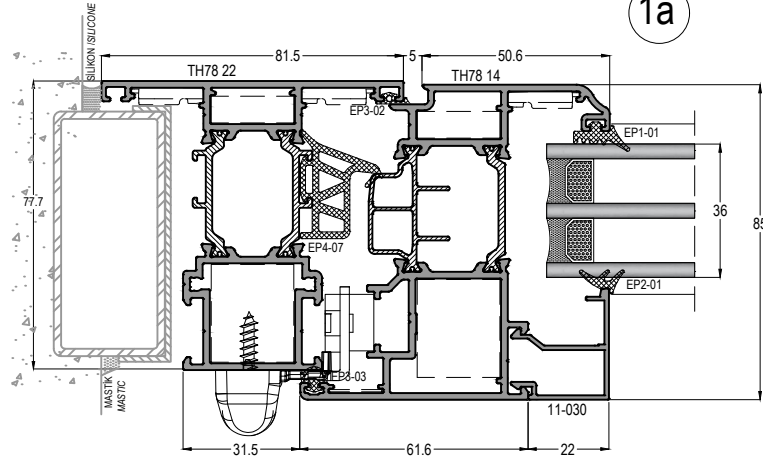
1



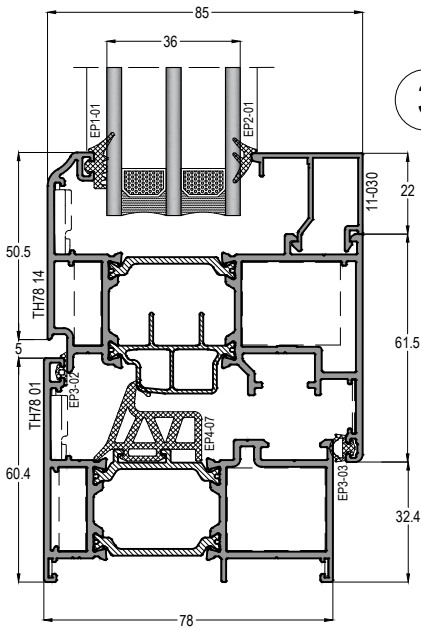
2



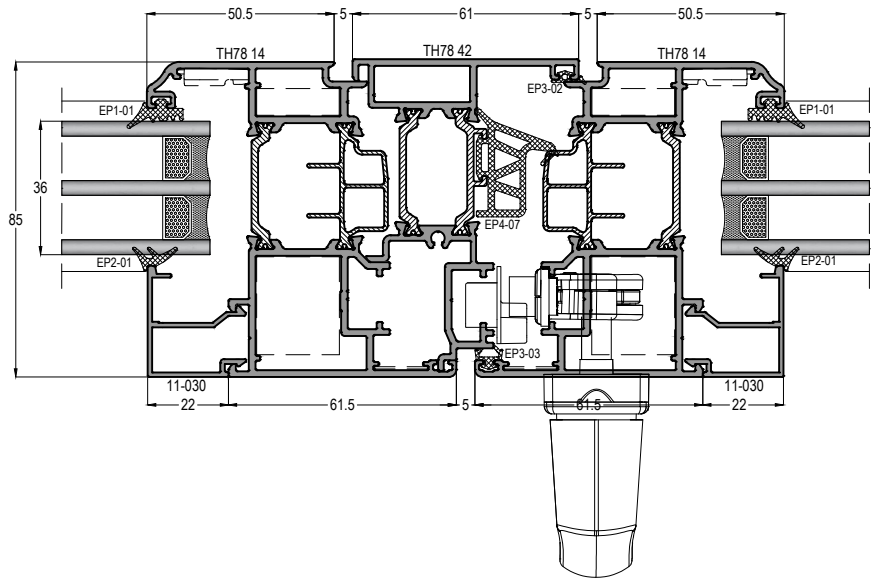
1a



3

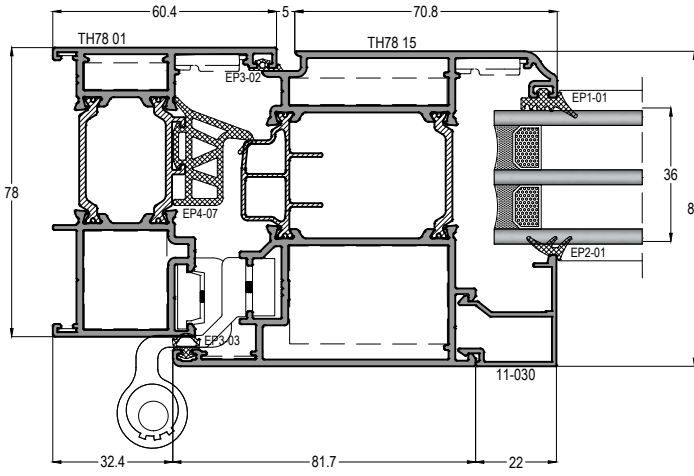


4

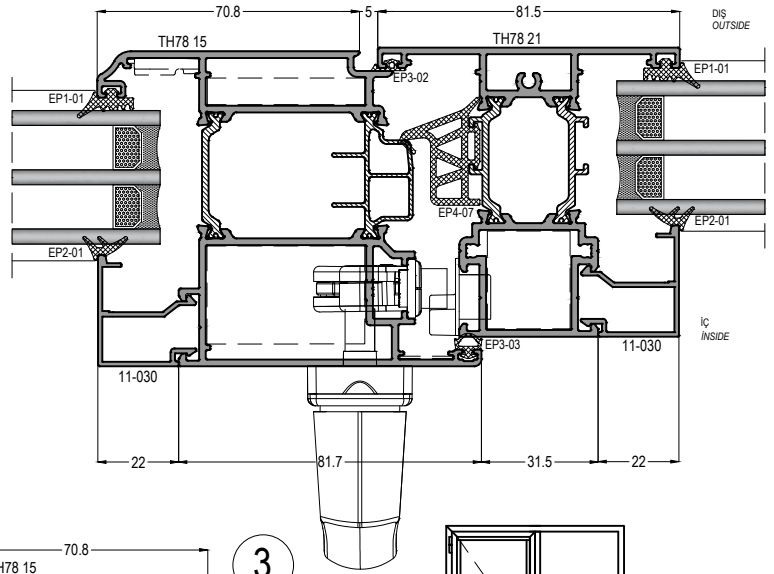


## İÇE AÇILIR KAPI DETAYLARI INNER OPENING DOOR DETAILS

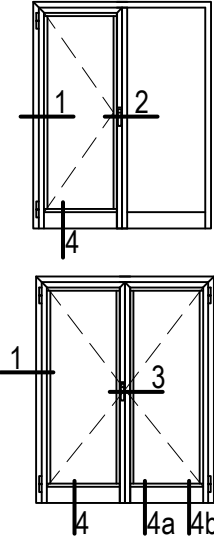
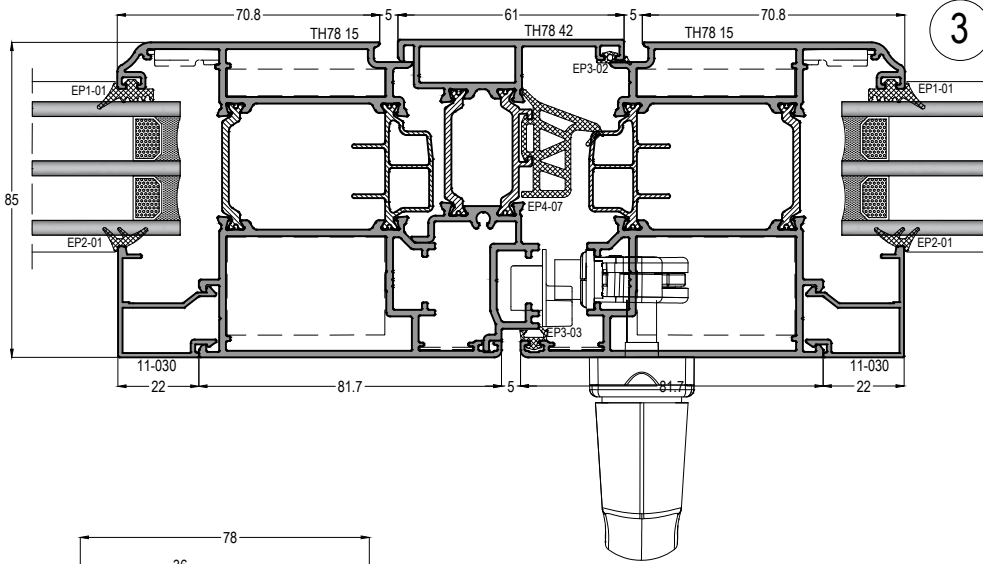
1



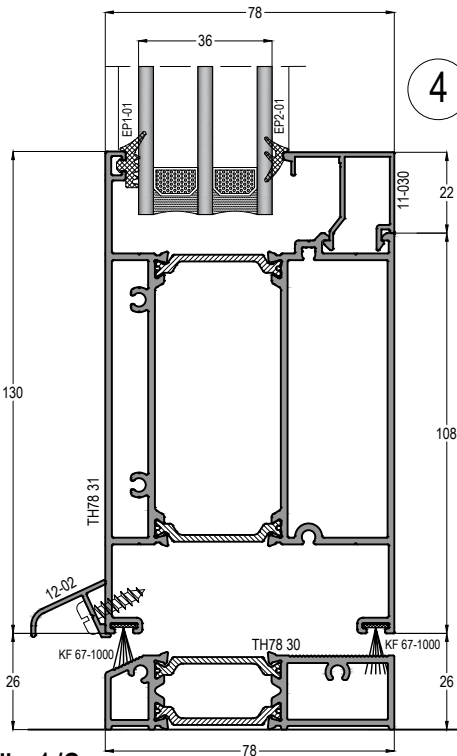
2



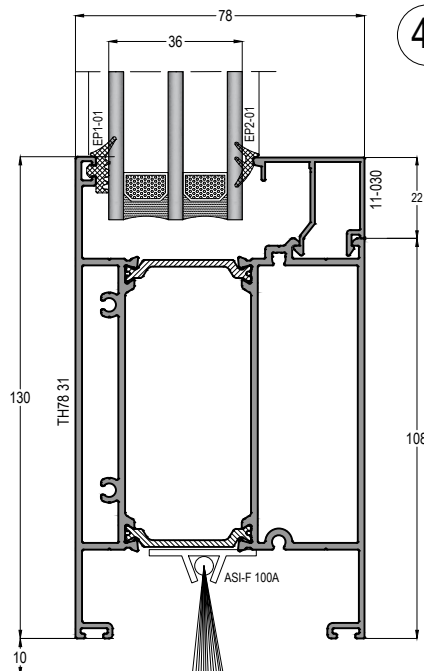
3



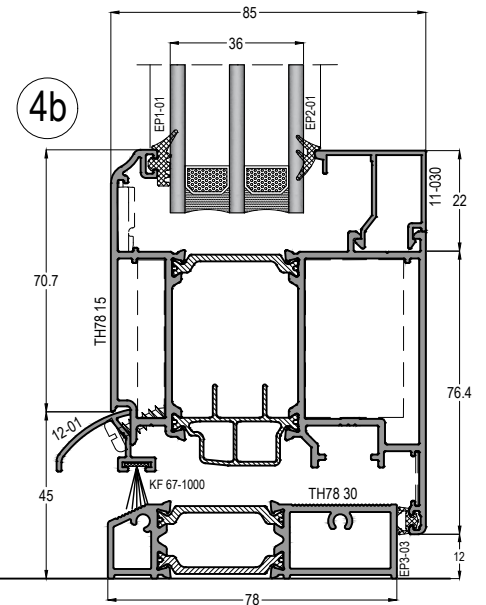
4



4a

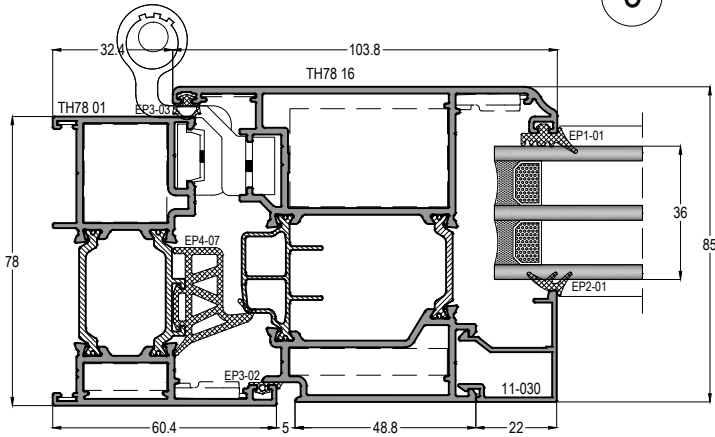


4b

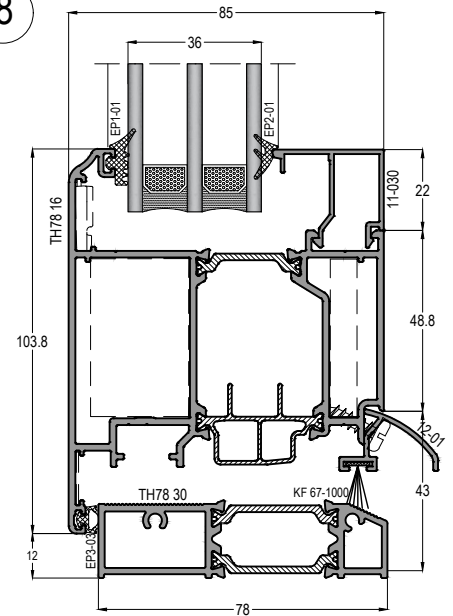


DIŞA AÇILIR KAPI DETAYLARI  
OUTER OPENING DOOR DETAILS

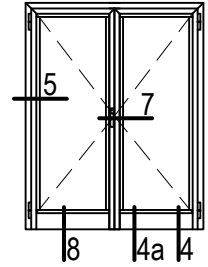
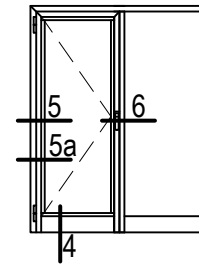
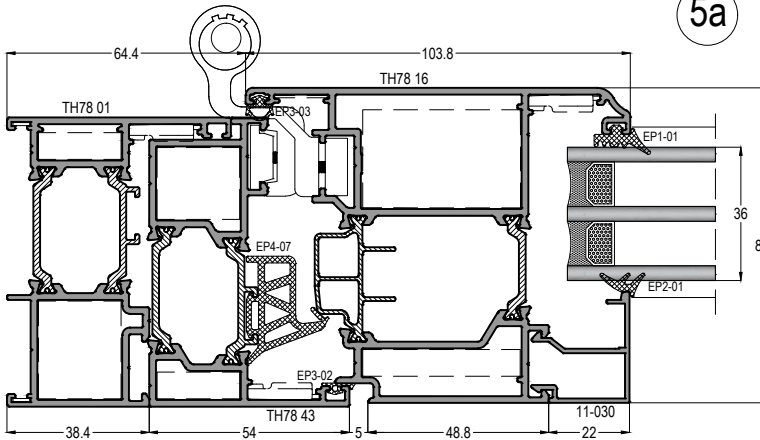
5



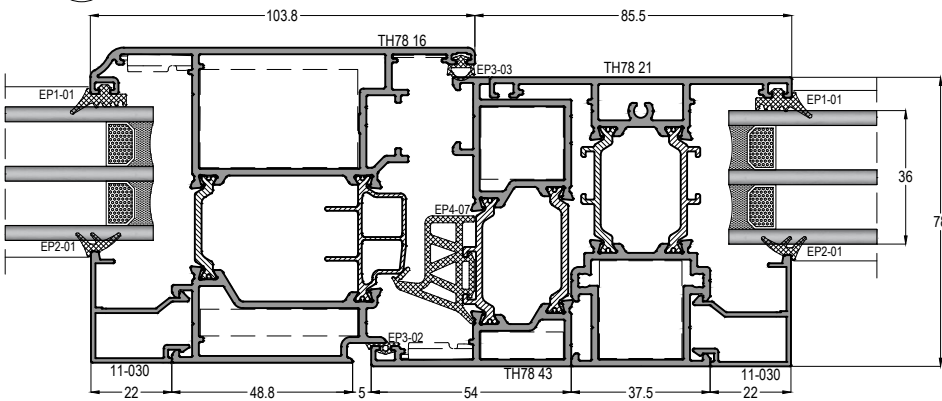
8



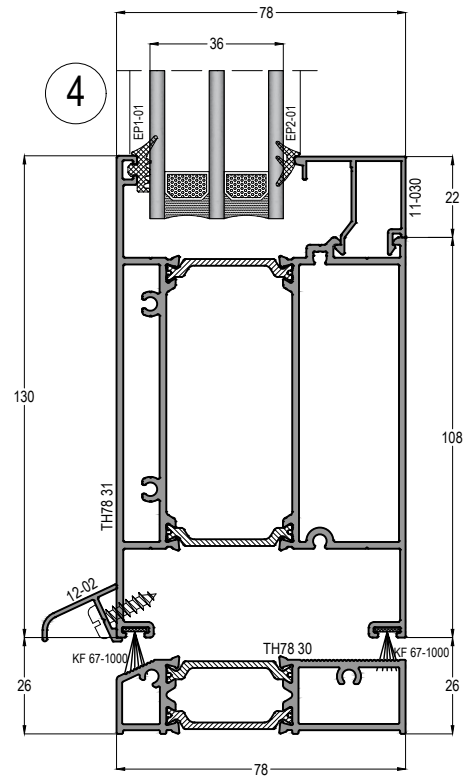
5a



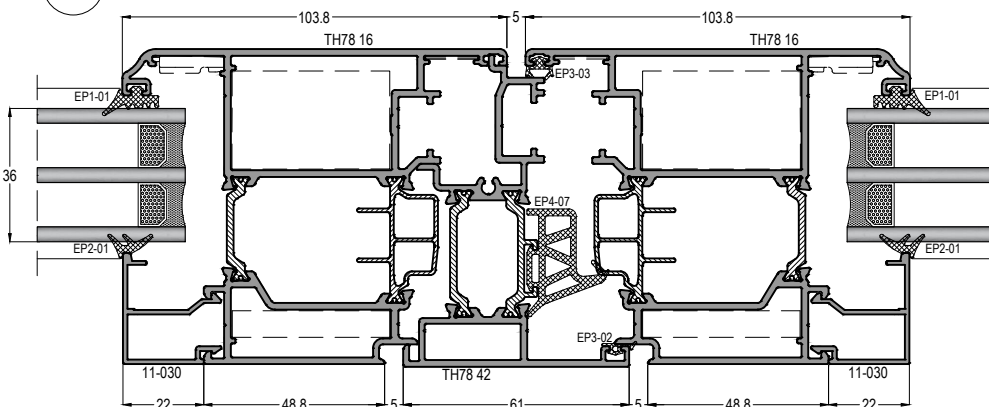
6



4



7



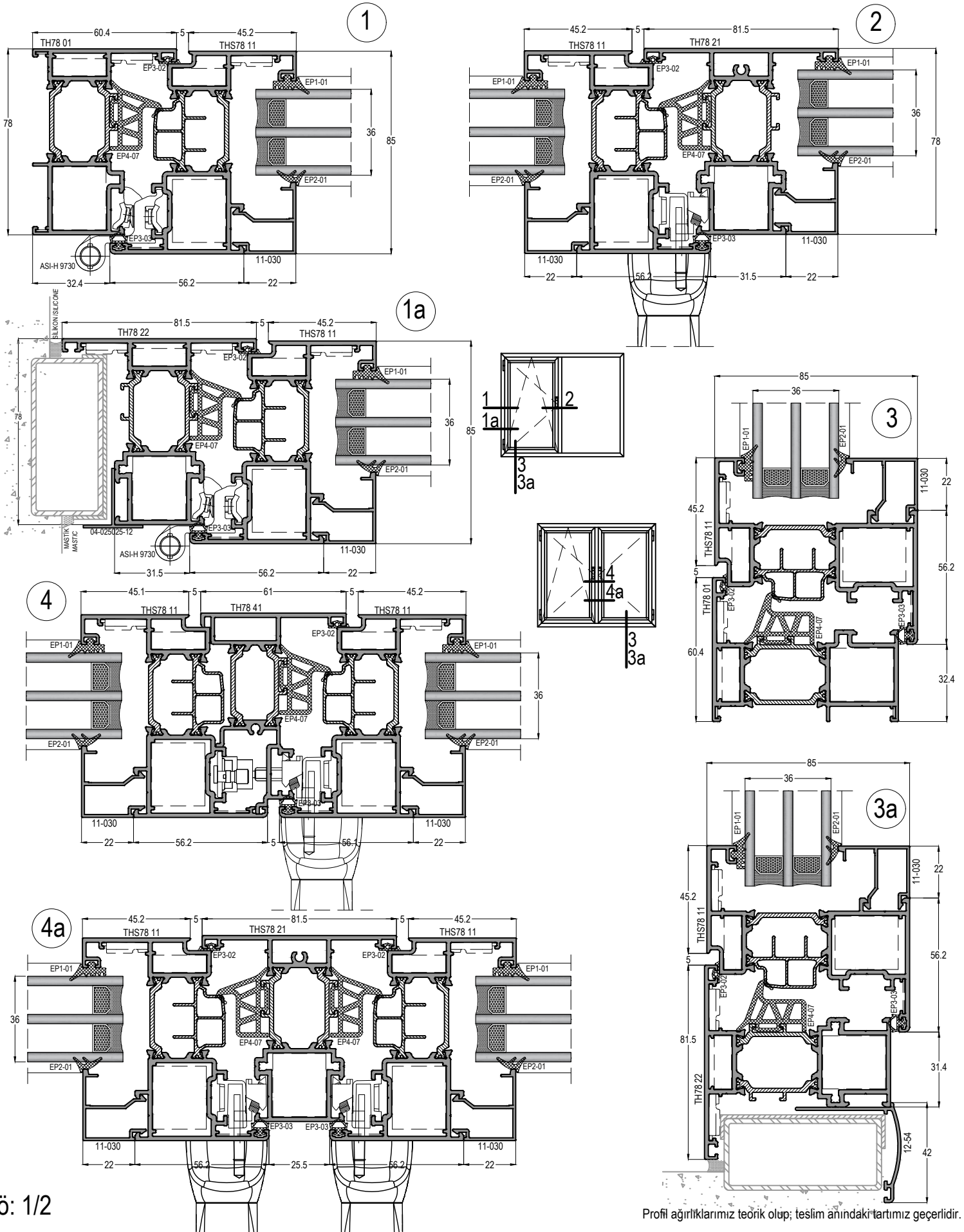
**THS SİSTEM DETAYLARI**  
*THS SYSTEM DETAILS*

# TH78 - THS78

YALITIMLI KAPI-PENCERE SİSTEMİ  
THERMAL WINDOW&DOOR SYSTEM

## ASISTAL

### PENCERE AÇILIM DETAYLARI WINDOW OPENING DETAILS



ö: 1/2

Profil ağırlıklarımız teorik olup; teslim anındaki tartımız geçerlidir.

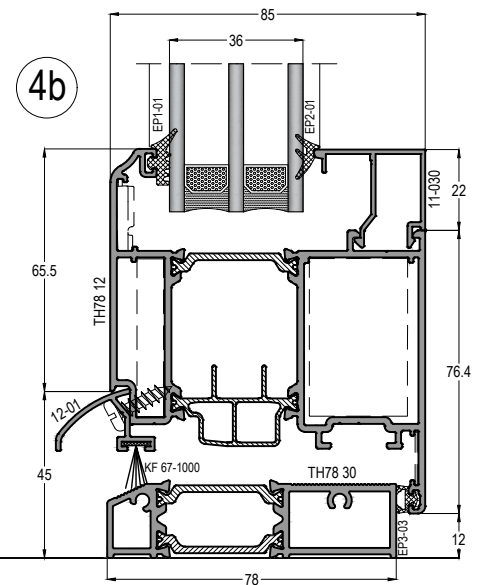
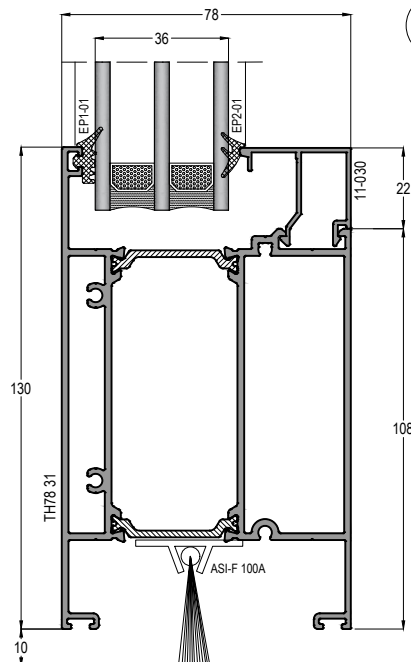
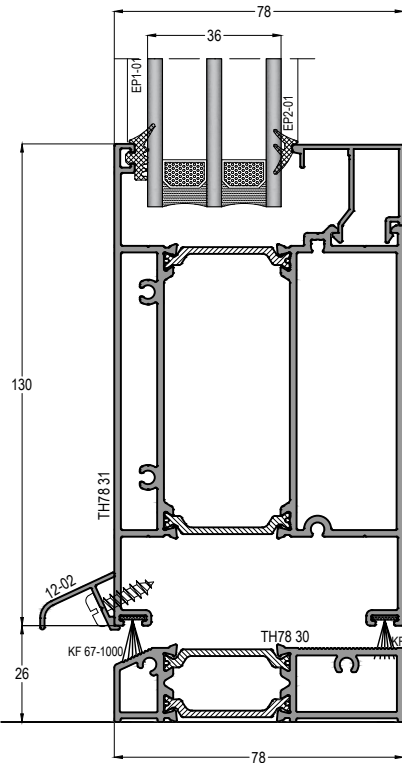
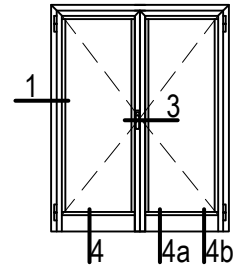
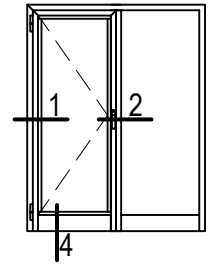
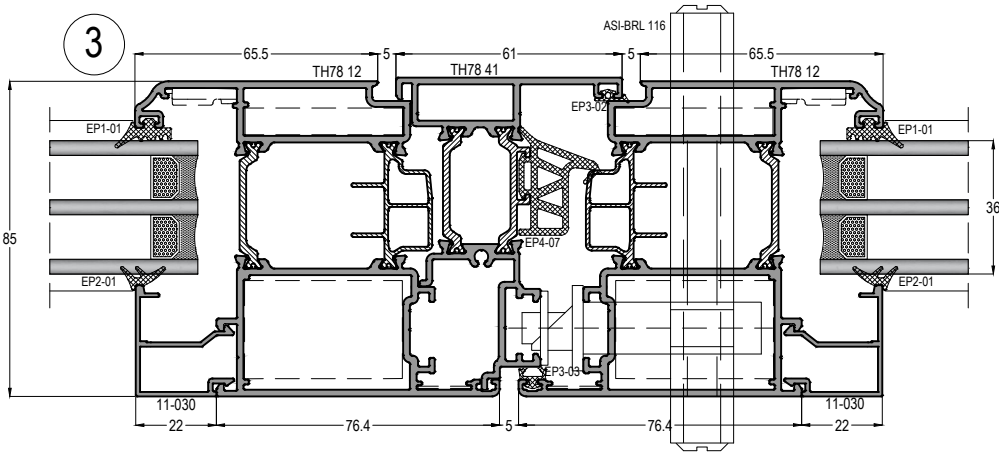
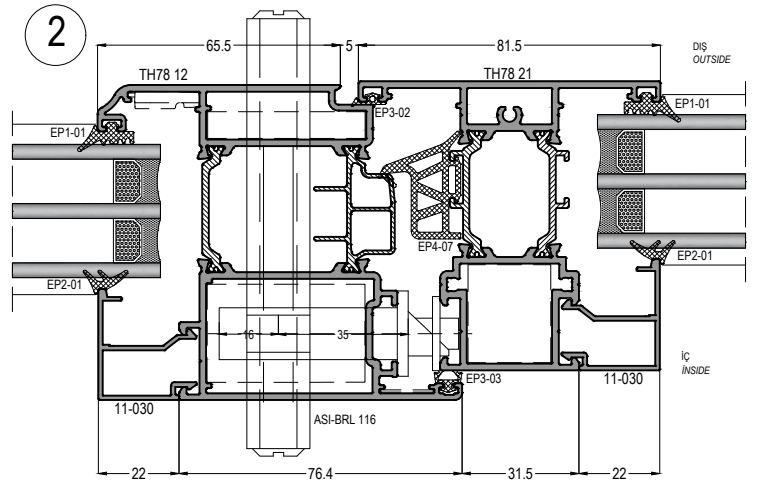
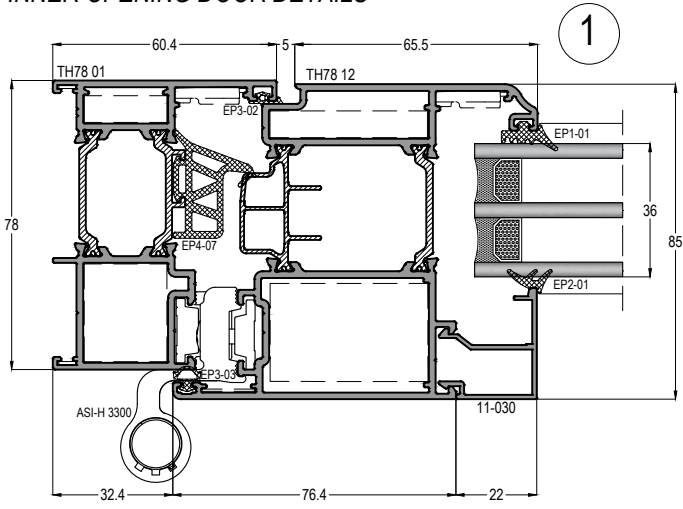


# TH78 - THS78

YALITIMLI KAPI-PENCERE SİSTEMİ  
THERMAL WINDOW&DOOR SYSTEM

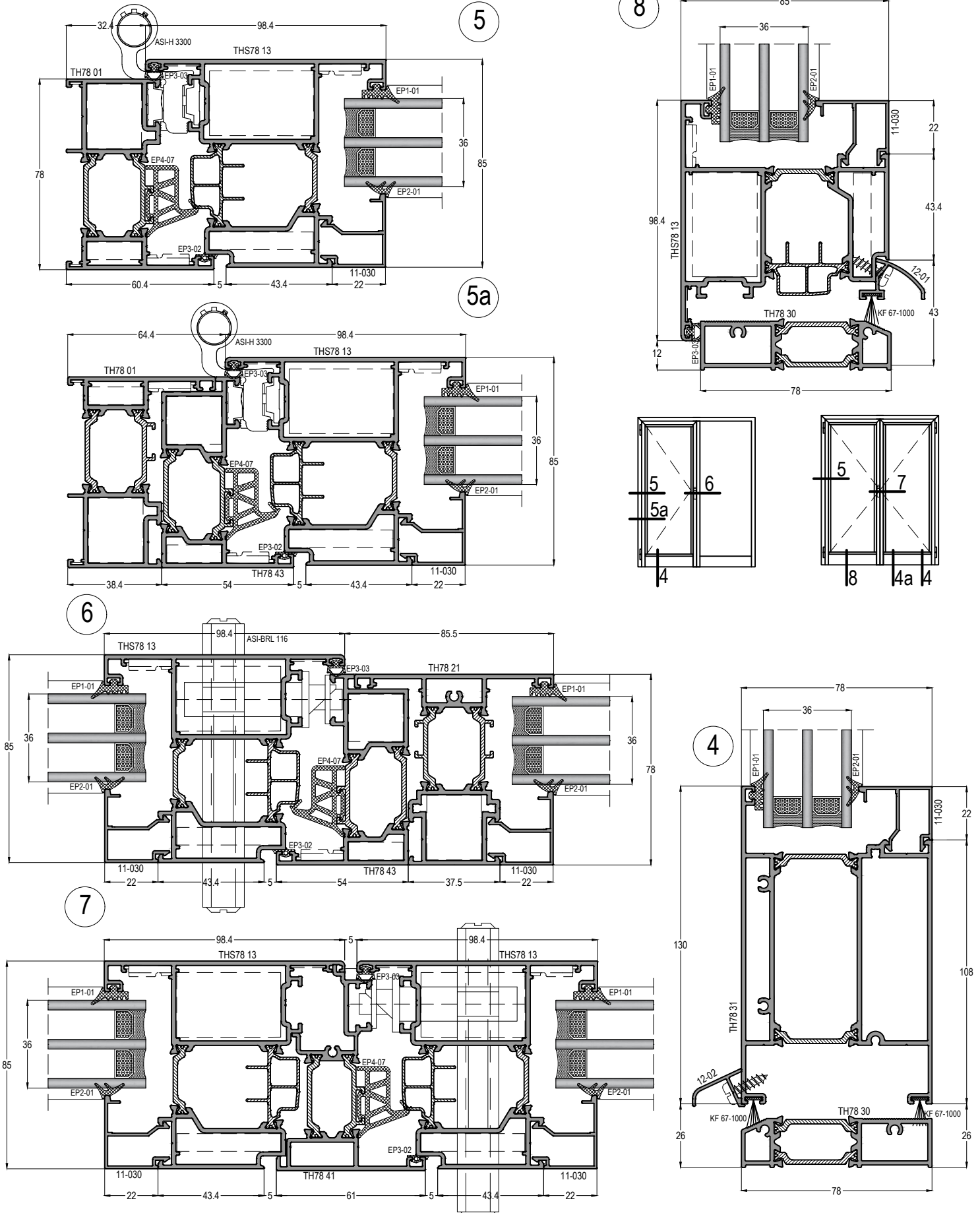
## ASISTAL

### İÇE AÇILIR KAPI DETAYLARI INNER OPENING DOOR DETAILS



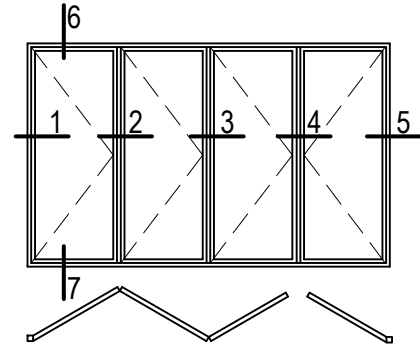
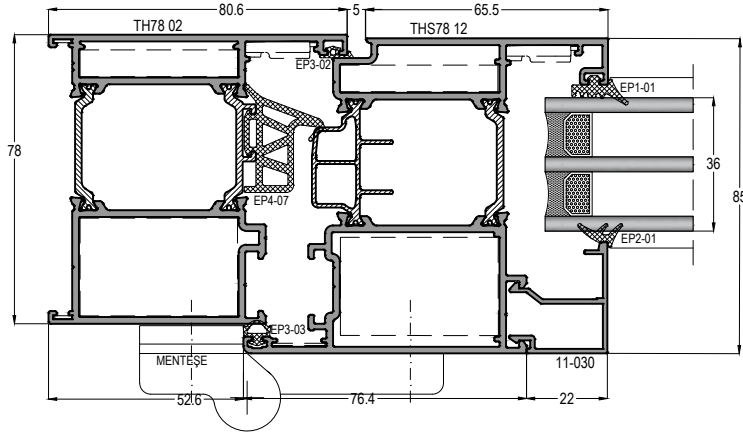


### DIŞA AÇILIR KAPI DETAYLARI OUTER OPENING DOOR DETAILS

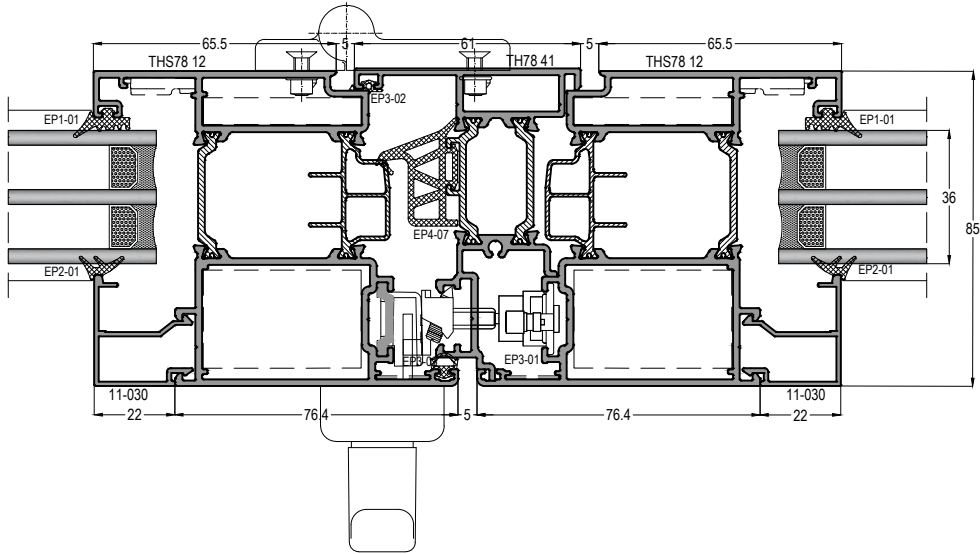


### KATLANIR KAPI DETAYLARI FOLDING DOOR DETAILS

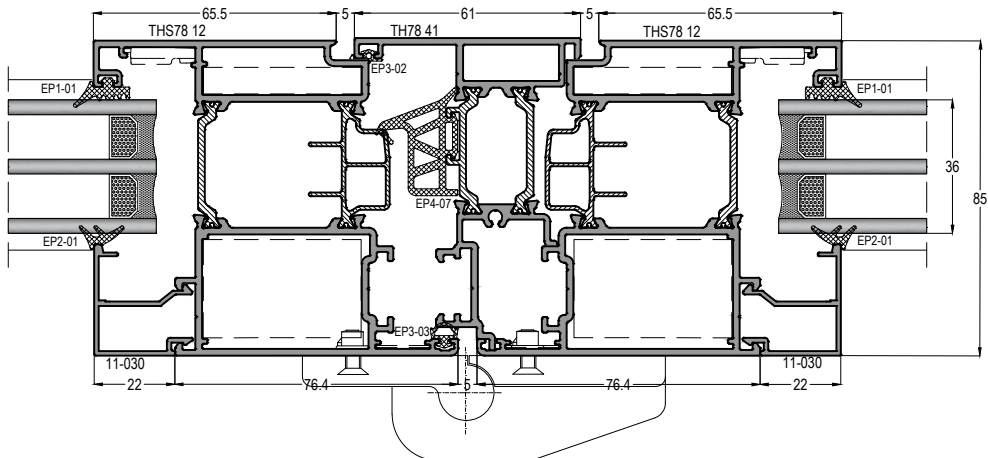
1



2

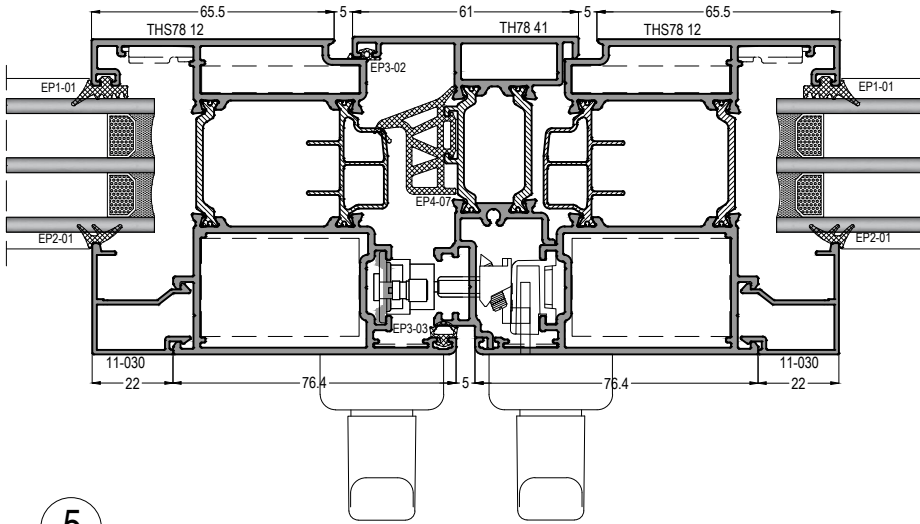


3

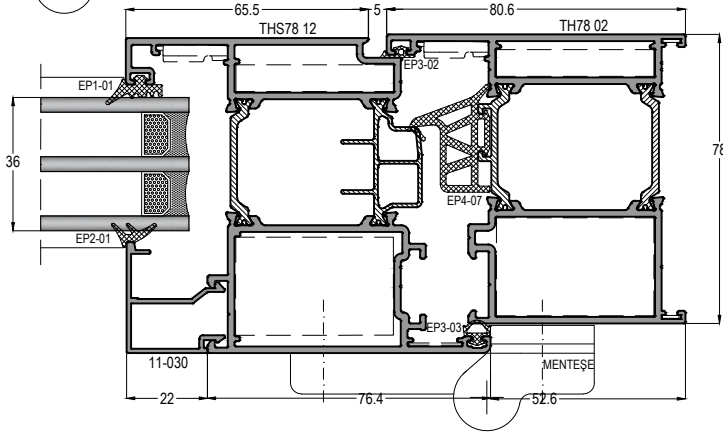


### KATLANIR KAPI DETAYLARI FOLDING DOOR DETAILS

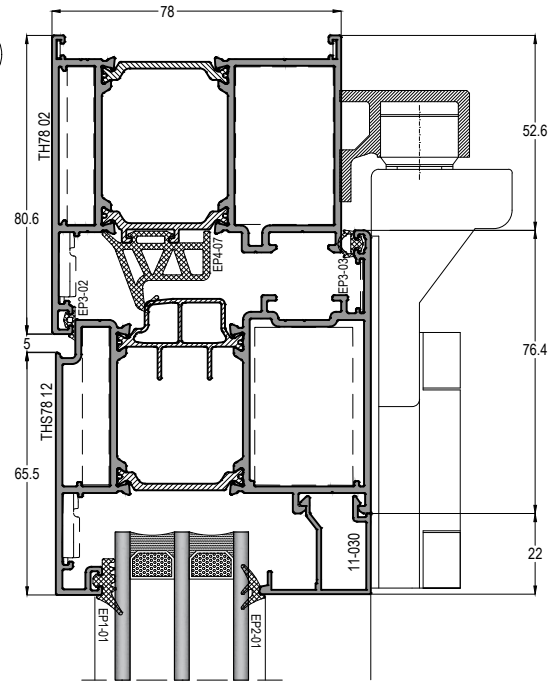
4



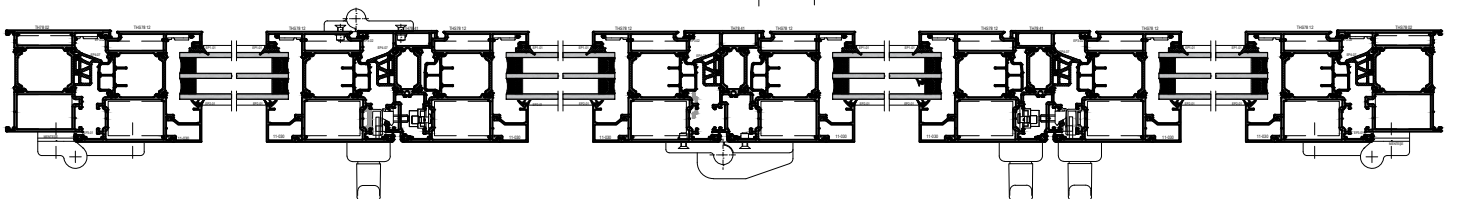
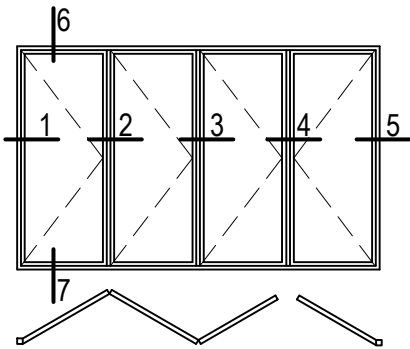
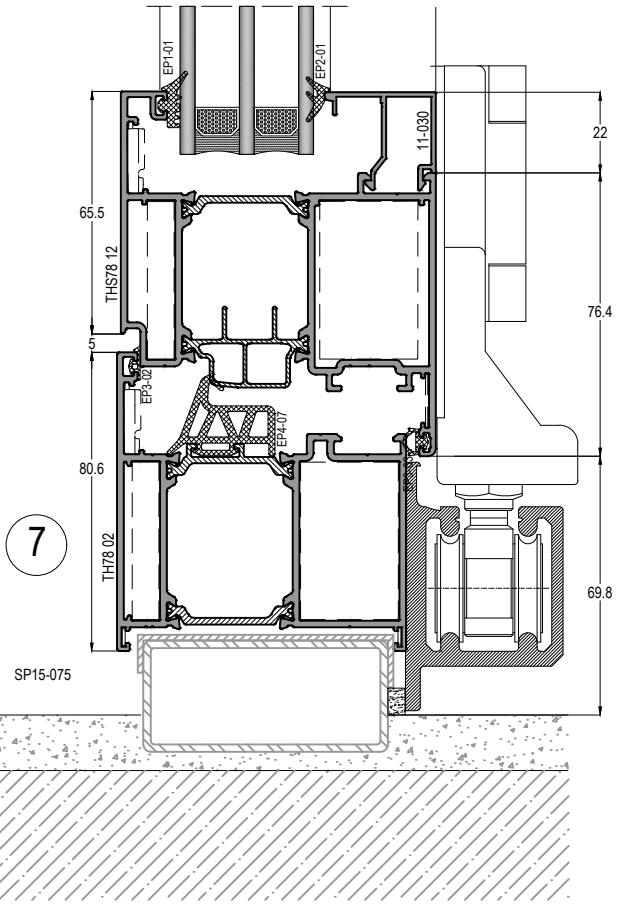
5



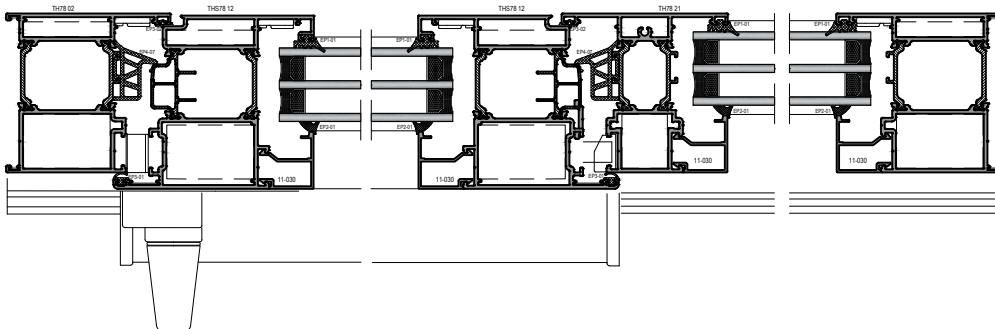
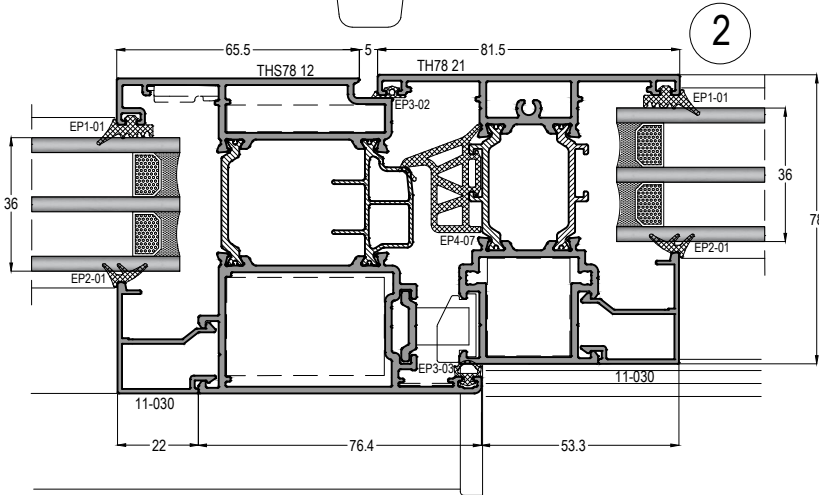
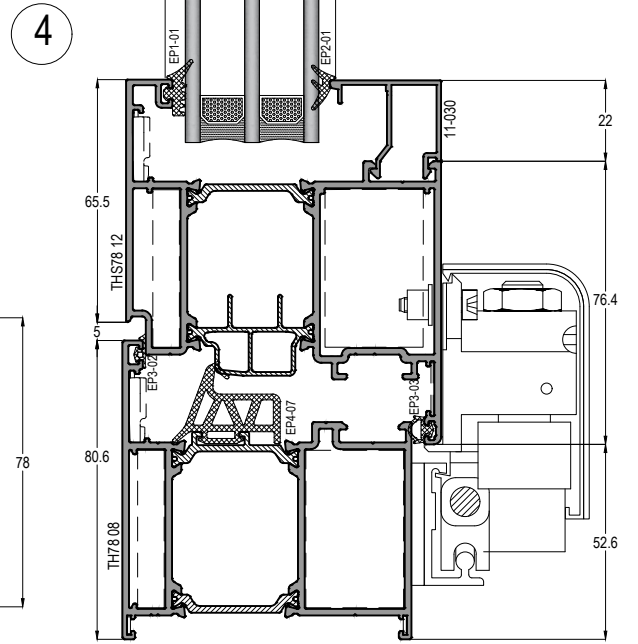
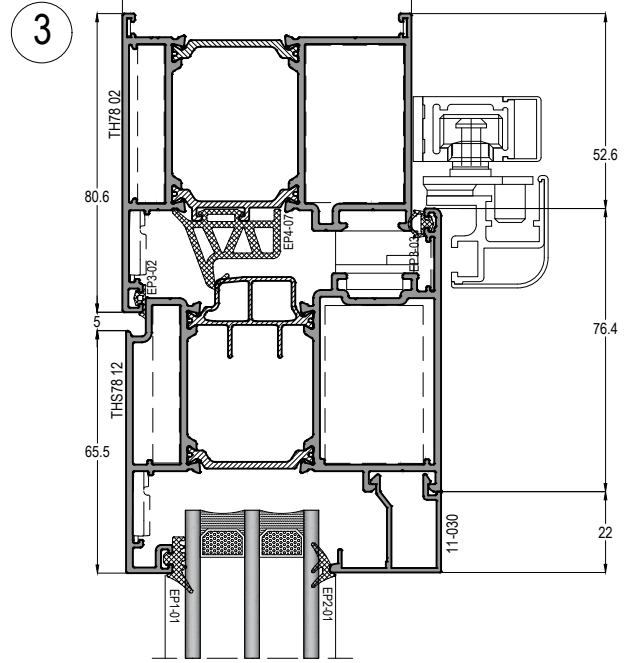
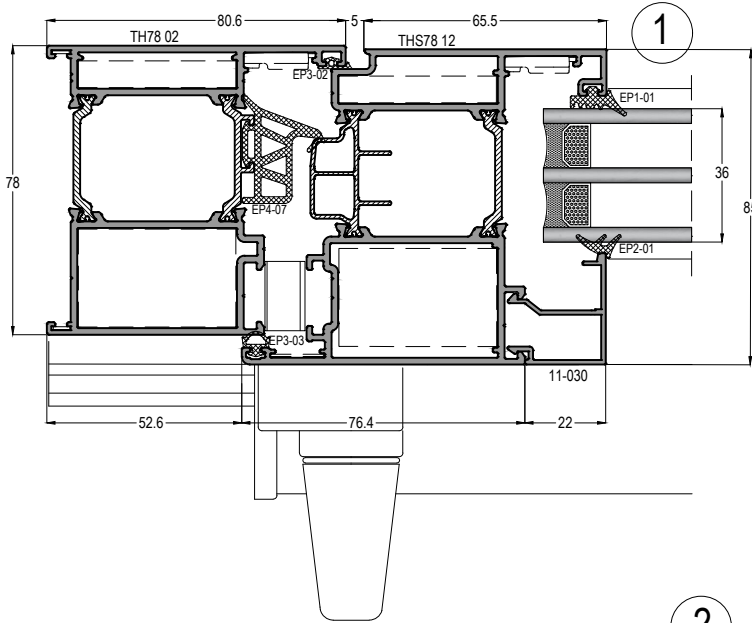
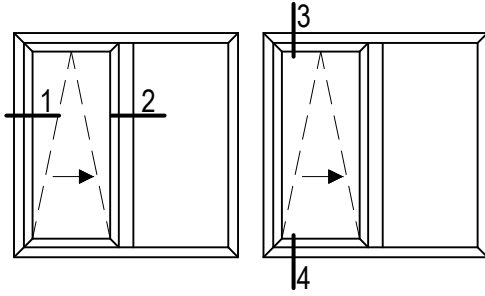
6



7



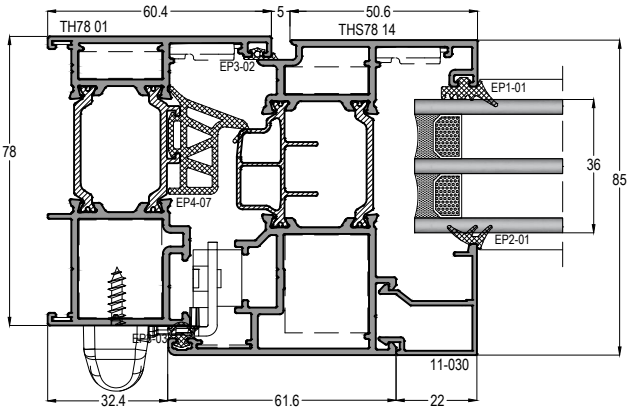
### PARALEL SÜRME DETAYLARI PARALLE SLIDING DETAILS



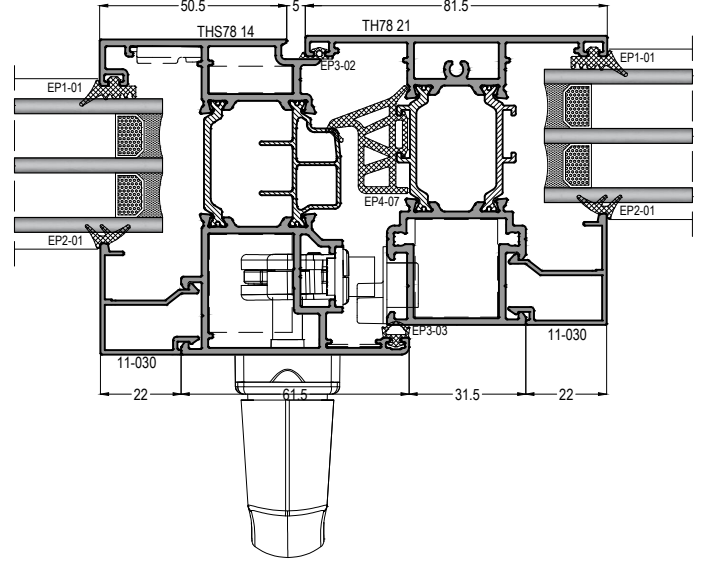
**ÇOK NOKTADAN KİLİTLEME THS SİSTEM DETAYLARI**  
***MULTI POINT LOCKING THS SYSTEM DETAILS***

### PENCERE AÇILIM DETAYLARI WINDOW OPENING DETAILS

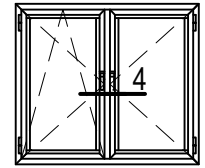
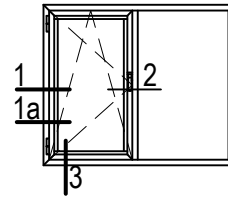
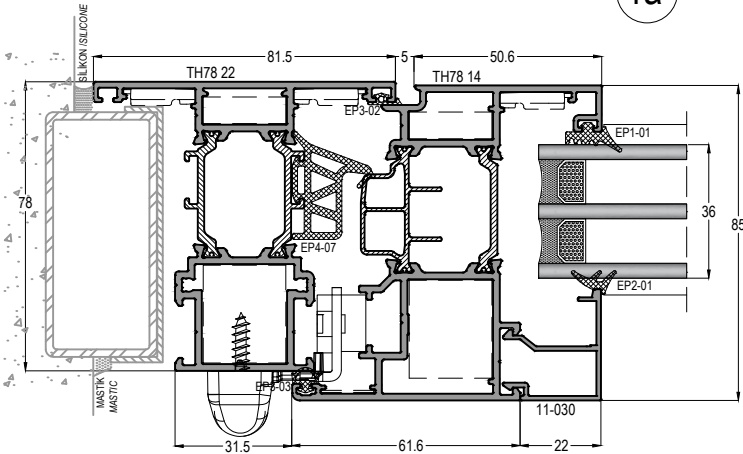
1



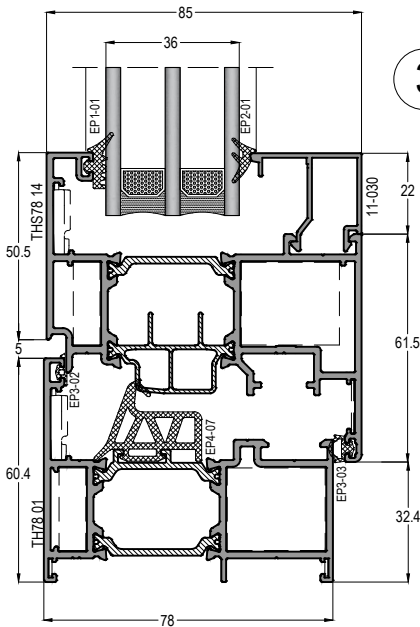
2



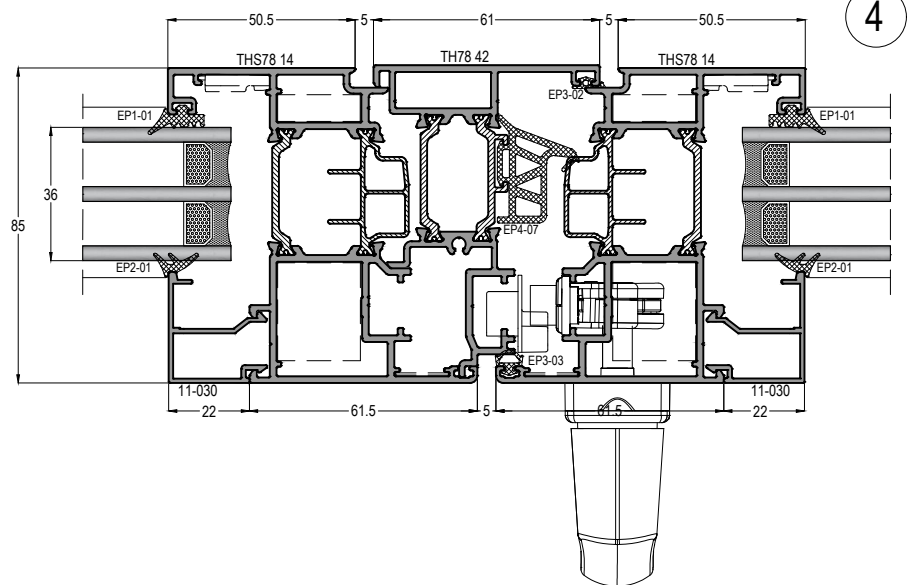
1a



3



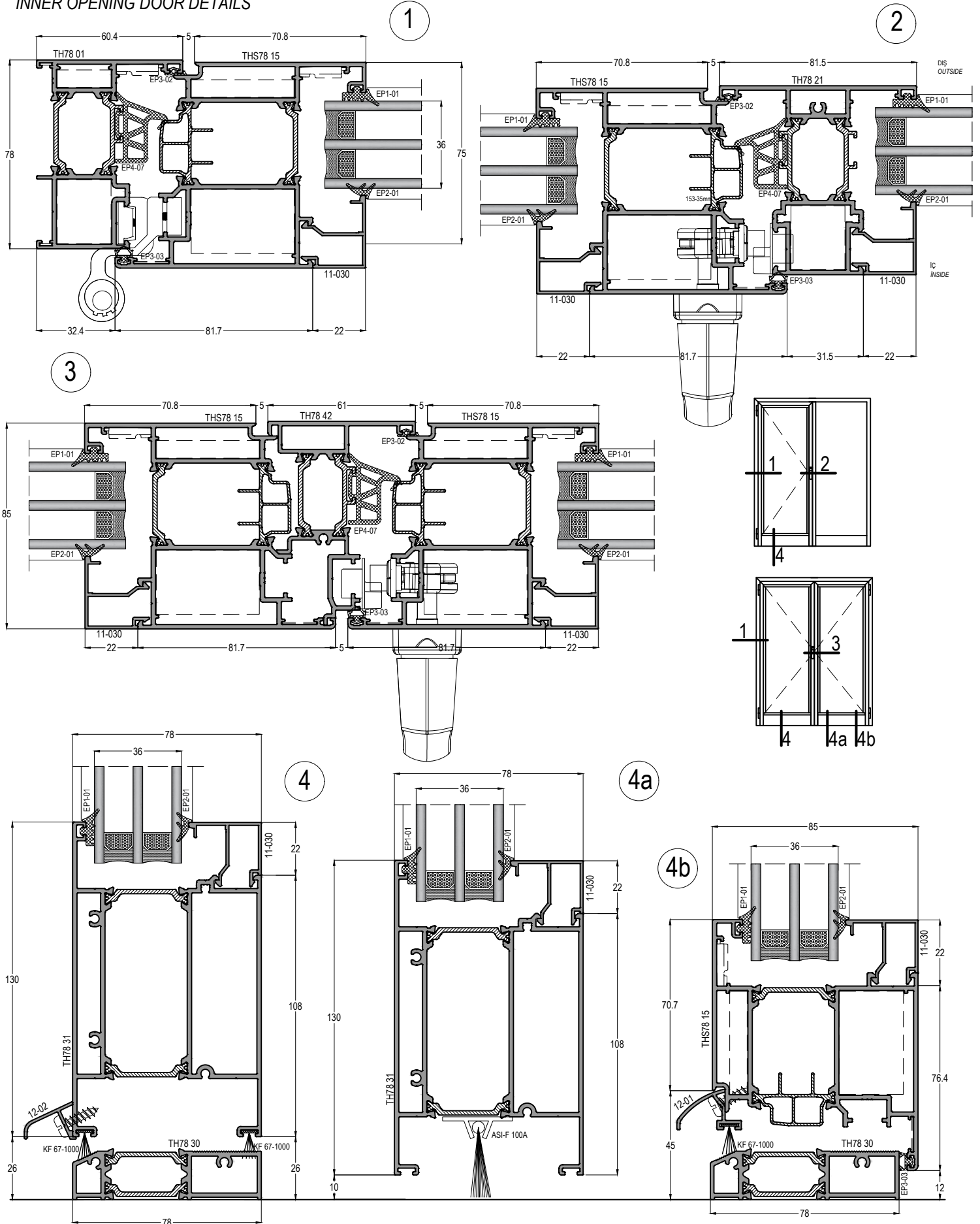
4



# TH78 - THS78

YALITIMLI KAPI-PENCERE SİSTEMİ  
THERMAL WINDOW&DOOR SYSTEM

## İÇE AÇILIR KAPI DETAYLARI INNER OPENING DOOR DETAILS



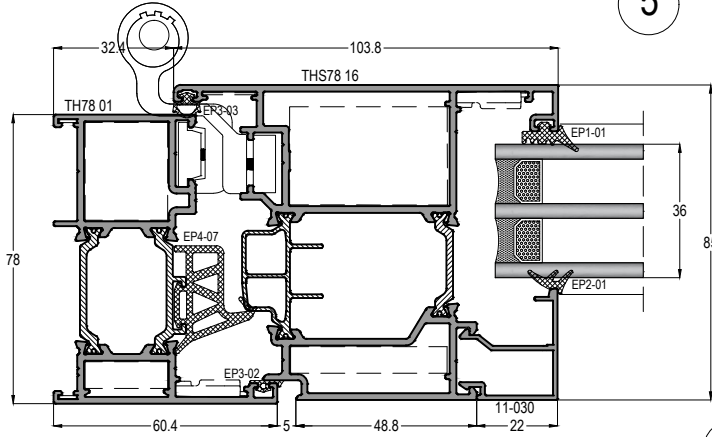
ö: 1/2

Profil ağırlıklarımız teorik olup; teslim anındaki tartımız geçerlidir.

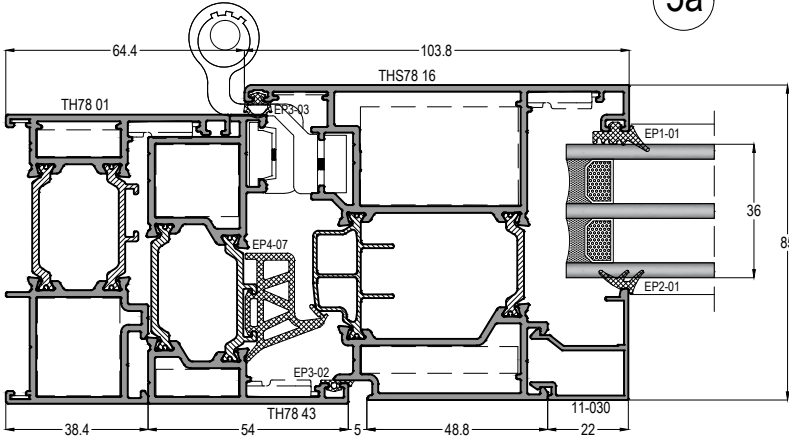


### DİŞA AÇILIR KAPI DETAYLARI OUTER OPENING DOOR DETAILS

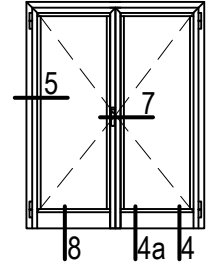
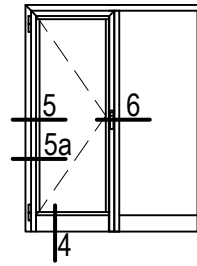
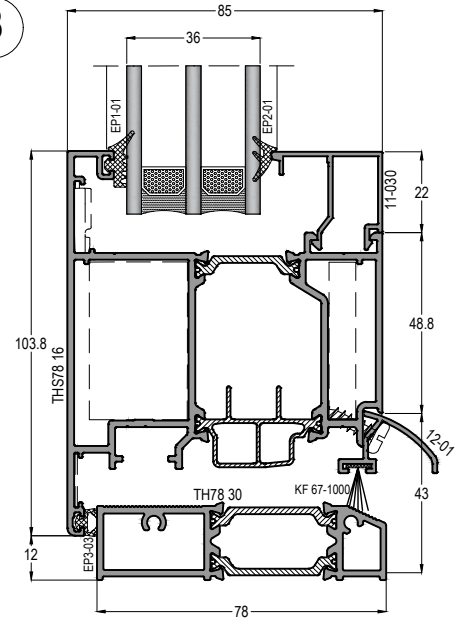
5



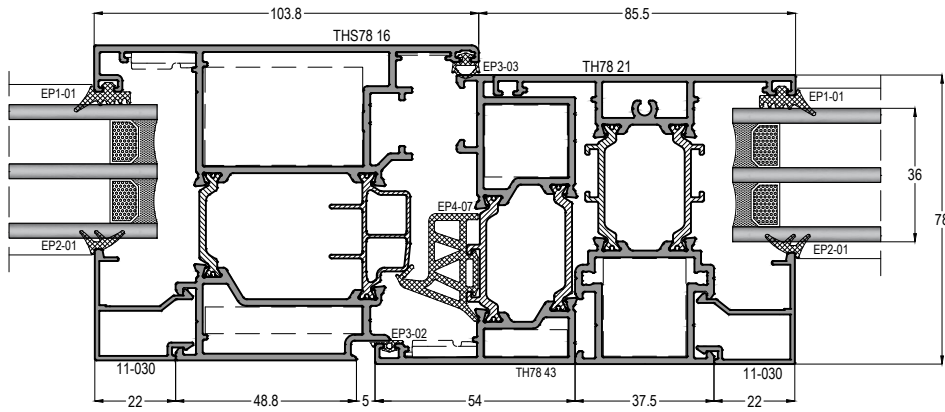
5a



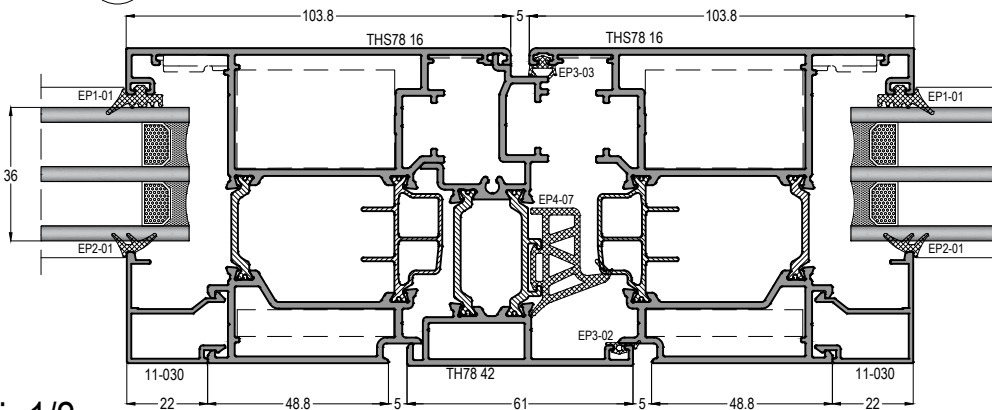
8



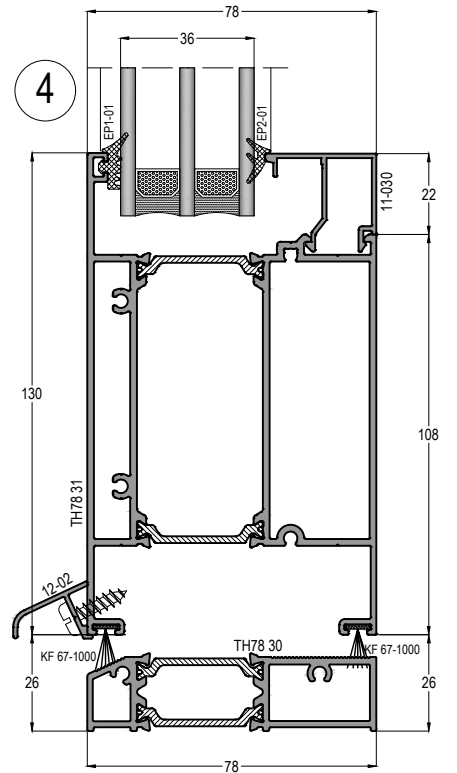
6



7



4

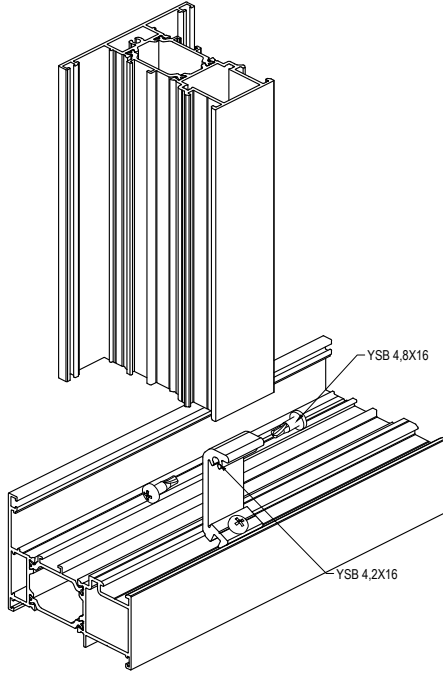




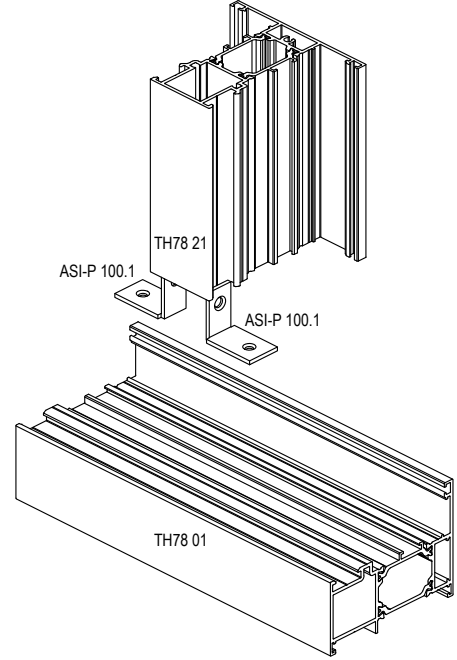
**KESİM ve MONTAJ**  
*CUTTING & ASSEMBLY*

DİK (ORTA KAYIT) BAĞLANTI DETAYLARI  
T JOINT DETAILS

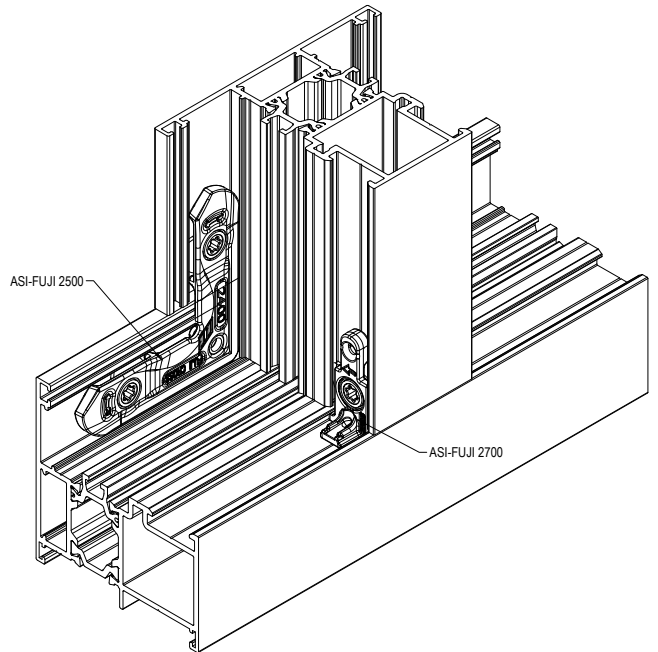
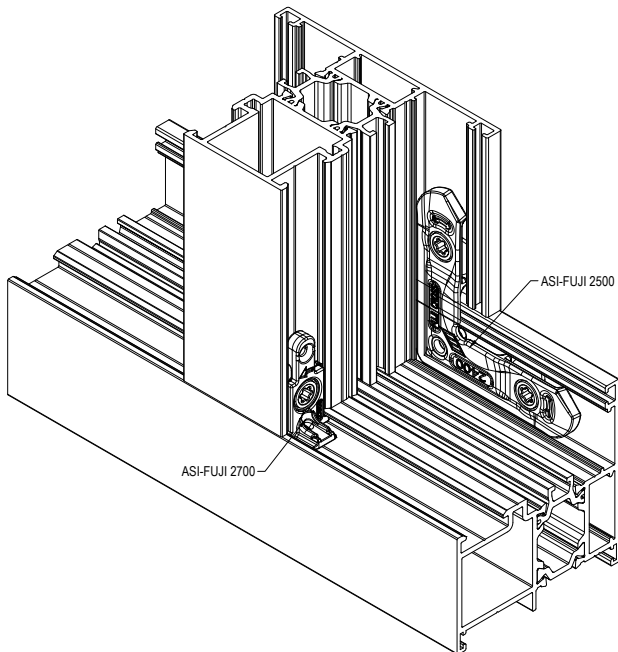
## ÖNERİ : 1



## ÖNERİ : 2



## ÖNERİ : 3

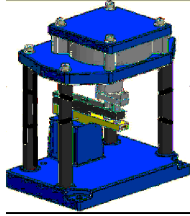


# TH78

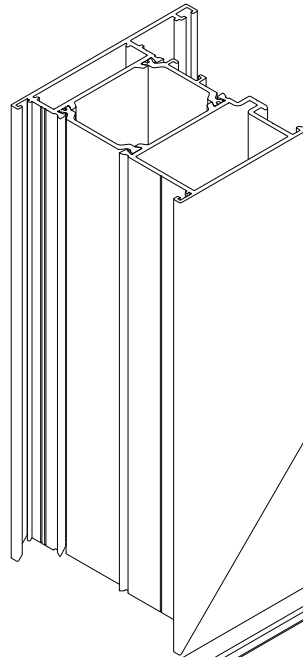
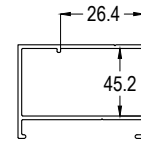
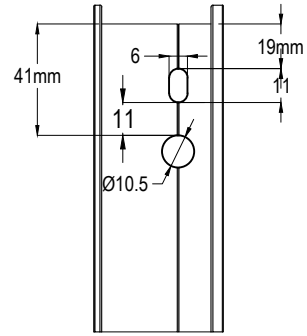
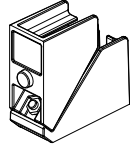
YALITIMLI KAPI-PENCERE SİSTEMİ  
THERMAL WINDOW&DOOR SYSTEM



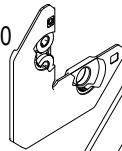
501 EKO PANÇ



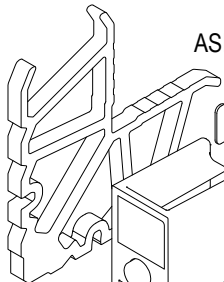
Monticelli  
ASI-PB 2650



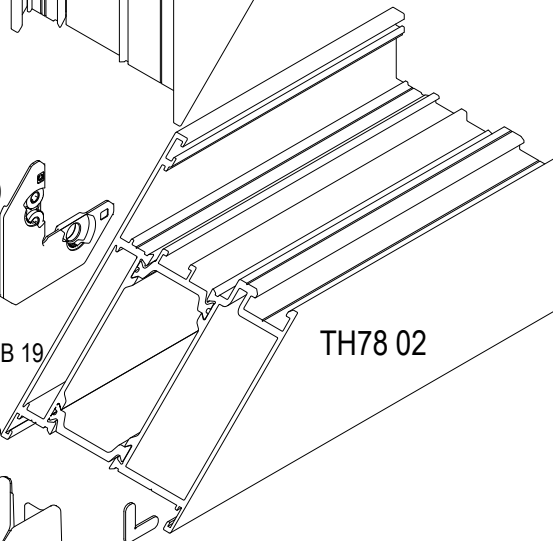
ASI-FUJI 2000



ASI-SB 19



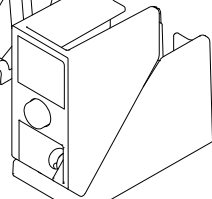
TH78 02



ASI-SB 19

ASI-KT 4308

ASI-PB 2650

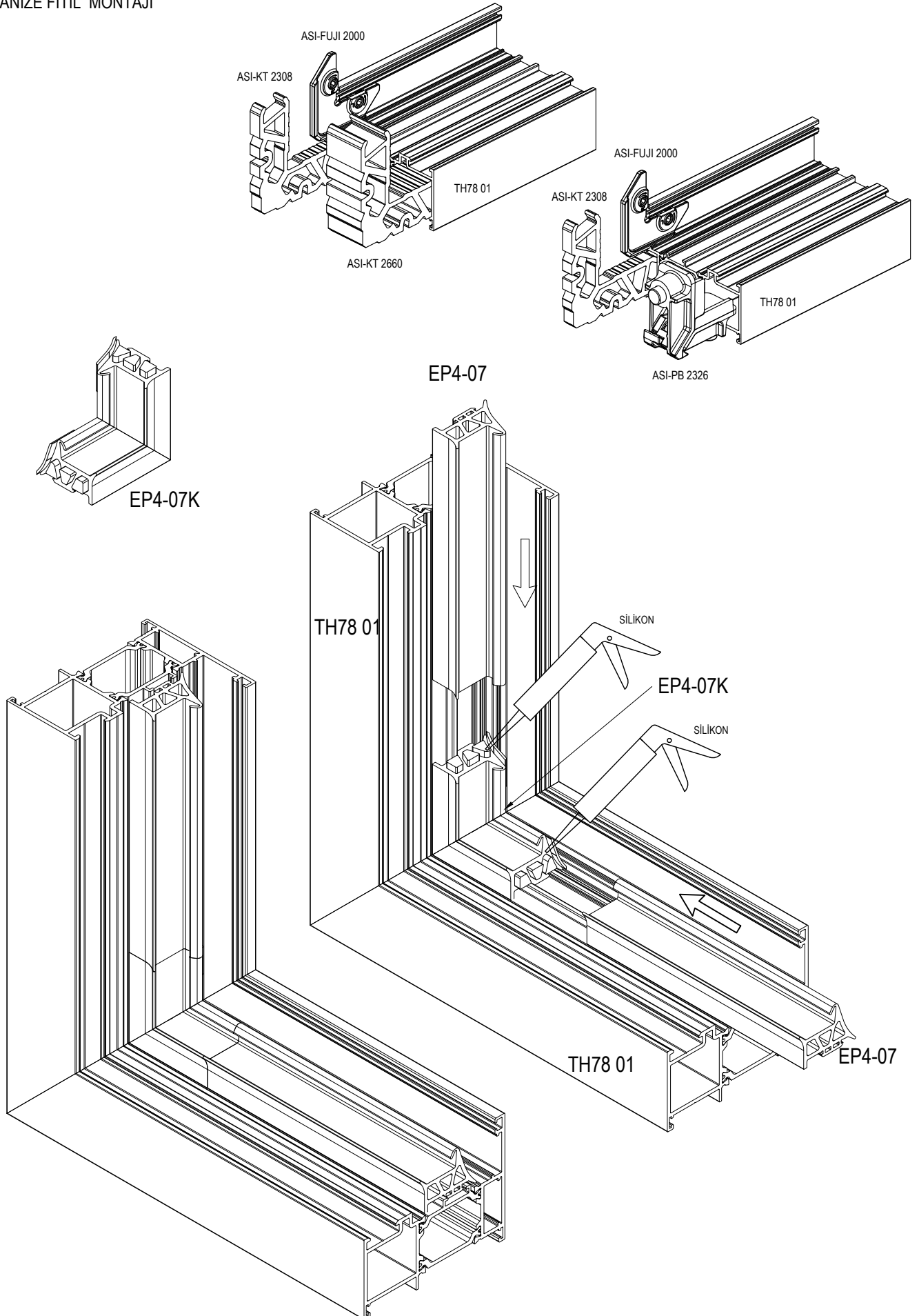


# TH78

YALITIMLI KAPI-PENCERE SİSTEMİ  
THERMAL WINDOW&DOOR SYSTEM

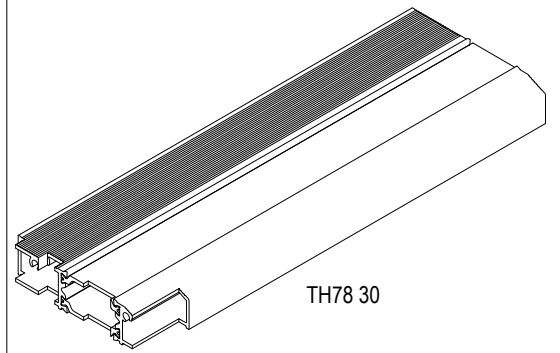
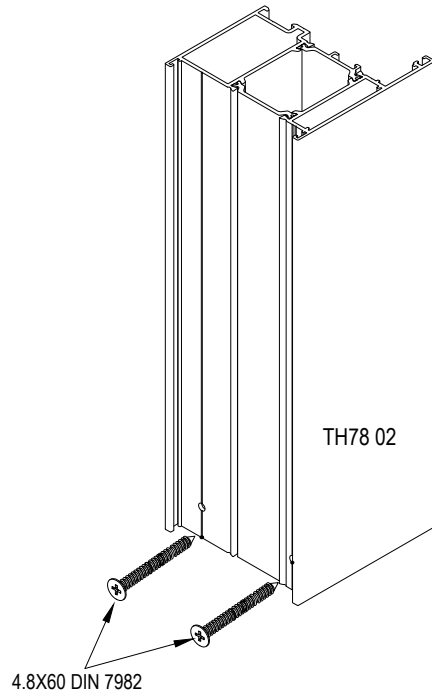
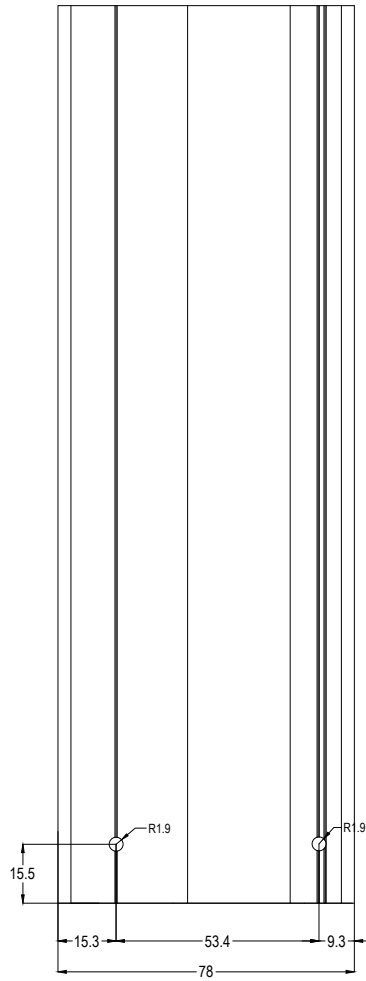
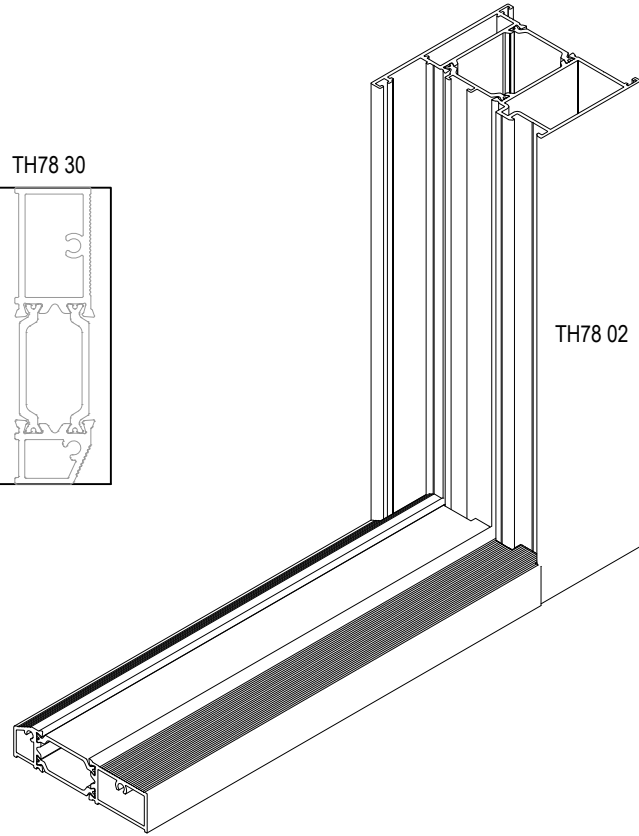
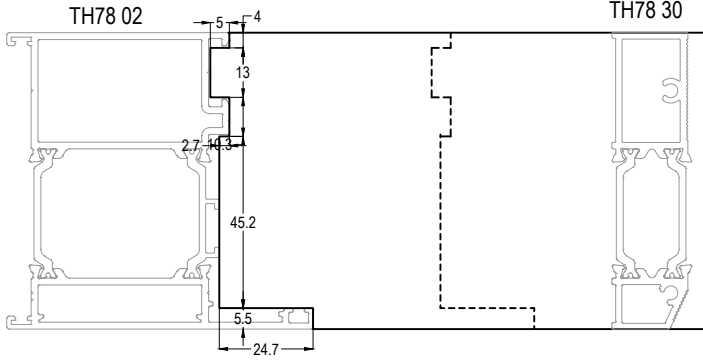
## ASISTAL

KÖŞE VULKANİZE FİTİL MONTAJI



# TH 78

YALITIMLI KAPI-PENCERE SİSTEMİ  
THERMAL WINDOW&DOOR SYSTEM

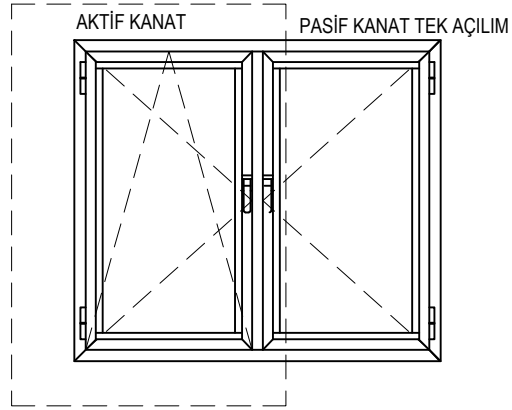
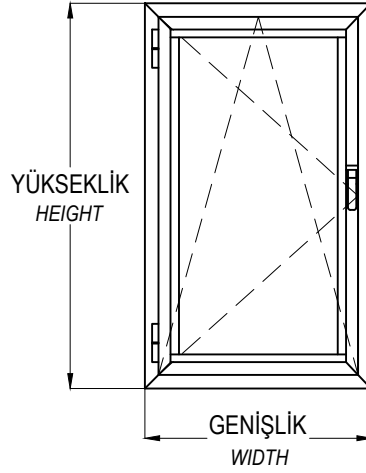
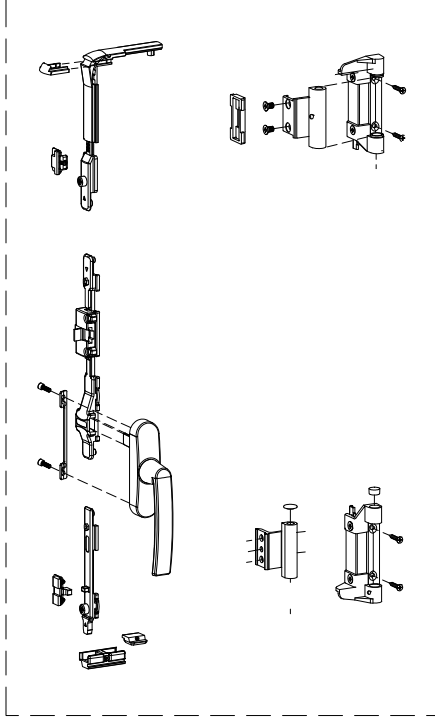



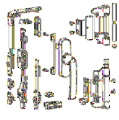

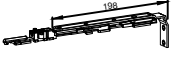



## LAVAAL ÇİFT EKSEN AÇILIM AKSESUAR KULLANIM TABLOSU

ALU - ALU TT

LAVAAL TILT&amp;TURN OPENING ACCESSORIES TABLE

## STANDART KİT / ASI-LTT-S01



							
		ASI-LTT-S01	ASI-LTT-M01	ASI-LTT-M02	ASI-LTT-M03	ASI-LTT-M04	ASI-LTT-B01
KANAT GENİŞLİK / Sash Widht : 345-400mm		X	X				
KANAT GENİŞLİK / Sash Widht : 401-540mm		X		X			
KANAT GENİŞLİK / Sash Widht : 541-1100mm		X			X		
KANAT GENİŞLİK / Sash Widht : 1100-1500mm		X			X	X	
KANAT YÜKSEKLİK / Sash Height : < 1400mm							X

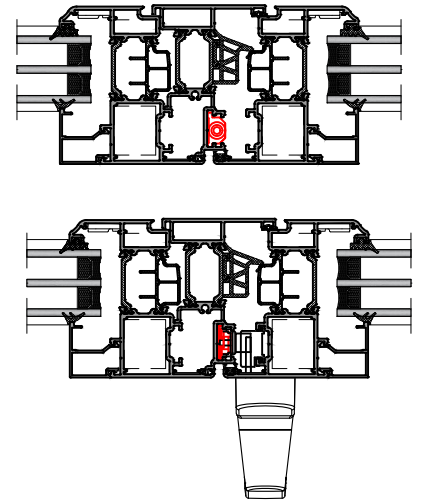
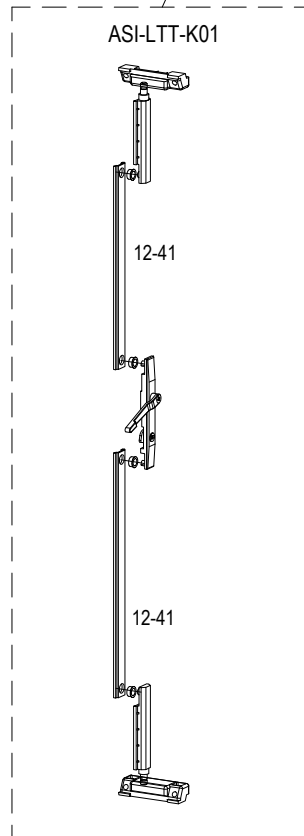
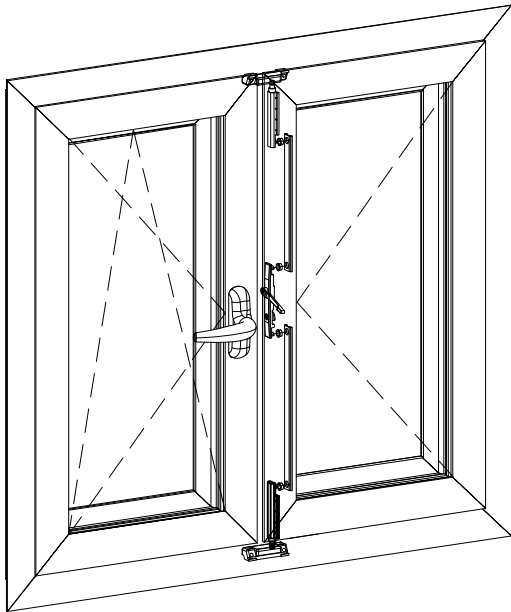
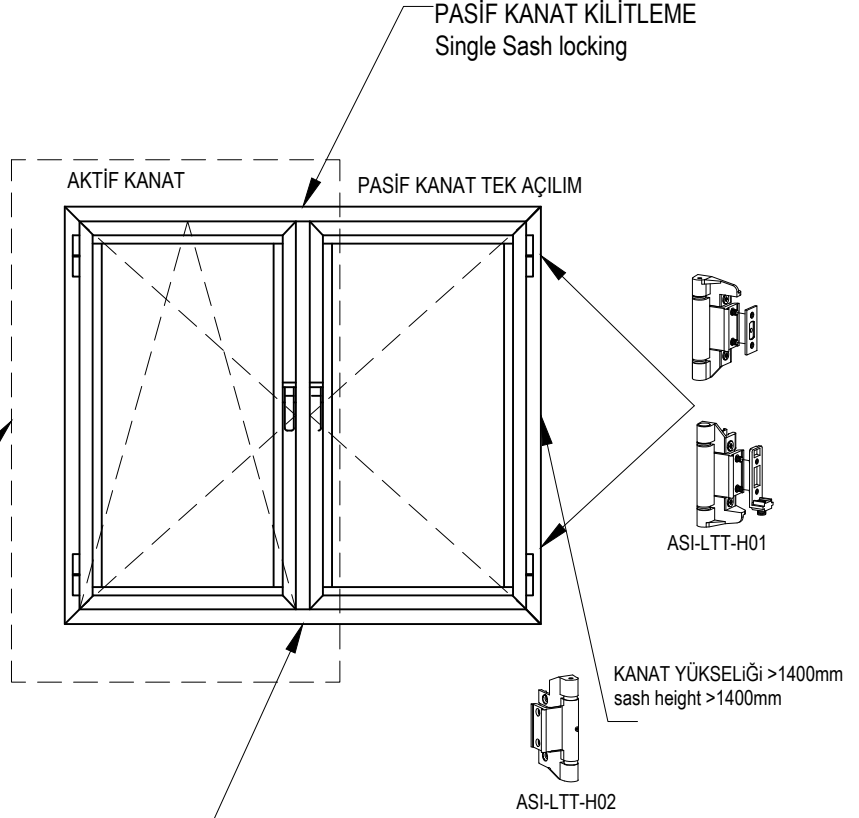
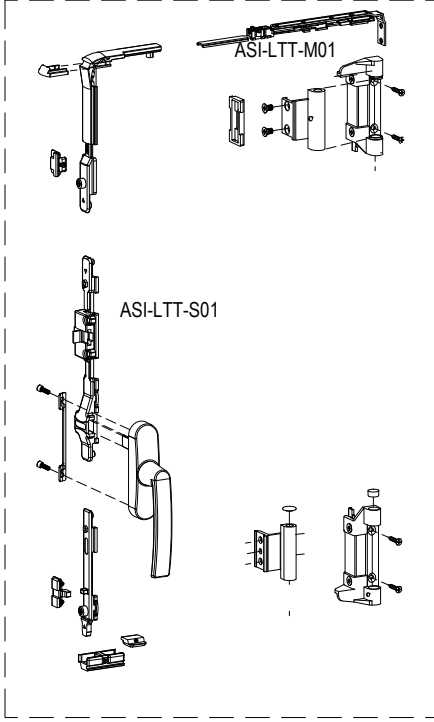
# TH78

YALITIMLI KAPI-PENCERE SİSTEMİ  
THERMAL WINDOW&DOOR SYSTEM

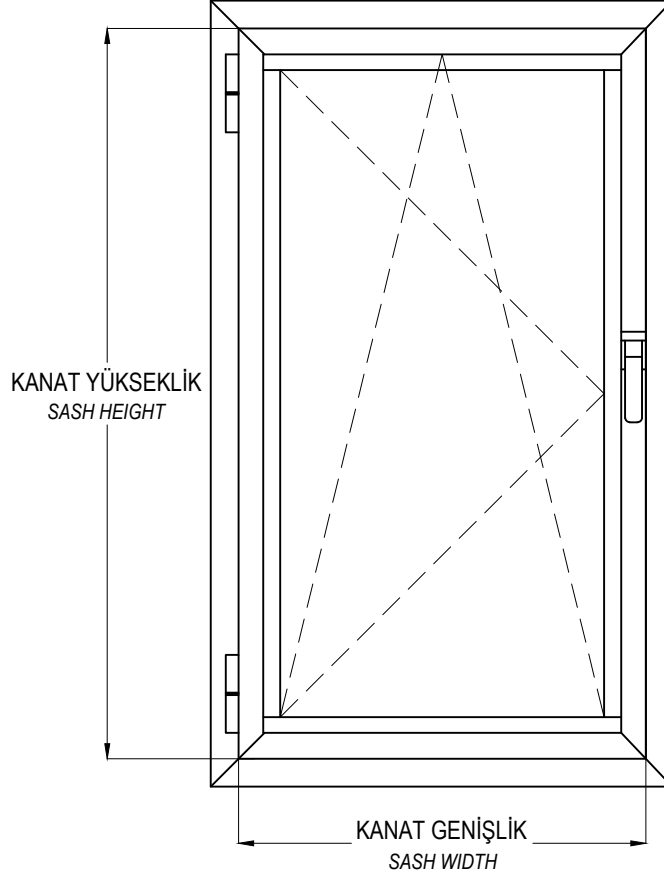
## ASISTAL

LAVAAL ÇİFT EKSEN AÇILIM ÇİFT KANAT AKSESUAR KULLANIM TABLOSU  
ALU - ALU TT  
LAVAAL TILT&TURN OPENING ACCESSORIES TABLE

STANDART KİT / ASI-LTT-S01



MULTI POINT SİSTEM (PVC KANALLI) ÇİFT EKSEN AÇILIM AKSESUAR TABLOSU  
MULTI POINT SYSTEM TILT&TURN OPENING ACCESSORIES TABLE



MULTI POINT (PVC KANALLI) KİLİTLEME AKSESUAR SEÇİM TABLOSU  
MULTI POINT SYSTEM ACCESSORIES TABLE

		GENİŞLİK - WIDTH				
		400-650mm	600-850mm	850-1100mm	1100-1350mm	1350mm-1600mm
YÜKSEKLİK- HEIGHT	450-700 mm	ASI-PVC TT 01	ASI-PVC TT 02	ASI-PVC TT 03	ASI-PVC TT 04	
	700-1200 mm	ASI-PVC TT 05	ASI-PVC TT 06	ASI-PVC TT 07	ASI-PVC TT 08	ASI-PVC TT 09
	1200-1400 mm	ASI-PVC TT 10	ASI-PVC TT 11	ASI-PVC TT 12	ASI-PVC TT 013	ASI-PVC TT 14
	1400-1700 mm	ASI-PVC TT 15	ASI-PVC TT 16	ASI-PVC TT 017	ASI-PVC TT 18	ASI-PVC TT 19
	1700-2400 mm	ASI-PVC TT 20	ASI-PVC TT 21	ASI-PVC TT 22	ASI-PVC TT 23	ASI-PVC TT 24

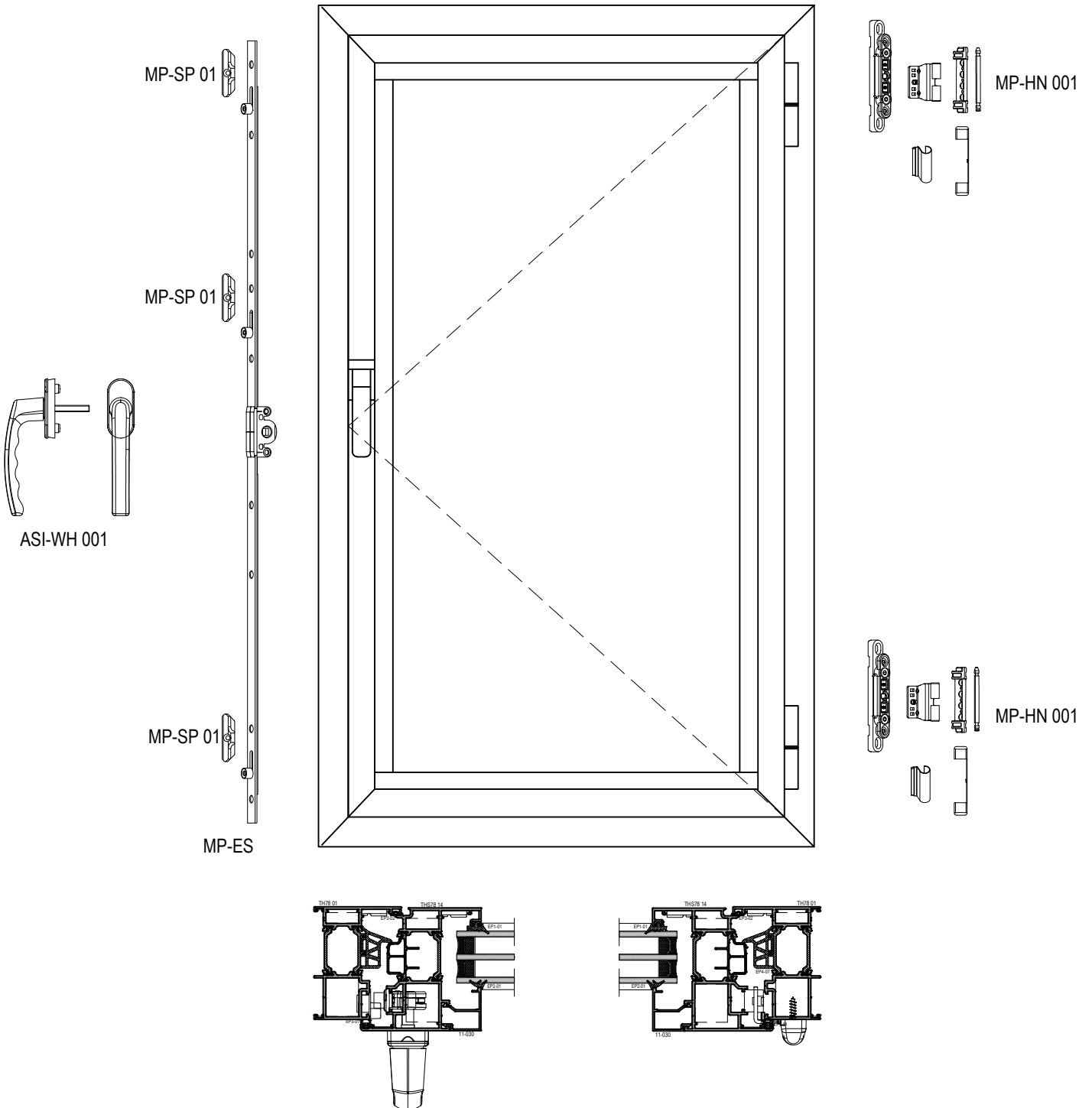


# TH78

YALITIMLI KAPI-PENCERE SİSTEMİ  
THERMAL WINDOW&DOOR SYSTEM



## MULTI POINT SİSTEM (PVC KANALLI) TEK EKSEN AÇILIM AKSESUARLARI MULTI POINT SYSTEM SINGLE OPENING WINDOW ACCESSORIES

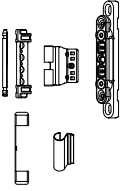




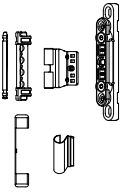
## MULTI POINT SİSTEM (PVC KANALLI) TEK KANAT AÇILIM KAPI AKSESUARLARI

MULTI POINT SYSTEM INNER / OUTER OPENING DOOR ACCESSORIES

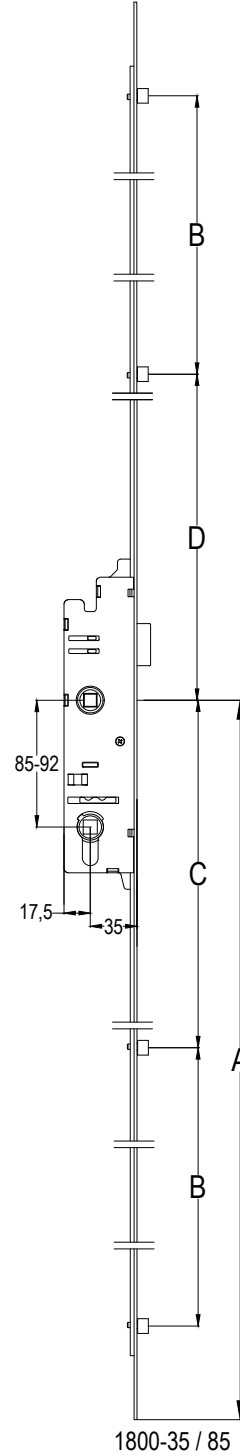
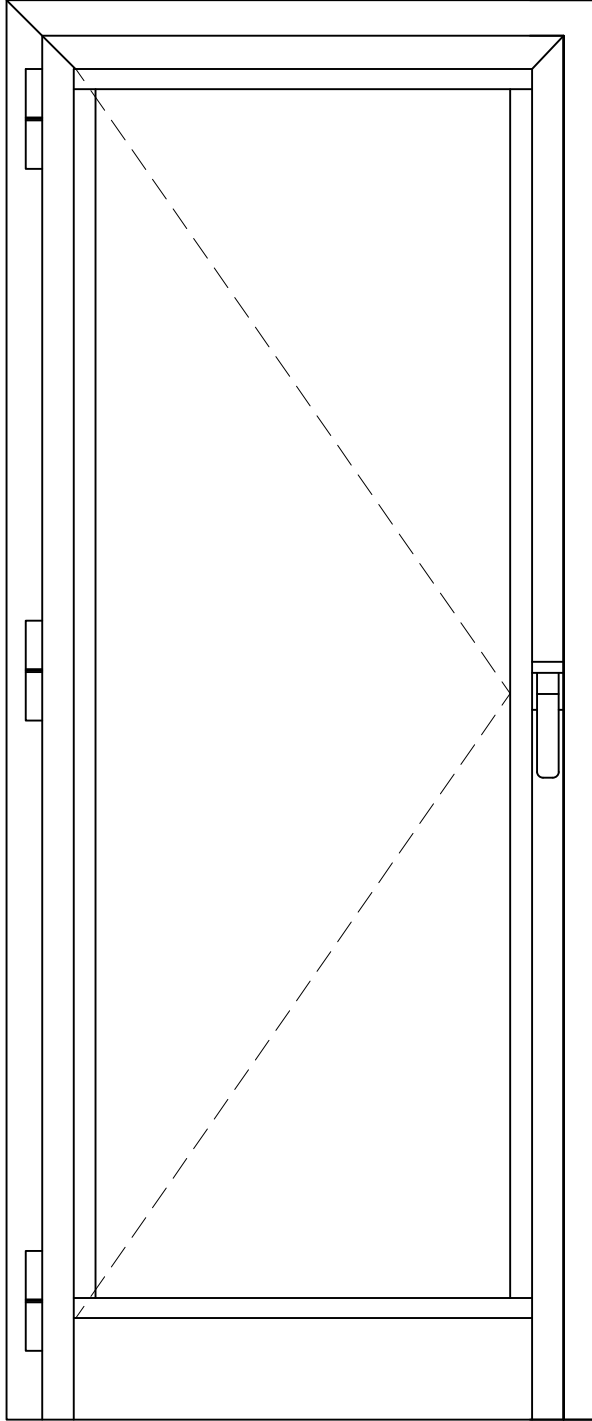
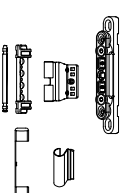
MP-HN 002



MP-HN 002



MP-HN 002



MP-SP 01

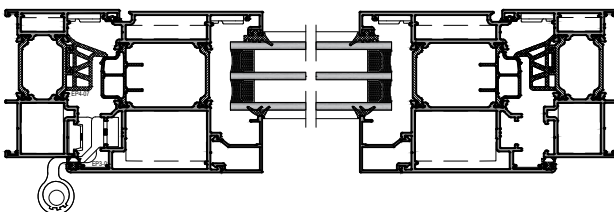
MP-SP 01

MP-SP 02  
ASI-BRL 116

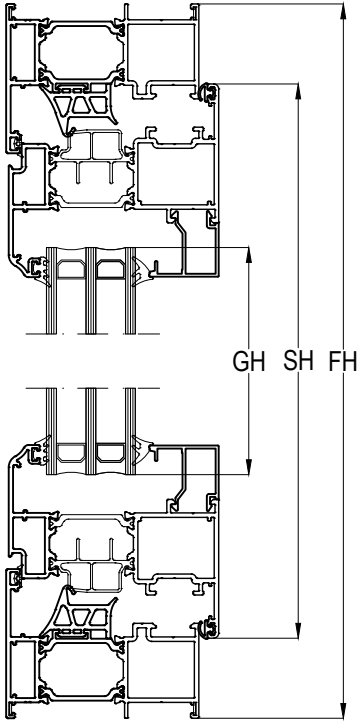
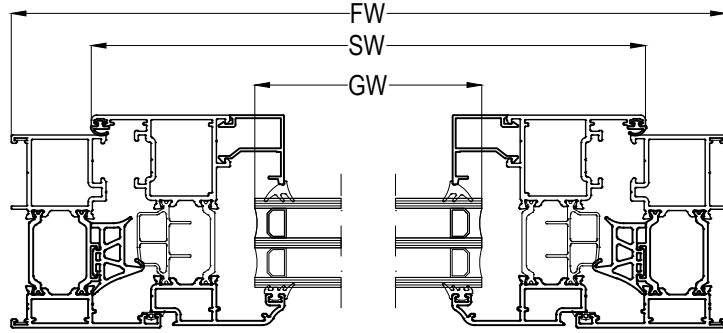
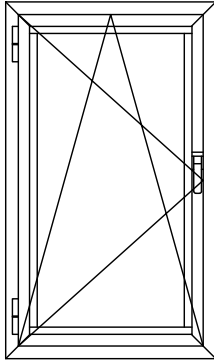
ASI-DH 001

MP-SP 01

MP-SP 01



### TEK KANAT AÇILIM KESİM ÖLÇÜLERİ SINGLE SASH CUTTING SIZES

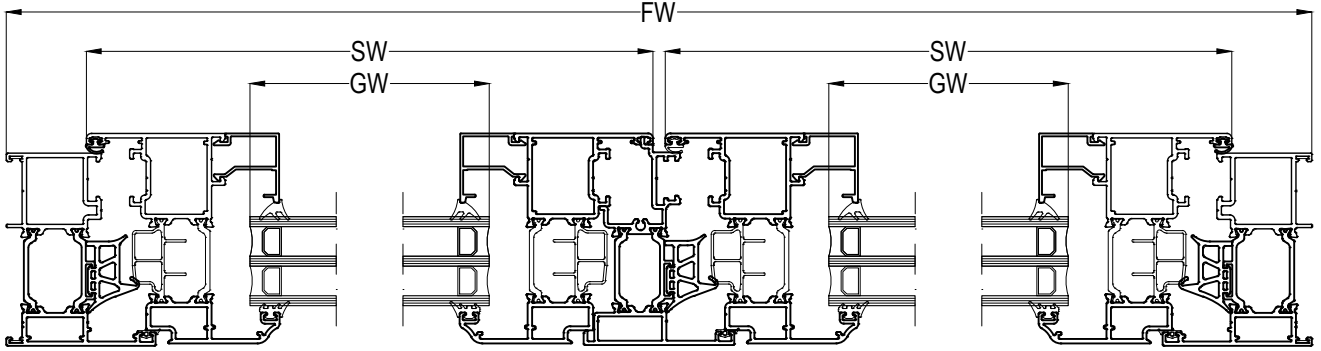


KASA PROFİLİ FRAME PROFILE	KANAT PROFİLİ SASH PROFILE	KESİM ÖLÇÜLERİ CUTTING SIZES
TH78 01 TH78 01 TH78 01	TH78 11 THS78 11 TH78 18	SW = FW - 64,8mm GW = SW - 122,4mm SH = FH - 64,8mm GH = SH - 122,4mm
TH78 01 TH78 01	TH78 12 THS78 12	SW = FW - 64,8mm GW = SW - 162,8mm SH = FH - 64,8mm GH = SH - 162,8mm
TH78 02 TH78 02 TH78 02	TH78 11 THS78 11 TH78 18	SW = FW - 105,2mm GW = SW - 122,4mm SH = FH - 105,2mm GH = SH - 122,4mm
TH78 02 TH78 02	TH78 12 THS78 12	SW = FW - 105,2mm GW = SW - 162,8mm SH = FH - 105,2mm GH = SH - 162,8mm

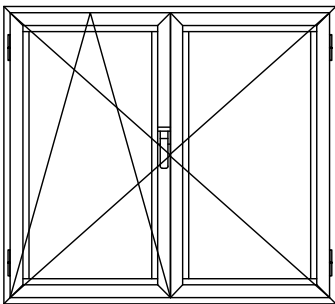
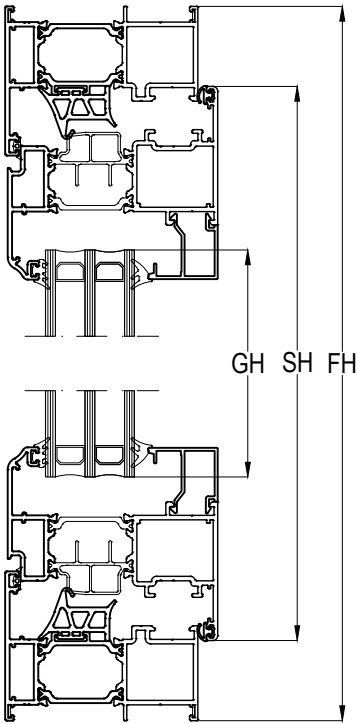
FW= KASA GENİŞLİĞİ / FRAME WIDTH  
SW= KANAT GENİŞLİĞİ / SASH WIDTH  
GW= CAM GENİŞLİĞİ / GLASS WIDTH

FH= KASA YÜKSEKLİĞİ / FRAME HEIGHT  
SH= KANAT YÜKSEKLİĞİ / SASH HEIGHT  
GH= CAM YÜKSEKLİĞİ / GLASS HEIGHT

### ÇİFT KANAT AÇILIM KESİM ÖLÇÜLERİ DOUBLE SASH CUTTING SIZES



ADAPTÖR PROFİLİ  
TH78 41 = SH - 72,6mm

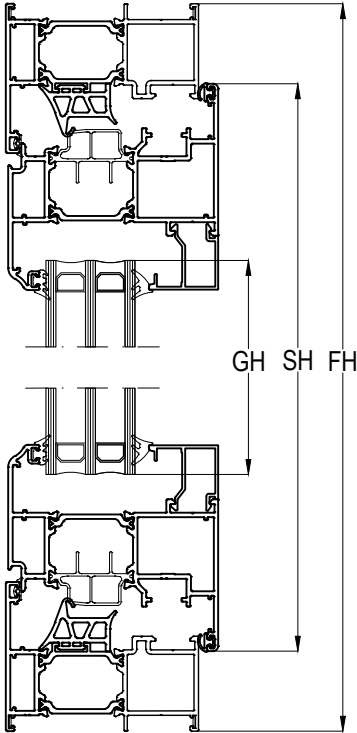
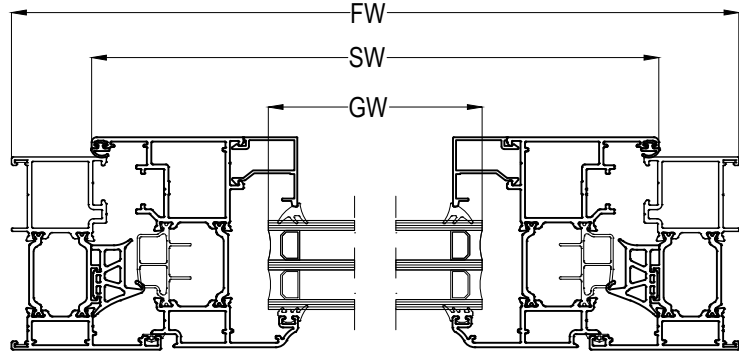
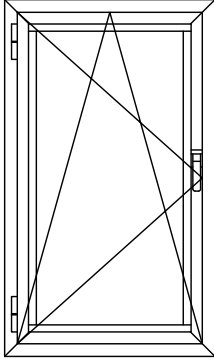


KASA PROFİLİ FRAME PROFILE	KANAT PROFİLİ SASH PROFILE	KESİM ÖLÇÜLERİ CUTTING SIZES
TH78 01 TH78 01 TH78 01	TH78 11 THS78 11 TH78 18	SW = FW / 2 - 34,9mm GW = SW - 122,4mm SH = FH - 64,8mm GH = SH - 122,4mm
TH78 01 TH78 01	TH78 12 THS78 12	SW = FW / 2 - 34,9mm GW = SW - 162,8mm SH = FH - 64,8mm GH = SH - 162,8mm
TH78 02 TH78 02 TH78 02	TH78 11 THS78 11 TH78 18	SW = FW / 2 - 55,1mm GW = SW - 122,4mm SH = FH - 105,2mm GH = SH - 122,4mm
TH78 02 TH78 02	TH78 12 THS78 12	SW = FW / 2 - 55,1mm GW = SW - 162,8mm SH = FH - 105,2mm GH = SH - 162,8mm

FW= KASA GENİŞLİĞİ / FRAME WIDTH  
SW= KANAT GENİŞLİĞİ / SASH WIDTH  
GW= CAM GENİŞLİĞİ / GLASS WIDTH

FH= KASA YÜKSEKLİĞİ / FRAME HEIGHT  
SH= KANAT YÜKSEKLİĞİ / SASH HEIGHT  
GH= CAM YÜKSEKLİĞİ / GLASS HEIGHT

### MULTI POINT (PVC KANALLI) TEK KANAT AÇILIM KESİM ÖLÇÜLERİ MULTI POINT SINGLE SASH CUTTING SIZES

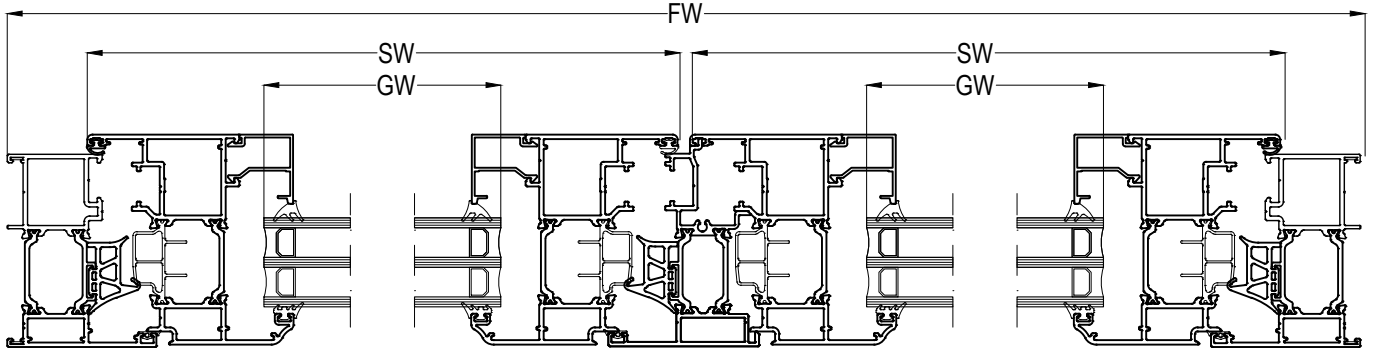


KASA PROFİLİ FRAME PROFILE	KANAT PROFİLİ SASH PROFILE	KESİM ÖLÇÜLERİ CUTTING SIZES
TH78 01 TH78 01	TH78 14 THS78 14	SW = FW - 64,8mm GW = SW - 133mm  SH = FH - 64,8mm GH = SH - 133mm
TH78 01 TH78 01	TH78 15 THS78 15	SW = FW - 64,8mm GW = SW - 173,4mm  SH = FH - 64,8mm GH = SH - 173,4mm
TH78 02 TH78 02	TH78 14 THS78 14	SW = FW - 105,2mm GW = SW - 133mm  SH = FH - 105,2mm GH = SH - 133mm
TH78 02 TH78 02	TH78 15 THS78 15	SW = FW - 105,2mm GW = SW - 173,4mm  SH = FH - 105,2mm GH = SH - 173,4mm

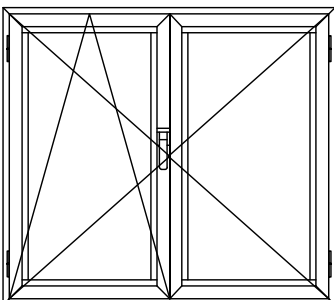
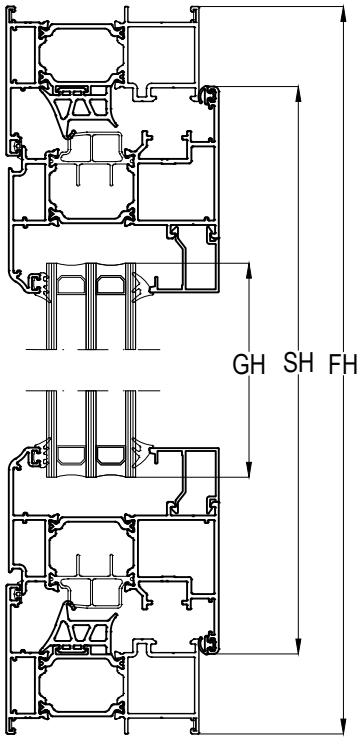
FW= KASA GENİŞLİĞİ / FRAME WIDTH  
SW= KANAT GENİŞLİĞİ / SASH WIDTH  
GW= CAM GENİŞLİĞİ / GLASS WIDTH

FH= KASA YÜKSEKLİĞİ / FRAME HEIGHT  
SH= KANAT YÜKSEKLİĞİ / SASH HEIGHT  
GH= CAM YÜKSEKLİĞİ / GLASS HEIGHT

### MULTI POINT (PVC KANALLI) ÇİFT KANAT AÇILIM KESİM ÖLÇÜLERİ MULTI POINT DOUBLE SASH CUTTING SIZES



ADAPTÖR PROFİLİ  
TH78 42 = SH - 72,6mm



KASA PROFİLİ FRAME PROFILE	KANAT PROFİLİ SASH PROFILE	KESİM ÖLÇÜLERİ CUTTING SIZES
TH78 01 TH78 01	TH78 14 THS78 14	SW = FW / 2 - 34,9mm GW = SW - 133mm  SH = FH - 64,8mm GH = SH - 133mm
TH78 01 TH78 01	TH78 15 THS78 15	SW = FW / 2 - 34,9mm GW = SW - 173,4mm  SH = FH - 64,8mm GH = SH - 173,4mm
TH78 02 TH78 02	TH78 14 THS78 14	SW = FW / 2 - 55,1mm GW = SW - 133mm  SH = FH - 105,2mm GH = SH - 133mm
TH78 02 TH78 02	TH78 15 THS78 15	SW = FW / 2 - 55,1mm GW = SW - 173,4mm  SH = FH - 105,2mm GH = SH - 173,4mm

FW= KASA GENİŞLİĞİ / FRAME WIDTH  
SW= KANAT GENİŞLİĞİ / SASH WIDTH  
GW= CAM GENİŞLİĞİ / GLASS WIDTH

FH= KASA YÜKSEKLİĞİ / FRAME HEIGHT  
SH= KANAT YÜKSEKLİĞİ / SASH HEIGHT  
GH= CAM YÜKSEKLİĞİ / GLASS HEIGHT