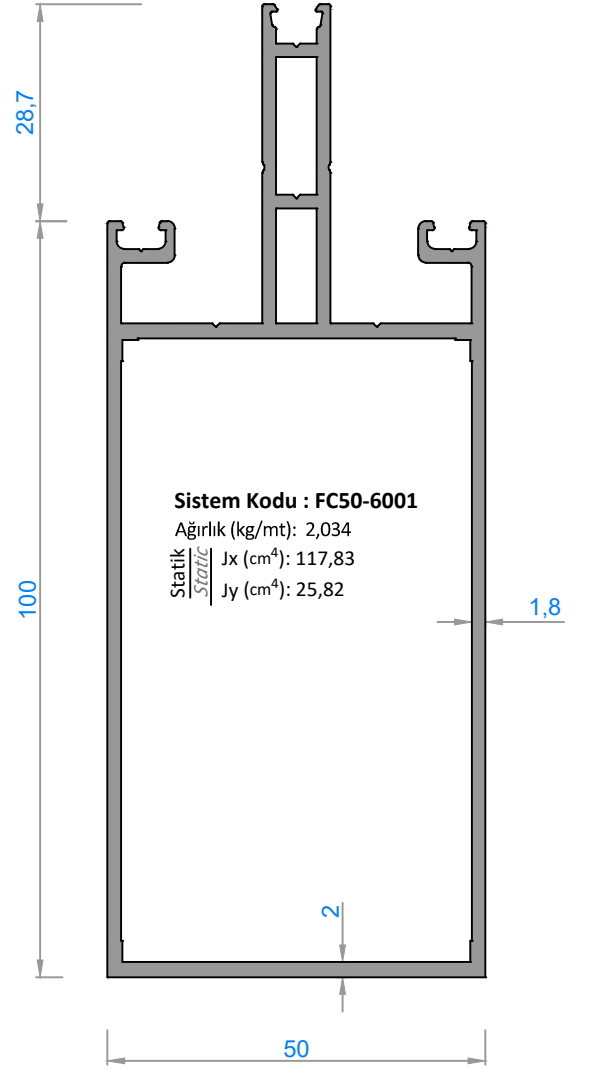
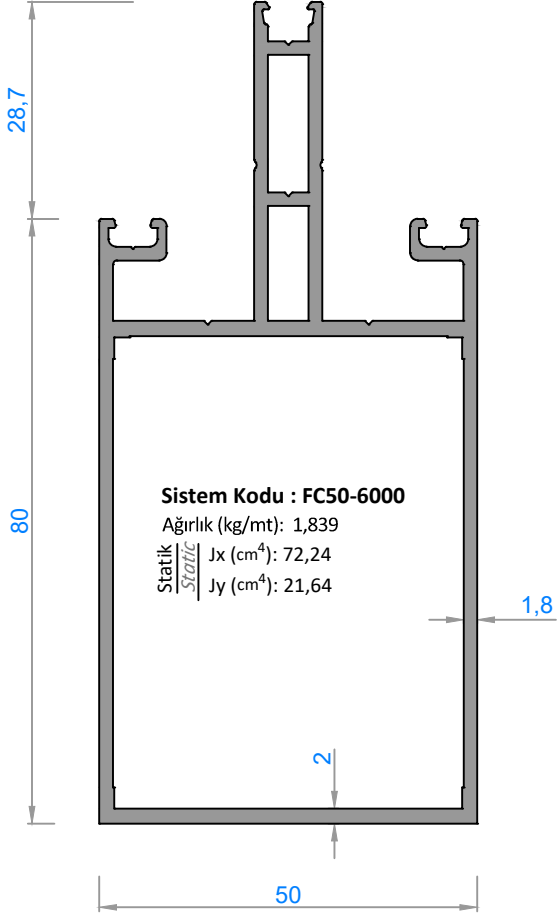
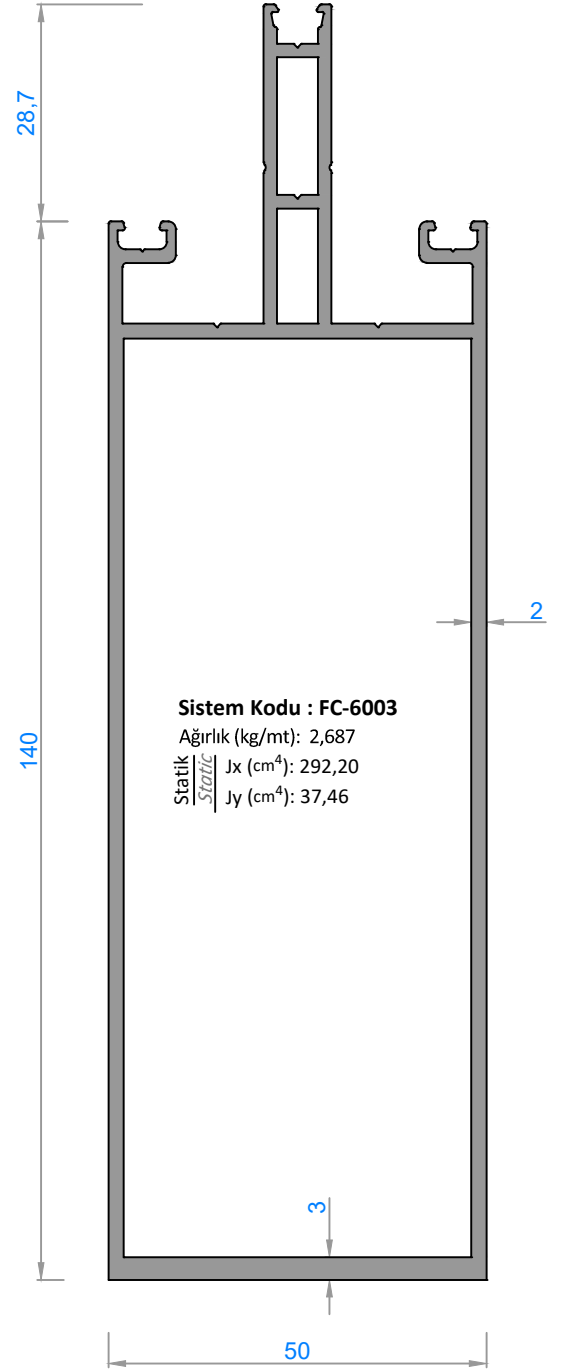
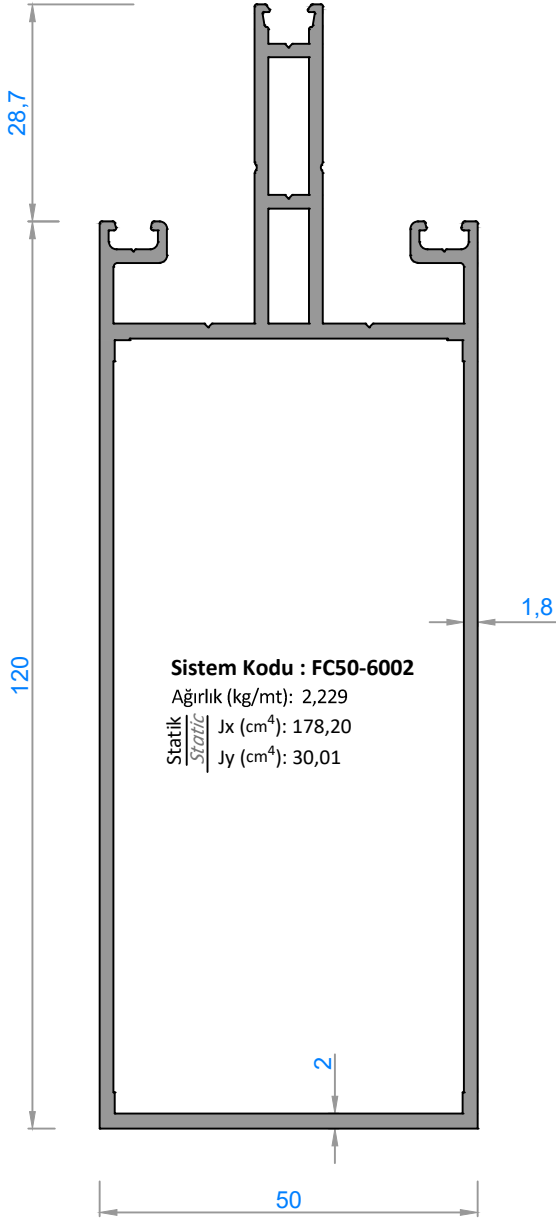
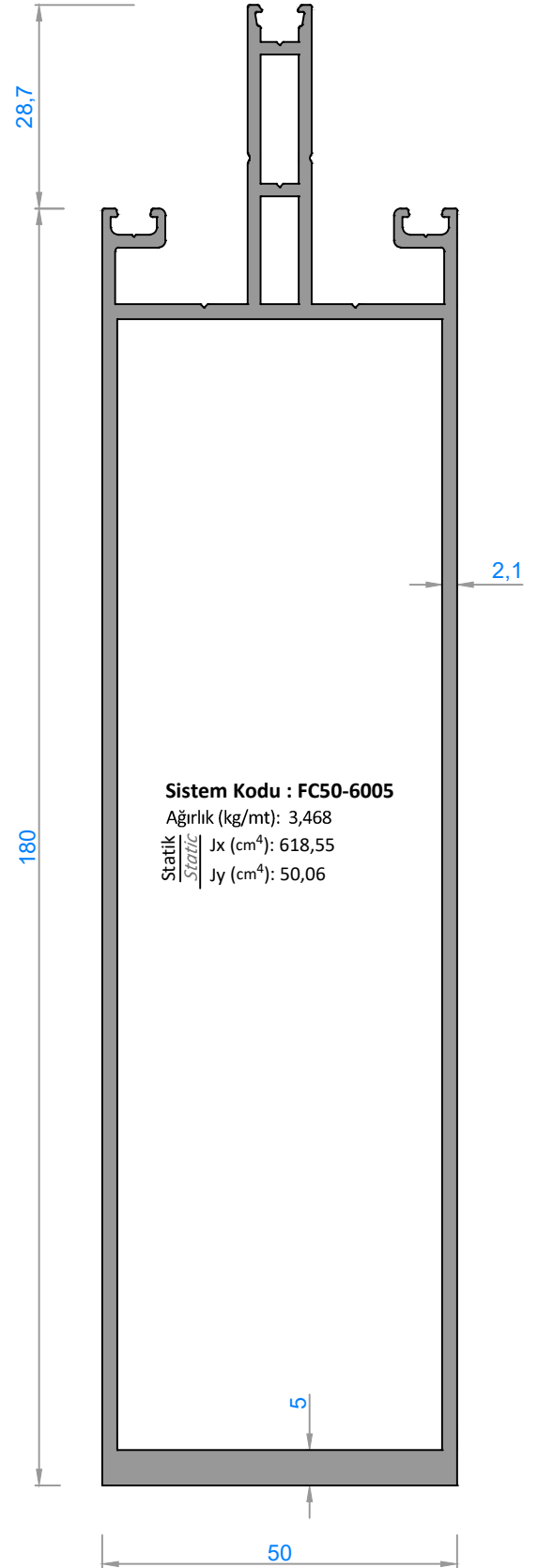
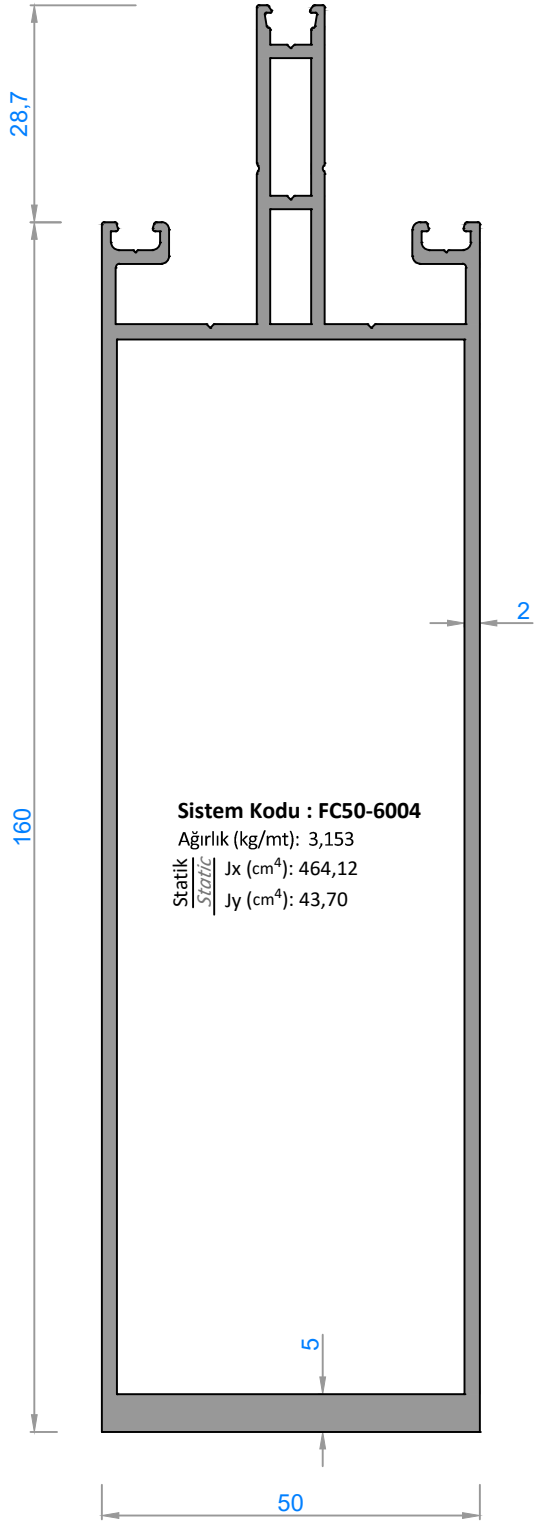


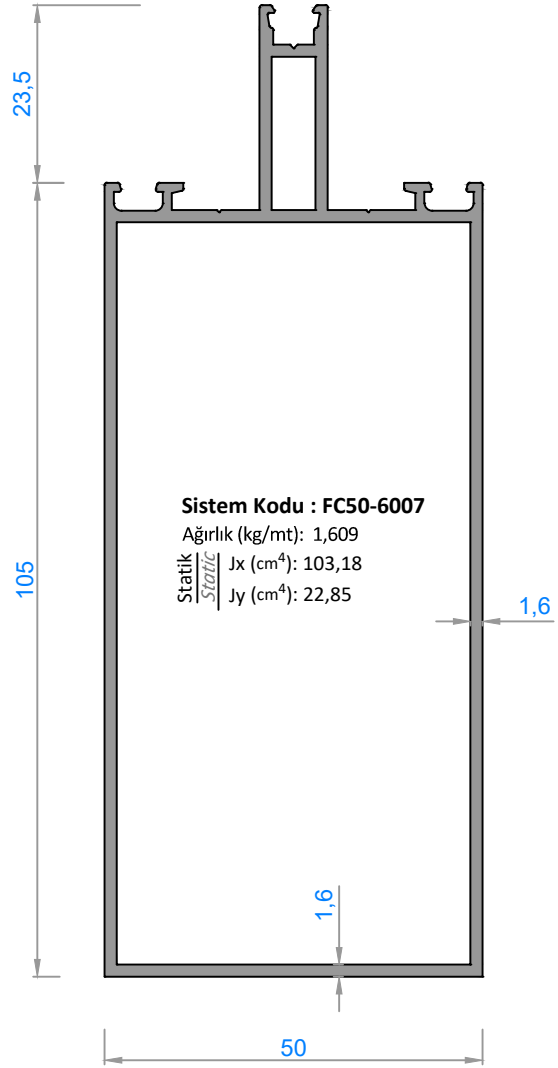
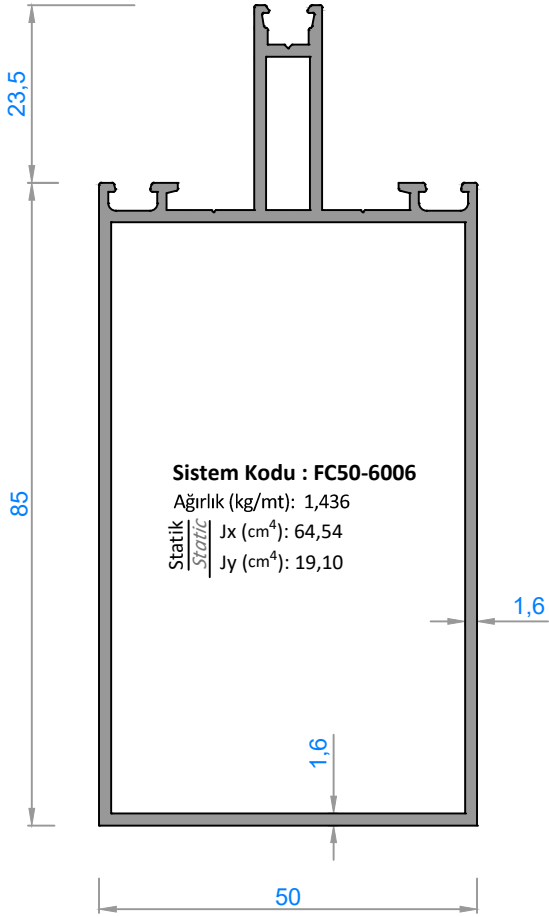
**FC - 50 CEPHE SİSTEMİ / FC - 50 Facade Systems**

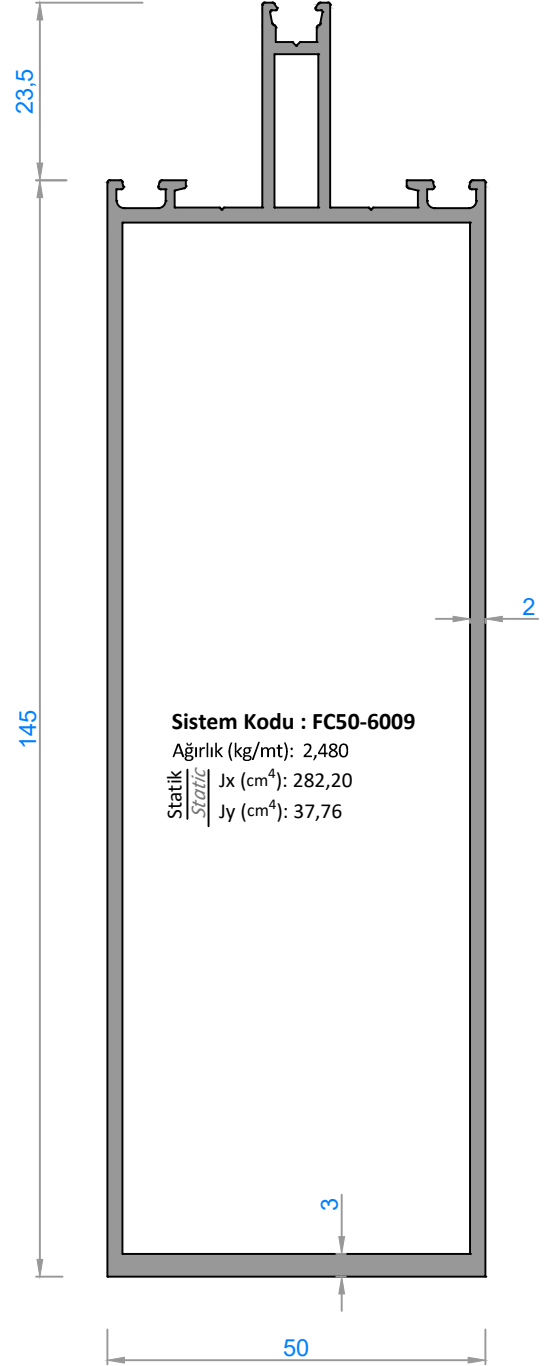
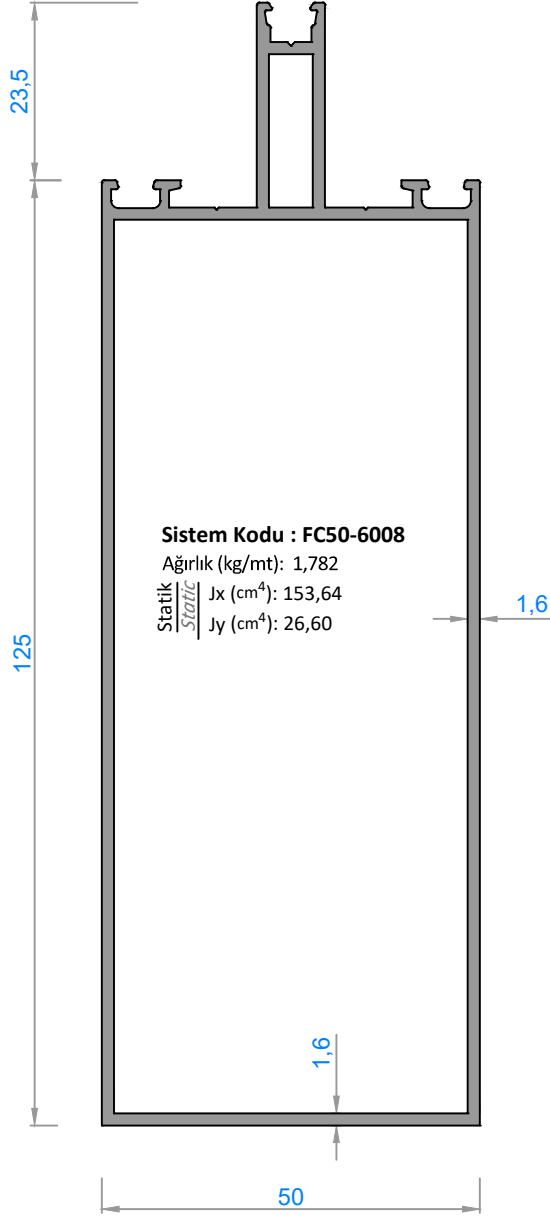


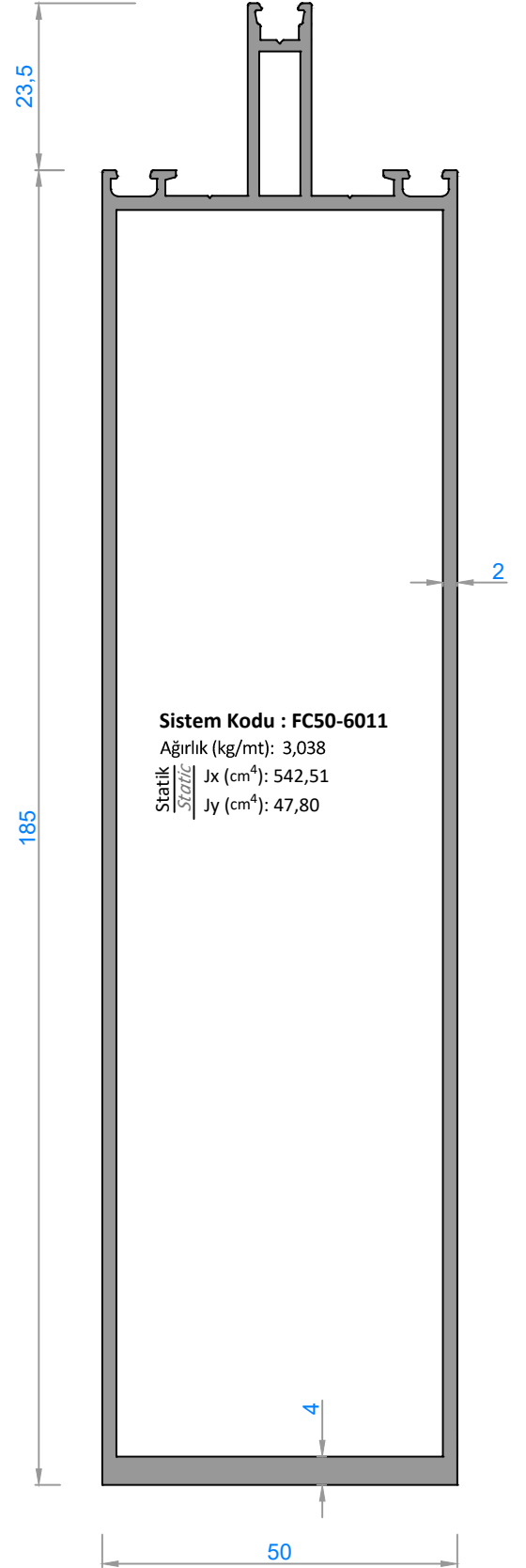
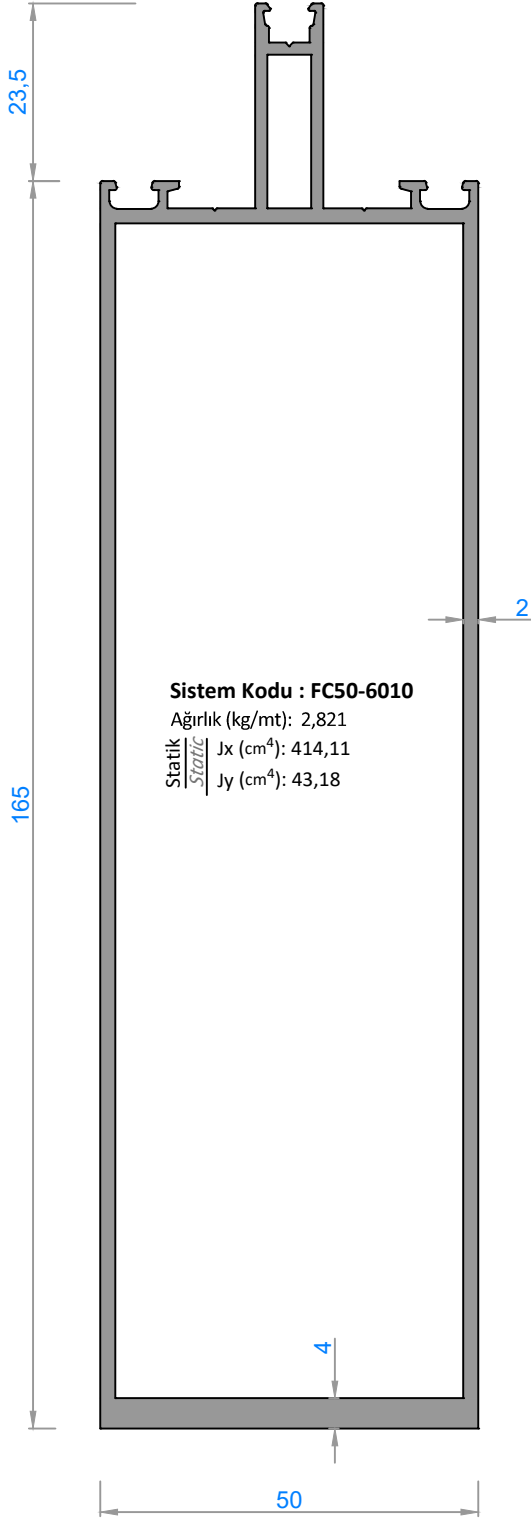


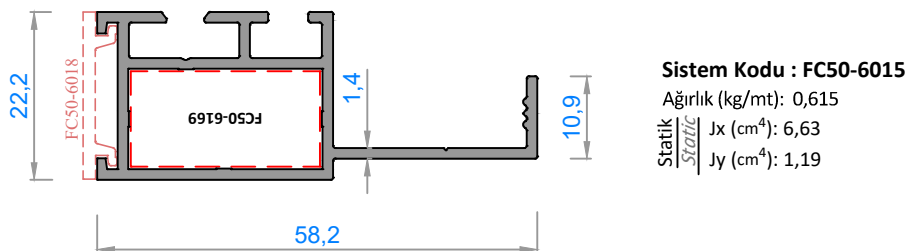
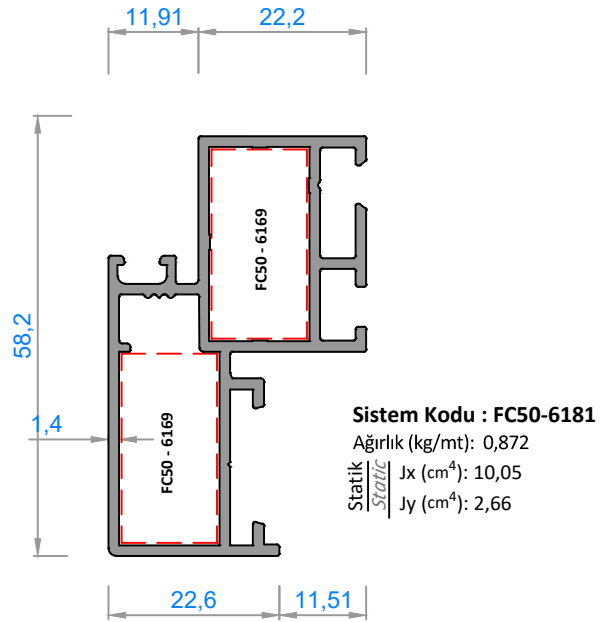
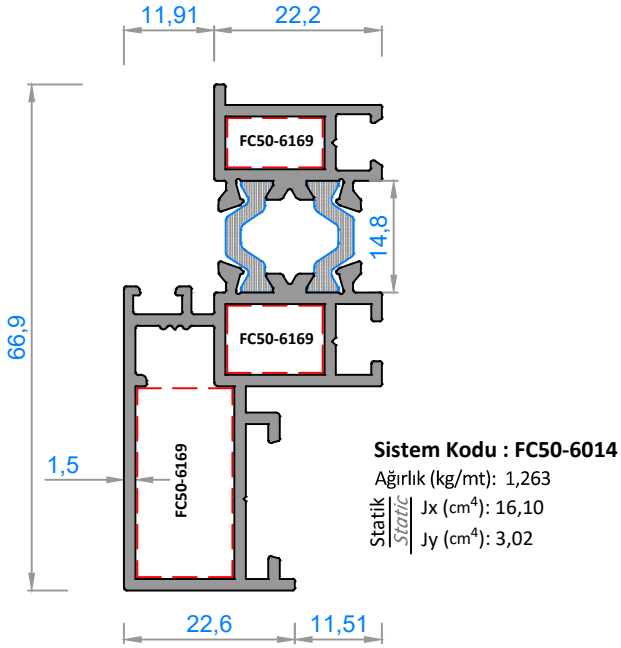
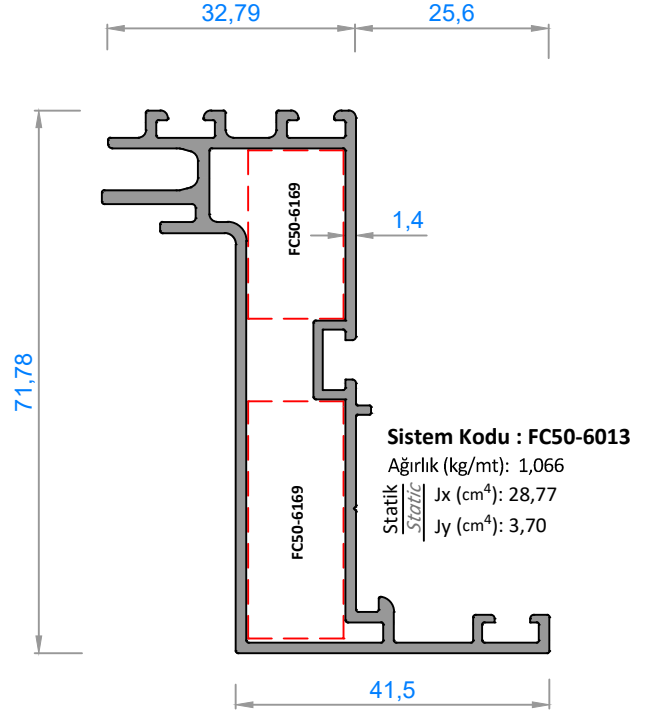
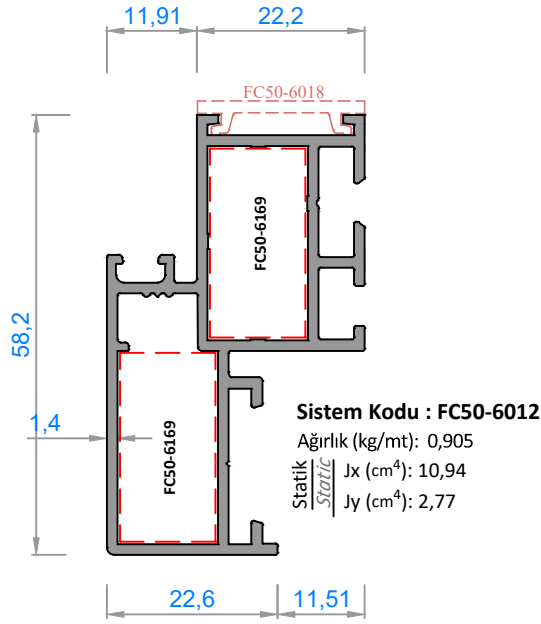


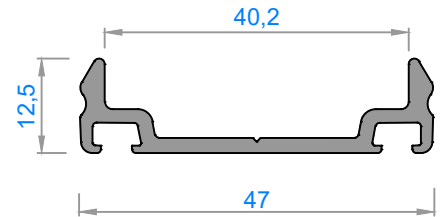
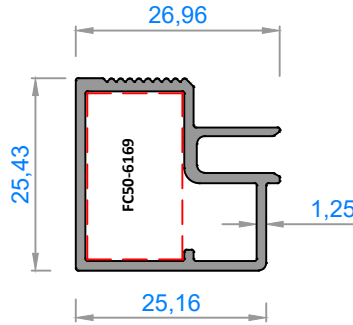
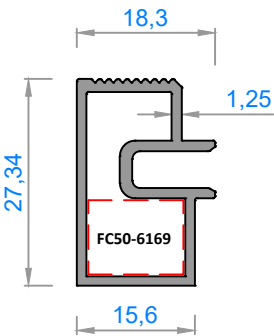
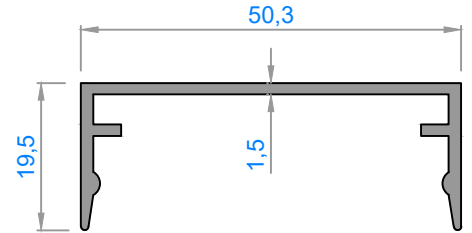
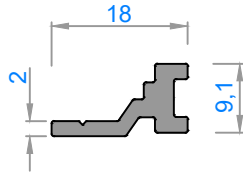
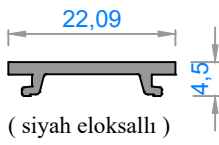
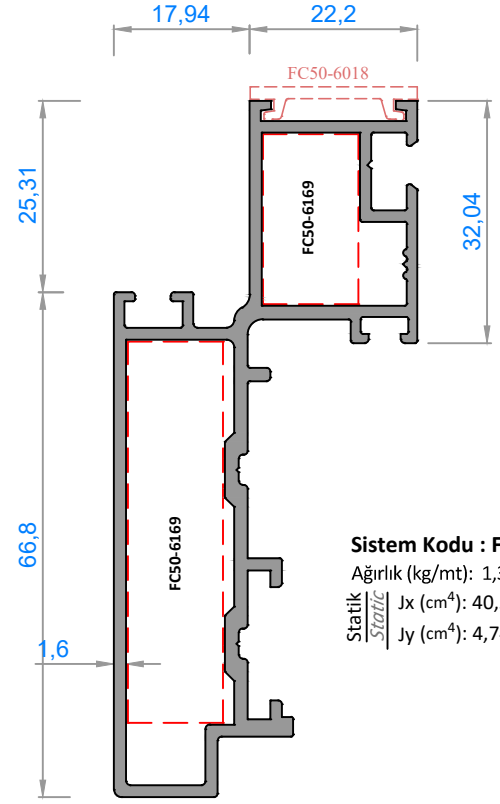
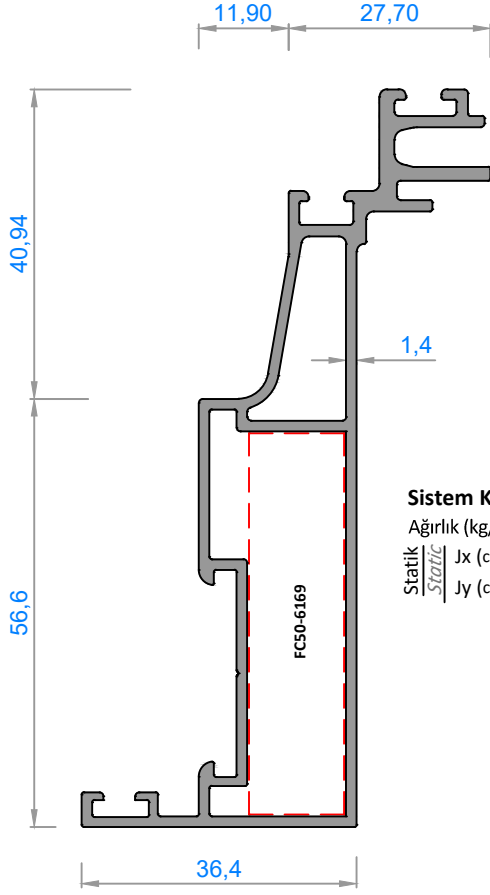


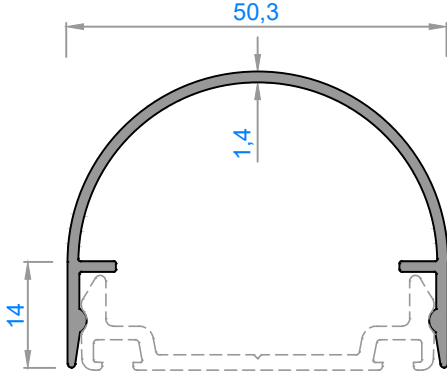




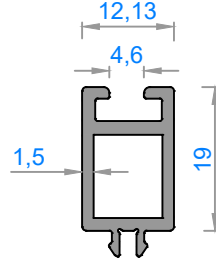




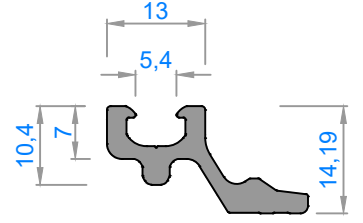




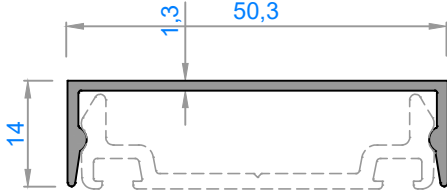
**Sistem Kodu : FC50-6023**  
Ağırlık (kg/mt): 0,450



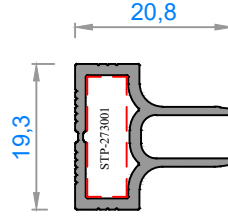
**Sistem Kodu : FC50-6025**  
Ağırlık (kg/mt): 0,280



**Sistem Kodu : FC50-6026**  
Ağırlık (kg/mt): 0,315

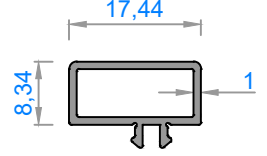


**Sistem Kodu : FC50-6024**  
Ağırlık (kg/mt): 0,285

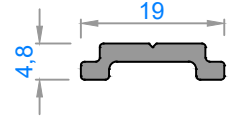


**Sistem Kodu : FC50-6027**  
Ağırlık (kg/mt): 0,265

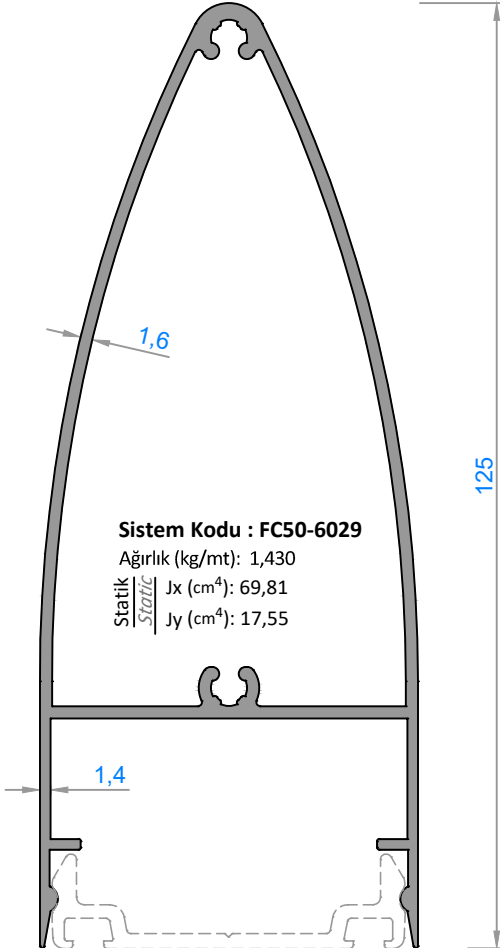
( siyah ekoksallı )



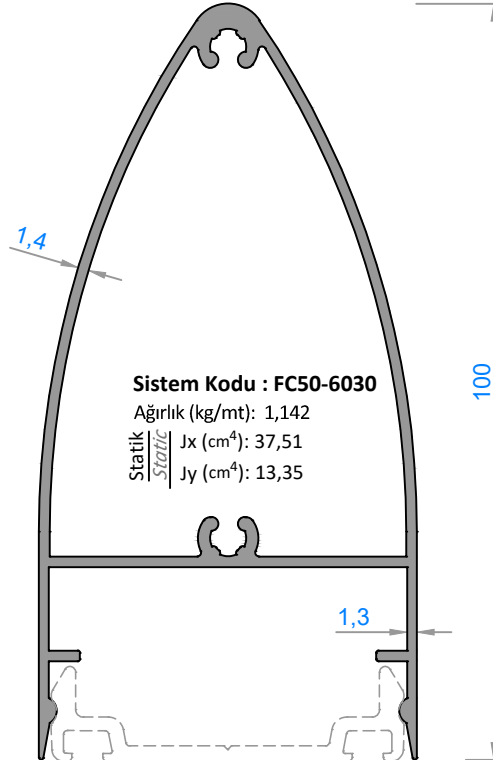
**Sistem Kodu : FC50-6028**  
Ağırlık (kg/mt): 0,145



**Sistem Kodu : 1328**  
Ağırlık (kg/mt): 0,145

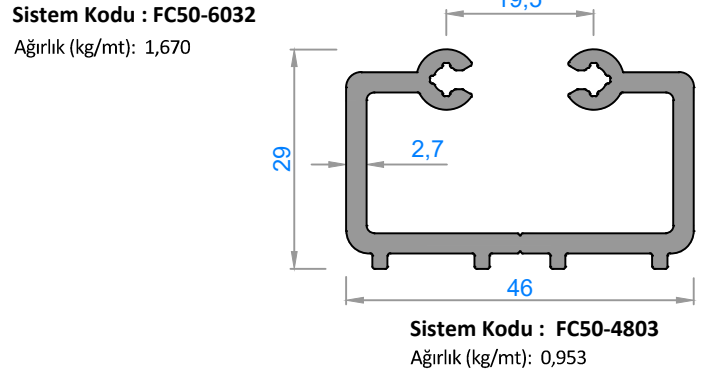
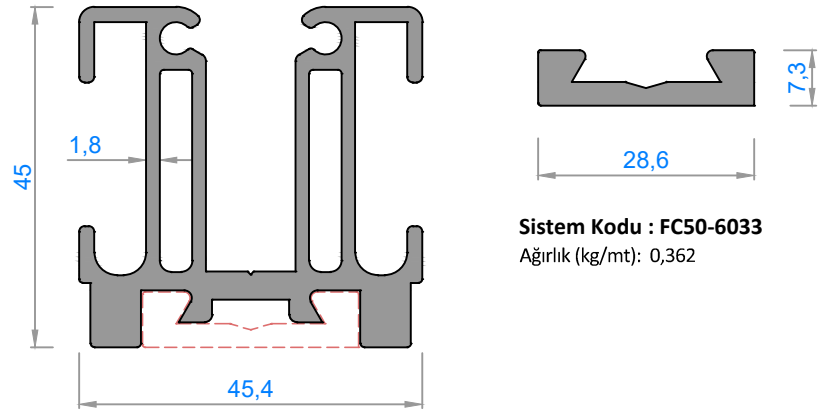
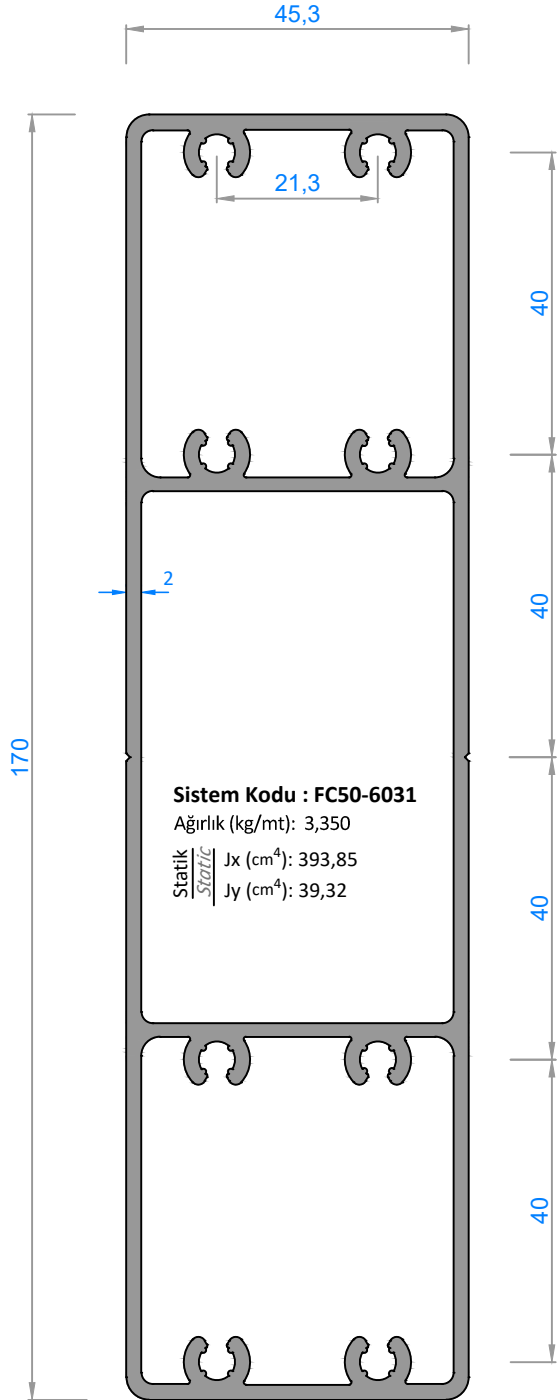


**Sistem Kodu : FC50-6029**  
Ağırlık (kg/mt): 1,430  
Statik  $J_x$  (cm<sup>4</sup>): 69,81  
Statik  $J_y$  (cm<sup>4</sup>): 17,55



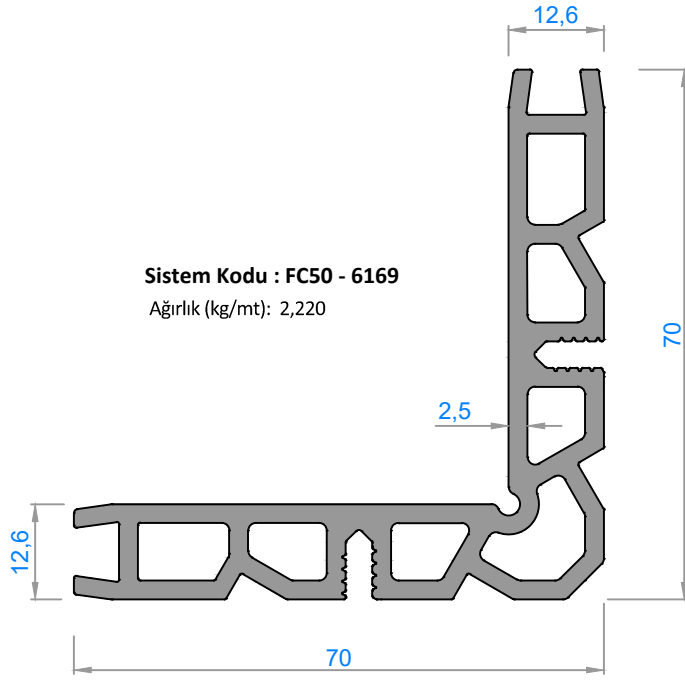
**Sistem Kodu : FC50-6030**  
Ağırlık (kg/mt): 1,142  
Statik  $J_x$  (cm<sup>4</sup>): 37,51  
Statik  $J_y$  (cm<sup>4</sup>): 13,35



DILATASYON PROFİL DILATATION PROFILE	DILATASYON BAĞLANTI PROFİLİ PROFİL KODU / PROFILE CODE	DILATATION CONNECTION PROFILE AKSESUAR KODU / ACCESSORY CODE	KESİM ÖLÇÜSÜ CUTTING SIZE
FC50-6000	FC50-6031	FC50-6031-61,8	61,8 mm
FC50-6001	FC50-6031	FC50-6031-81,8	81,8 mm
FC50-6002	FC50-6031	FC50-6031-101,8	101,8 mm
FC50-6003	FC50-6031	FC50-6031-120,8	120,8 mm
FC50-6004	FC50-6031	FC50-6031-138,8	138,8 mm
FC50-6005	FC50-6031	FC50-6031-158,8	158,8 mm
FC50-6006	FC50-6031	FC50-6031-77,3	77,3 mm
FC50-6007	FC50-6031	FC50-6031-97,3	97,3 mm
FC50-6008	FC50-6031	FC50-6031-117,3	117,3 mm
FC50-6009	FC50-6031	FC50-6031-135,8	135,8 mm
FC50-6010	FC50-6031	FC50-6031-154,8	154,8 mm
FC50-6011	FC50-6031	FC50-6031-174,8	174,8 mm



PROFİL PROFILE	"U" BAĞLANTI PROFİLİ PROFİL KODU / PROFILE CODE	"U" CONNECTION PROFILE AKSESUAR KODU / ACCESSORY CODE	KESİM ÖLÇÜSÜ CUTTING SIZE
FC50-6006	(FC50-6032) + (FC50-6033)	(FC50-6032) + (FC50-6033) - 77,3	77,3 mm
FC50-6007	(FC50-6032) + (FC50-6033)	(FC50-6032) + (FC50-6033) - 97,3	97,3 mm
FC50-6008	(FC50-6032) + (FC50-6033)	(FC50-6032) + (FC50-6033) - 117,3	117,3 mm
FC50-6009	(FC50-6032) + (FC50-6033)	(FC50-6032) + (FC50-6033) - 135,8	135,8 mm
FC50-6010	(FC50-6032) + (FC50-6033)	(FC50-6032) + (FC50-6033) - 154,8	154,8 mm
FC50-6011	(FC50-6032) + (FC50-6033)	(FC50-6032) + (FC50-6033) - 174,8	174,8 mm

PROFİL PROFILE	"U" BAĞLANTI PROFİLİ PROFİL KODU / PROFILE CODE	"U" CONNECTION PROFILE AKSESUAR KODU / ACCESSORY CODE	KESİM ÖLÇÜSÜ CUTTING SIZE
FC50-6006	FC50-4803	(FC50-4803) - 77,3	77,3 mm
FC50-6007	FC50-4803	(FC50-4803) - 97,3	97,3 mm
FC50-6008	FC50-4803	(FC50-4803) - 117,3	117,3 mm
FC50-6009	FC50-4803	(FC50-4803) - 135,8	135,8 mm
FC50-6010	FC50-4803	(FC50-4803) - 154,8	154,8 mm
FC50-6011	FC50-4803	(FC50-4803) - 174,8	174,8 mm



KÖŞE TAKOZLARI (CORNER CLEATS)			
Nr	 L m	 AKS. KODU ACS. CODE	KESİM ÖLÇÜSÜ CUTTING SIZE
FC50-6012	FC50-6019	FC50-6019-25,0	25,0 mm
	FC50-6019	FC50-6019-25,0	25,0 mm
FC50-6014	FC50-6019	FC50-6019-6,50	6,50 mm
	FC50-6019	FC50-6019-8,90	8,90 mm
	FC50-6019	FC50-6019-25,0	25,0 mm
FC50-6016	FC50-6019	FC50-6019-50,4	50,4 mm
FC50-6017	FC50-6019	FC50-6019-22,5	22,3 mm
	FC50-6019	FC50-6019-50,4	31,4 mm
FC50-6020	FC50-6019	FC50-6019-9,80	9,80 mm
FC50-6021	FC50-6019	FC50-6019-21,95	21,95 mm