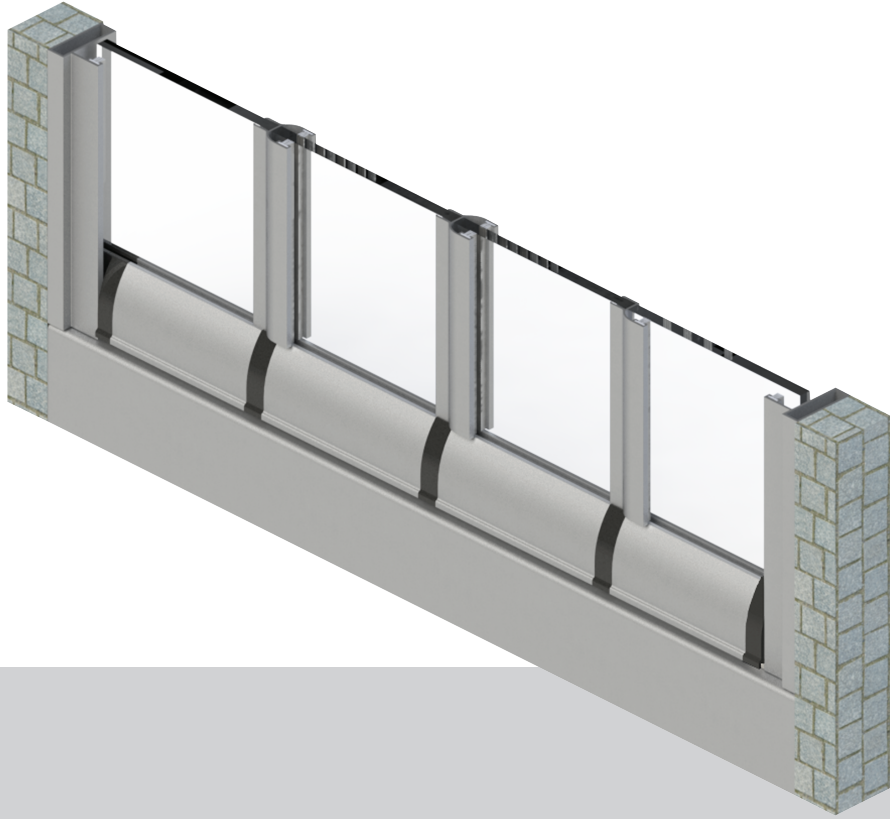
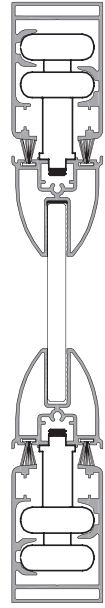
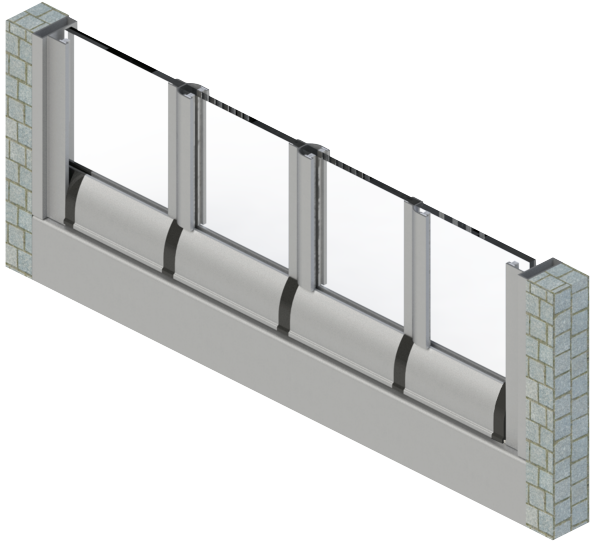




Dış Mekan Sistem
Outdoor System



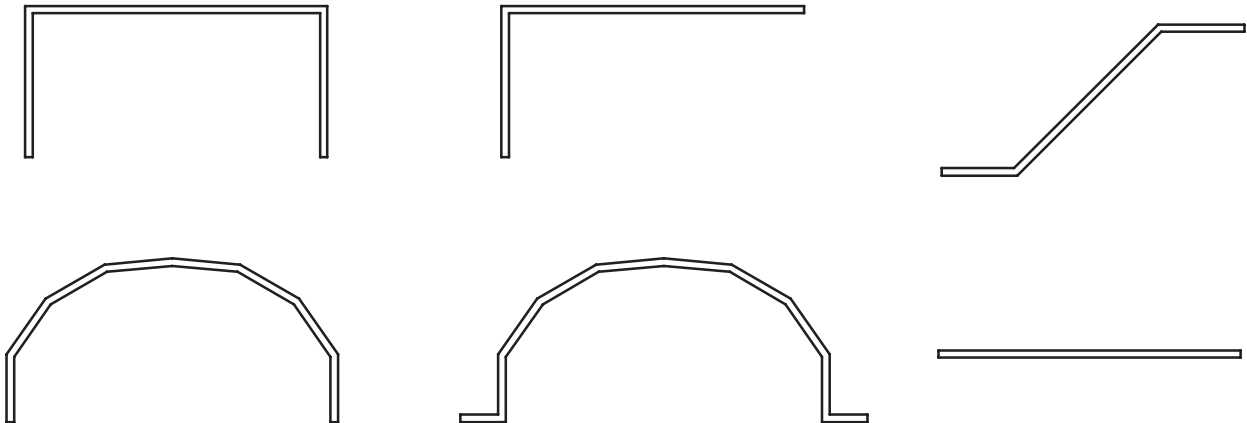
CB40


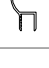




TEKNİK ÖZELLİKLER / TECHNICAL PROPERTIES

KASA GENİŞLİĞİ / FRAME WIDTH	40 mm
KANAT GENİŞLİĞİ / SASH WIDTH	40 mm
PROFİL ET KALINLIĞI / PROFILE WALL THICKNESS	1,3 mm - 2 mm
CAM KALINLIĞI / GLASS THICKNESS	8 - 10 mm
MAKS. KANAT GENİŞLİĞİ / MAX. SASH WIDTH	600 mm
MAKS. KANAT YÜKSEKLİĞİ / MAX. SASH HEIGHT	2900 mm
MAKS. KANAT AĞIRLIĞI / MAX. SASH WEIGHT	45 kg
MAKS. KANAT SAYISI / MAX. SASH NUMBER	10 Sol / 10 Sağ - 10 Left / 10 Right


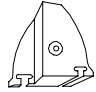
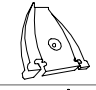
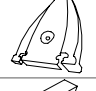
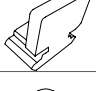
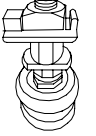
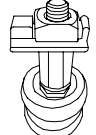
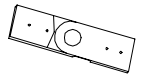
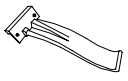
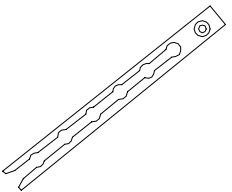
UYGULAMA SEÇENEKLERİ / APPLICATION OPTIONS

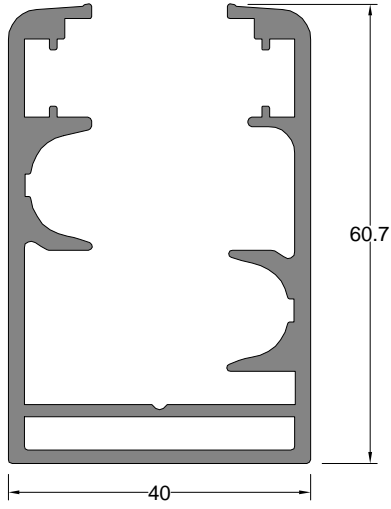


PROF L KES T PROFILE SECTION	PROF L KODU PROFILE CODE	PROF L ADI PROFILE NAME	Jx cm ⁴	Jy cm ⁴	A IRLIK (kg/m) WEIGHT
	3962	KASA PROF L FRAME PROFILE	-	-	1,475 kg/m
	10283	KASA PROF L FRAME PROFILE	-	-	1,339 kg/m
	11721	DAMLALIKLI KASA PROF L SILL FRAME PROFILE	-	-	1,468 kg/m
	5883	DAMLALIKLI KASA PROF L SILL FRAME PROFILE	-	-	1,511 kg/m
	3961	KANAT PROF L (8 mm) SASH PROFILE	-	-	0,993 kg/m
	3990	KANAT PROF L (10 mm) SASH PROFILE	-	-	0,991 kg/m
	10282	KANAT PROF L (8 mm) SASH PROFILE	-	-	0,887 kg/m
	3045	YAN D KME PROF L SIDE POLE PROFILE	-	-	0,515 kg/m
	7617	DAMLALIK PROF L SILL PROFILE	-	-	0,538 kg/m
	6798	CAM H PROF L (8 mm) GLAZING H PROFILE (8 mm)	-	-	0,204 kg/m
	6799	CAM H PROF L (8 mm) GLAZING H PROFILE (8 mm)	-	-	0,292 kg/m
	7326	CAM H PROF L (8 mm) GLAZING H PROFILE (8 mm)	-	-	0,169 kg/m
	6800	90° CAM H PROF L (8 mm) 90° GLAZING H PROFILE (8 mm)	-	-	0,254 kg/m
	7327	CAM H PROF L (8 mm) GLAZING H PROFILE (8 mm)	-	-	0,142 kg/m
	7861	CAM H PROF L (8 mm) GLAZING H PROFILE (8 mm)	-	-	0,163 kg/m
	7860	CAM H PROF L (8 mm) GLAZING H PROFILE (8 mm)	-	-	0,209 kg/m
	8767	CAM H PROF L (10 mm) GLAZING H PROFILE (10 mm)	-	-	0,144 kg/m
	8766	CAM H PROF L (10 mm) GLAZING H PROFILE (10 mm)	-	-	0,196 kg/m

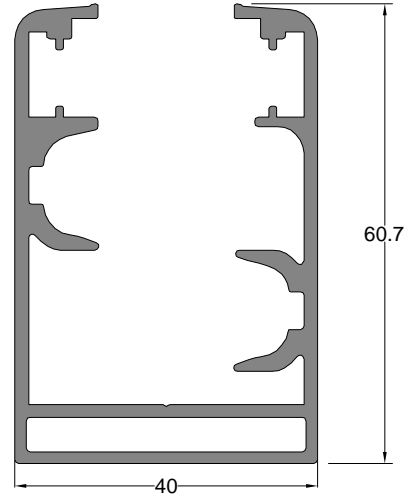
** Her profil için minimum sipari 300 kg'dır.
** Minimum order quantity is 300 kg per profile.

AKSESUAR ACCESSORY	STOK KODU REFERENCE CODE	AKSESUAR ADI DESCRIPTION	AKSESUAR KODU PRODUCT CODE	PAKET PACK
	13 300139	AYARLI P M (UZUN) ADJUSTABLE PIN (LONG)	CB40-AP.139	1 pk / 100 ad
	13 300149	AYARLI P M (KISA) ADJUSTABLE PIN (SHORT)	CB40-AP.149	1 pk / 100 ad
	13 300138	AYARSIZ P M (UZUN) PIN (LONG)	CB40-AP.138	1 pk / 100 ad
	13 300150	AYARSIZ P M (KISA) PIN (SHORT)	CB40-AP.150	1 pk / 100 ad
	13 300100	LÜKS K L T ALT-ÜST (S YAH) LOCK BOTTOM-TOP (BLACK)	CB40-AP.150	1 pk / 100 ad
	13 300128	KANAT STOPLAMA SASH STOPPER	CB40-ST.128	1 pk / 100 ad
	13 300129	BONCUK P BEAD ROPE	CB40-B.129	1 pk / 100 ad
	13 627600	KROM Z NC R CHROME ROPE	CB40-KZ.600	1 pk / 10 ad
	13 627300	LÜKS K L T Z NC R LOCK CHAIN (CHROME)	CB40-LZ.300	1 pk / 10 ad
	13 300160	PLAST K CAM ÇITASI (8 mm) PLASTIC GLAZING BEAD (8 mm)	CB40-PÇ.160	1 pk / 50 ad
	13 300164	PLAST K CAM ÇITASI BALONLU (8 mm) BUBBLED PLASTIC GLAZING BEAD (8 mm)	CB40-BÇ.164	1 pk / 40 ad
	13 300165	PLAST K 90° CAM ÇITASI (8 mm) PLASTIC 90° GLAZING BEAD (8 mm)	CB40-CÇ.165	1 pk / 50 ad
	13 300162	PLAST K CAM ÇITASI Ç FT TARAF LI (8 mm) DOUBLE SIDED PLASTIC GLAZING BEAD (8 mm)	CB40-PC.162	1 pk / 50 ad
	13 300163	PLAST K CAM ÇITASI Ç FT TARAF LI (10 mm) DOUBLE SIDED PLASTIC GLAZING BEAD (10 mm)	CB40-PC.163	1 pk / 40 ad
	13 300161	PLAST K CAM ÇITASI (10 mm) PLASTIC GLAZING BEAD (10 mm)	CB40-PC.161	1 pk / 40 ad
	03 050712	FIRÇA F T L (6.8 - 10 mm) WEATHER STRIP (6.8 - 10 mm)	CB40-FÇ.712	200 mt / 1 pk 10 kg
	03 050713	FIRÇA F T L (6.8 - 12 mm) WEATHER STRIP (6.8 - 12 mm)	CB40-FÇ.713	200 mt / 1 pk 10 kg
	13 300135	ÇIKI U'SU (PLAST K) EXIT U (PLASTIC)	CB40-CU.135	1 pk / 100 ad
	13 300131	90° KÖ E DÖNÜ KAPA I (PLAST K) 90° CORNER COVER (PLASTIC)	CB40-CK.131	1 pk / 100 ad
	13 300133	22,5° DÖNÜ KAPAK (PLAST K) 22,5° JOINT COVER (PLASTIC)	CB40-CK.133	1 pk / 100 ad
	13 300124	OVAL KAPAK (PLAST K) OVAL COVER (PLASTIC)	CB40-CK.134	1 pk / 100 ad

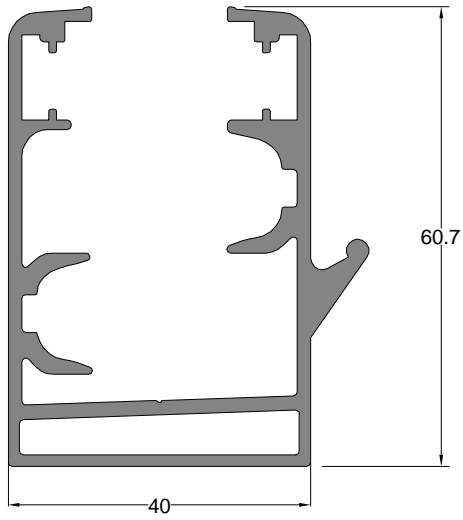
AKSESUAR ACCESSORY	STOK KODU REFERENCE CODE	AKSESUAR ADI DESCRIPTION	AKSESUAR KODU PRODUCT CODE	PAKET PACK
	13 300132	B T M KAPA I-SA (PLAST K) END COVER-RIGHT (PLASTIC)	CB40-CK.132	1 pk / 100 ad
	13 300151	B T M KAPA I-SOL (PLAST K) END COVER-LEFT (PLASTIC)	CB40-CK.151	1 pk / 100 ad
	13 300130	ARA KAPAK-SA (PLAST K) MIDDLE COVER-RIGHT (PLASTIC)	CB40-CK.130	1 pk / 100 ad
	13 300152	ARA KAPAK-SOL (PLAST K) MIDDLE COVER-LEFT (PLASTIC)	CB40-CK.152	1 pk / 100 ad
	13 300136	D KME TAKOZU STRUT WEDGE	CB40-DT.136	1 pk / 100 ad
	13 300100	PARK KANAT TEKER SASH STOPPING ROLLER	CB40-PKT.200	1 pk / 50 ad
	13 300101	DÜZ KANAT TEKER FLAT SASH ROLLER	CB40-DKT.201	1 pk / 50 ad
	13 300137	KÖ E MAFSAL CORNER JOINT	CB40-KM.137	1 pk / 100 ad
	13 300120	CAM BALKON BOYNUZ GLAZING BALCONY HORN	CB40-CB.120	1 pk / 50 ad
	13 300140	2'L BAKLA 2 SLOTTED LINK	CB40-BK.140	1 pk / 100 ad
	13 300141	3'LÜ BAKLA 3 SLOTTED LINK	CB40-BK.141	
	13 300142	4'LÜ BAKLA 4 SLOTTED LINK	CB40-BK.142	
	13 300143	5'L BAKLA 5 SLOTTED LINK	CB40-BK.143	
	13 300144	6'L BAKLA 6 SLOTTED LINK	CB40-BK.144	
	13 300145	7'L BAKLA 7 SLOTTED LINK	CB40-BK.145	
	13 300147	9'L BAKLA 9 SLOTTED LINK	CB40-BK.147	



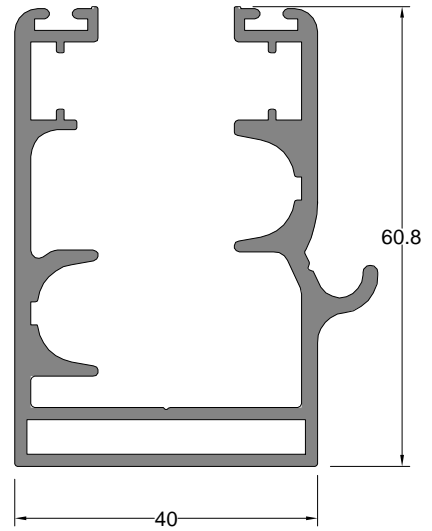
Kasa Profili	Profil Kodu	(kg/mt)
FRAME PROFILE	Profile Code	Weight
	3962	1,475



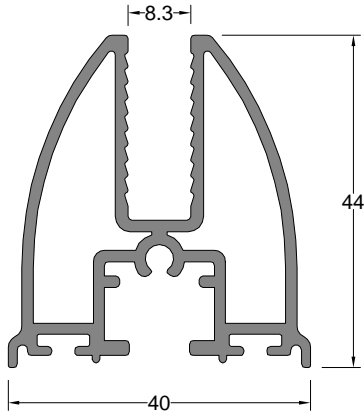
Kasa Profili	Profil Kodu	(kg/mt)
FRAME PROFILE	Profile Code	Weight
	10283	1,339



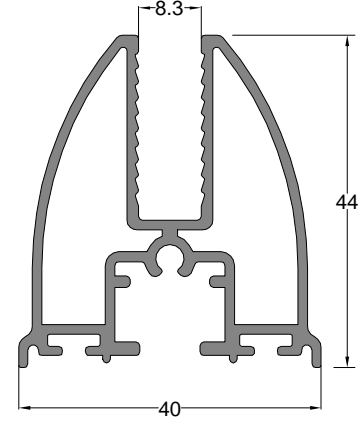
Damlalıklı Kasa Profili	Profil Kodu	(kg/mt)
SILL FRAME PROFILE	Profile Code	Weight
	11721	1,468



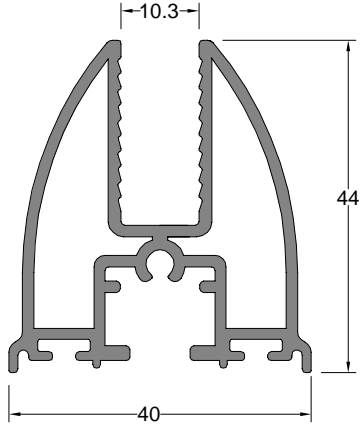
Damlalıklı Kasa Profili	Profil Kodu	(kg/mt)
SILL FRAME PROFILE	Profile Code	Weight
	5883	1,511



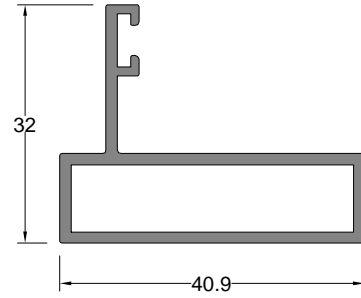
Kanat Profili	Profil Kodu Profile Code	(kg/mt) Weight
SASH PROFILE	3961	0,993



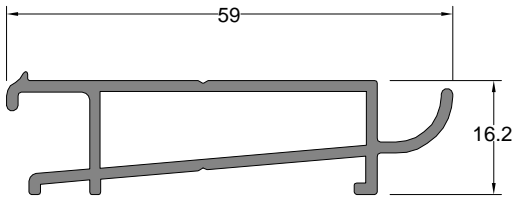
Kanat Profili	Profil Kodu Profile Code	(kg/mt) Weight
SASH PROFILE	10282	0,887



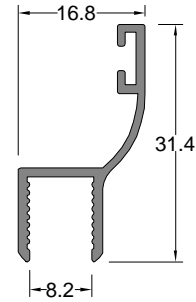
Kanat Profili	Profil Kodu Profile Code	(kg/mt) Weight
SASH PROFILE	3990	0,991



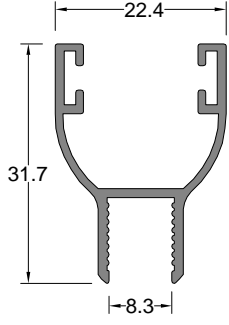
Yan Dikme Profili	Profil Kodu Profile Code	(kg/mt) Weight
SIDE POLE PROFILE	3045	0,515



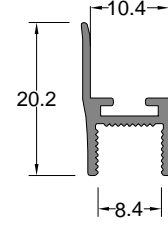
Damlalık Profili	Profil Kodu Profile Code	(kg/mt) Weight
SILL PROFILE	7617	0,538



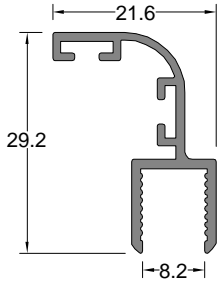
Cam H Profili (8 mm)	Profil Kodu Profile Code	(kg/mt) Weight
GLAZING H PROFILE (8 mm)	6798	0,204



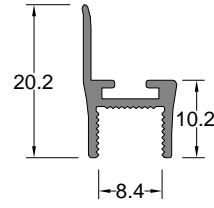
Cam H Profili (8 mm)	Profil Kodu Profile Code	(kg/mt) Weight
GLAZING H PROFILE (8 mm)	6799	0,292



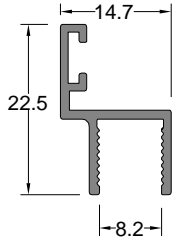
Cam H Profili (8 mm)	Profil Kodu Profile Code	(kg/mt) Weight
GLAZING H PROFILE (8 mm)	7326	0,169



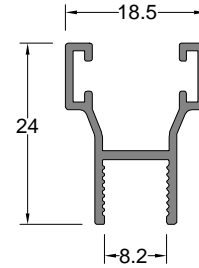
90° Dönü Profili (8mm)	Profil Kodu Profile Code	(kg/mt) weight
90° GLAZING H PROFILE (8mm)	6800	0,254



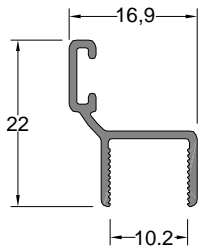
Cam H Profili (8mm)	Profil Kodu Profile Code	(kg/mt) weight
GLAZING H PROFILE (8mm)	7327	0,142



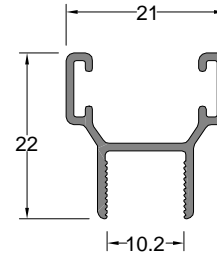
Cam H Profili (8mm)	Profil Kodu Profile Code	(kg/mt) weight
GLAZING H PROFILE (8mm)	7861	0,163



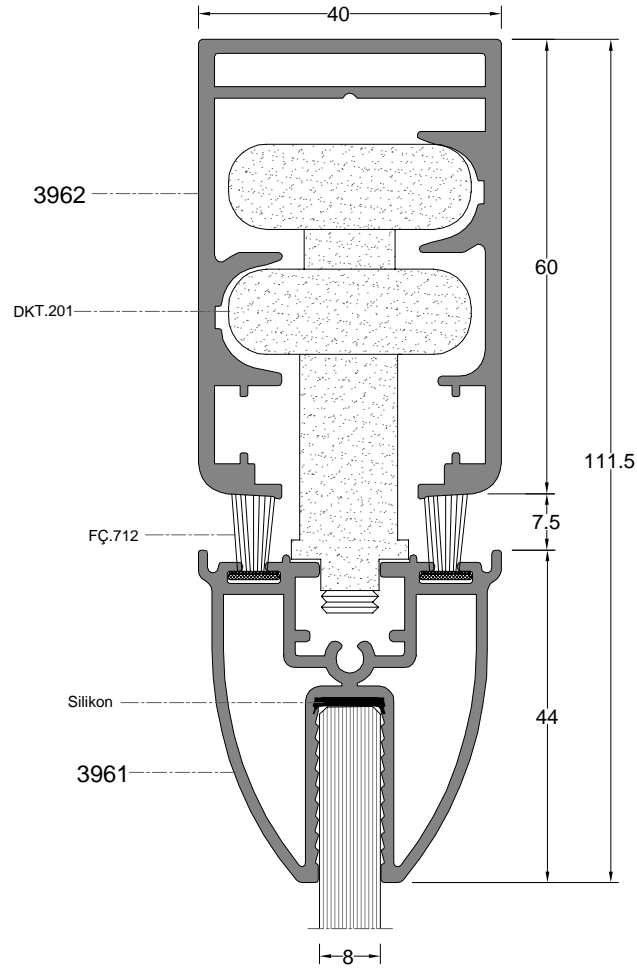
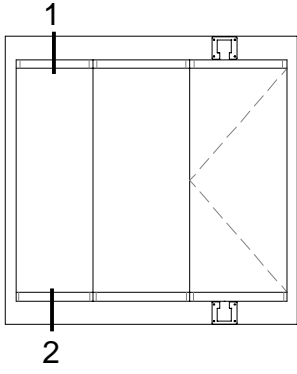
Cam H Profili (8mm)	Profil Kodu Profile Code	(kg/mt) weight
GLAZING H PROFILE (8mm)	7860	0,209



Cam H Profili (10mm)	Profil Kodu Profile Code	(kg/mt) weight
GLAZING H PROFILE (10mm)	8767	0,144



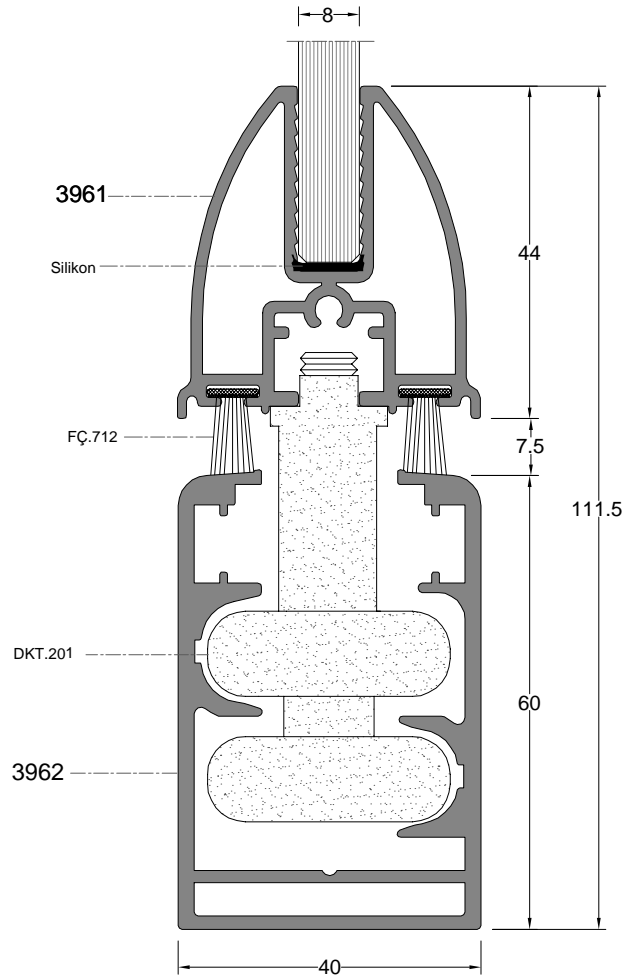
Cam H Profili (10mm)	Profil Kodu Profile Code	(kg/mt) weight
GLAZING H PROFILE (10mm)	8766	0,196



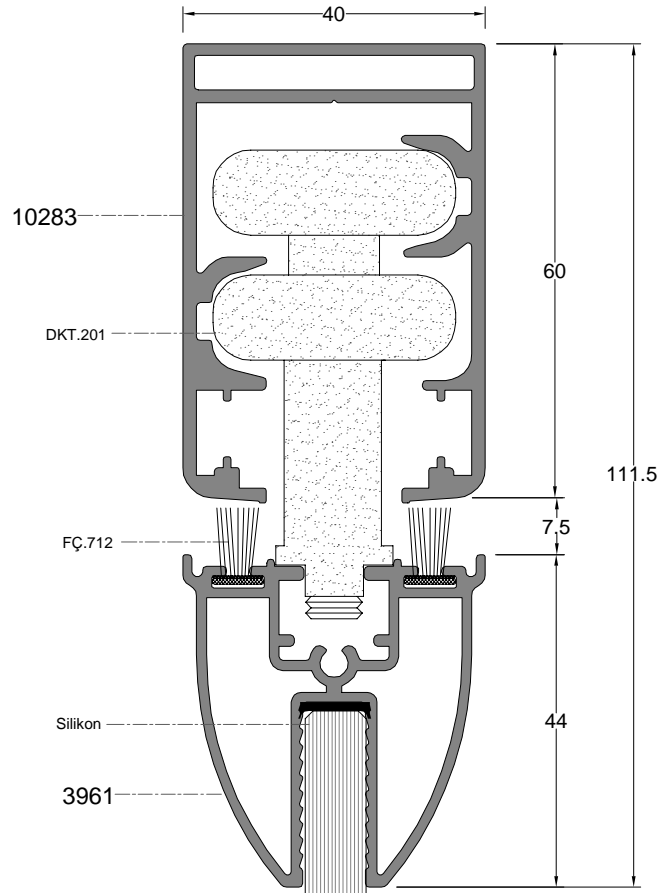
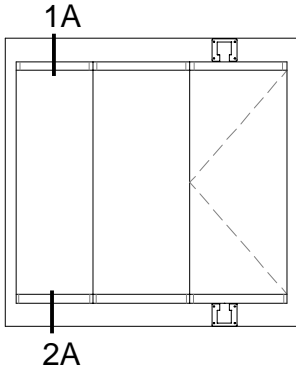
D-1

İÇ
(INSIDE)

DIŞ
(OUTSIDE)



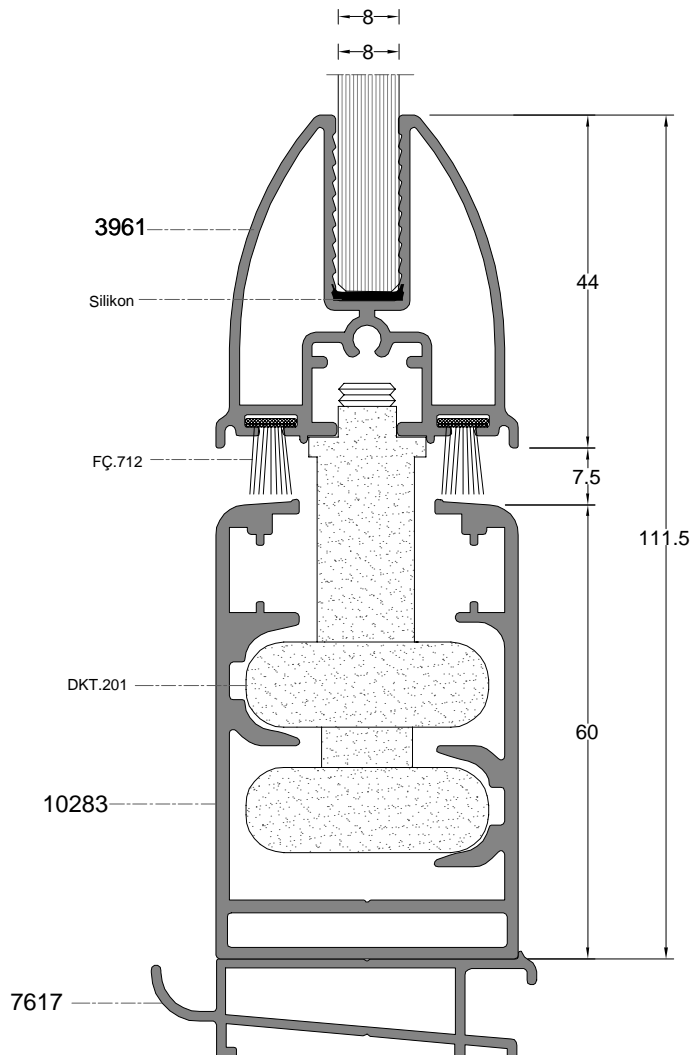
D-2



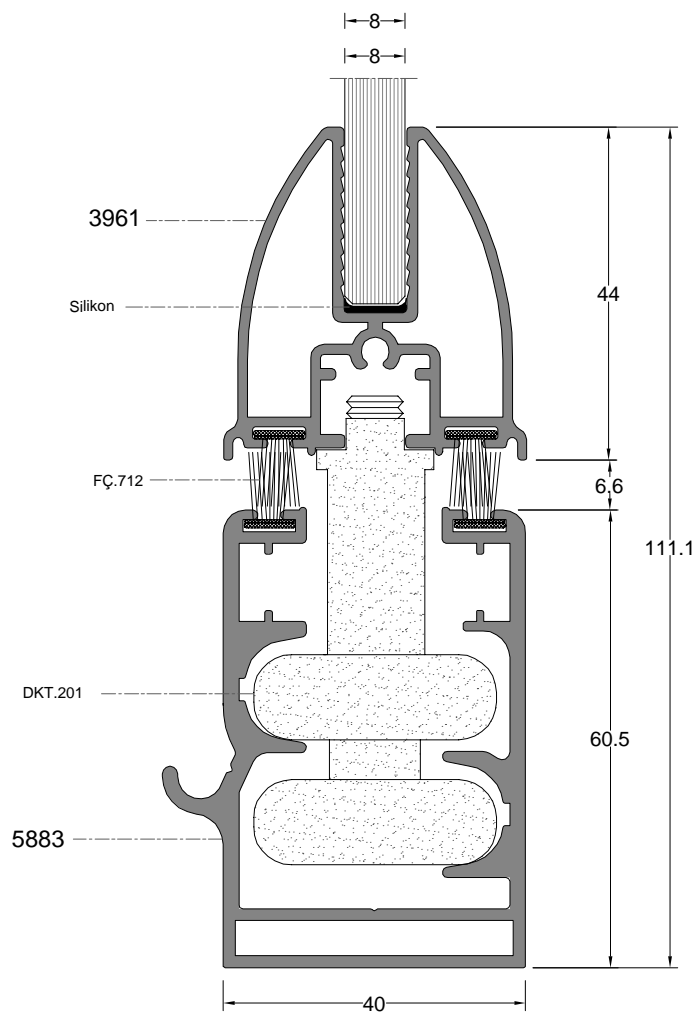
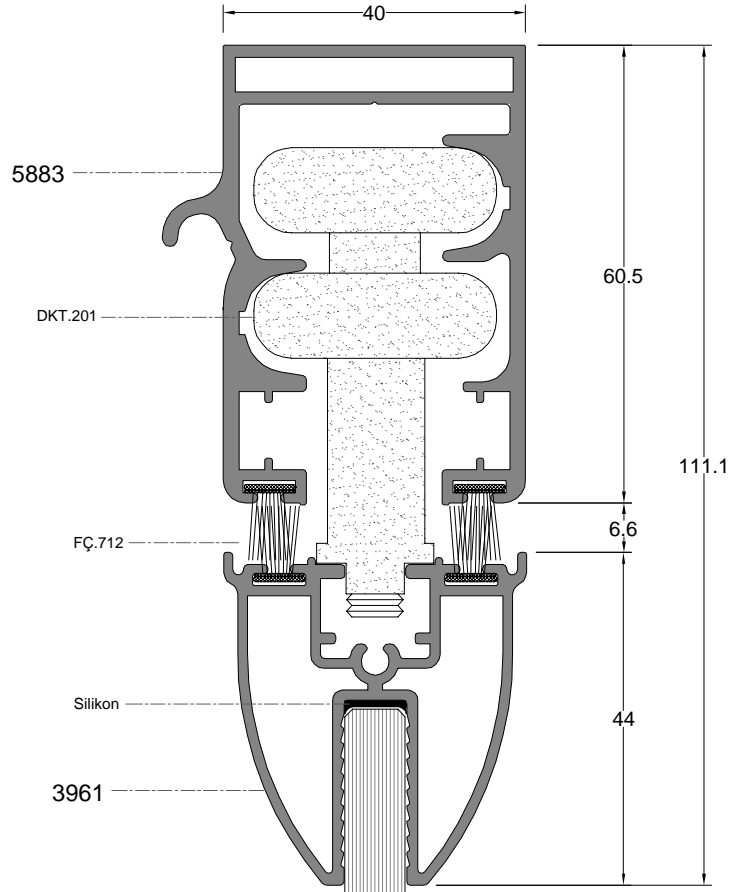
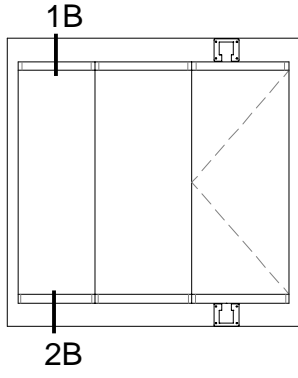
D-1A

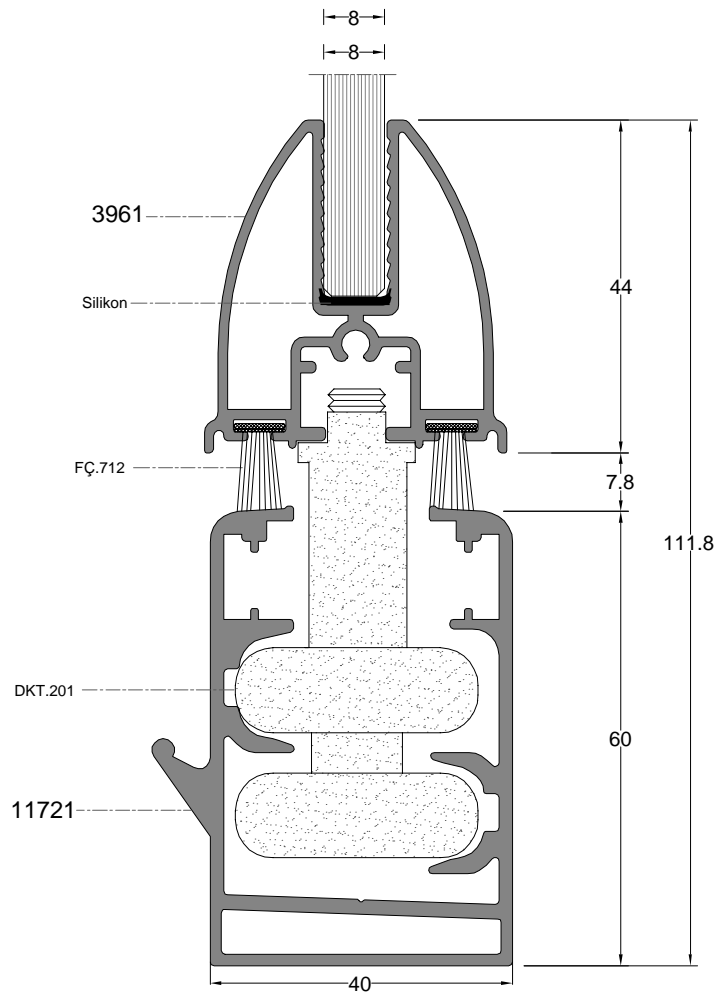
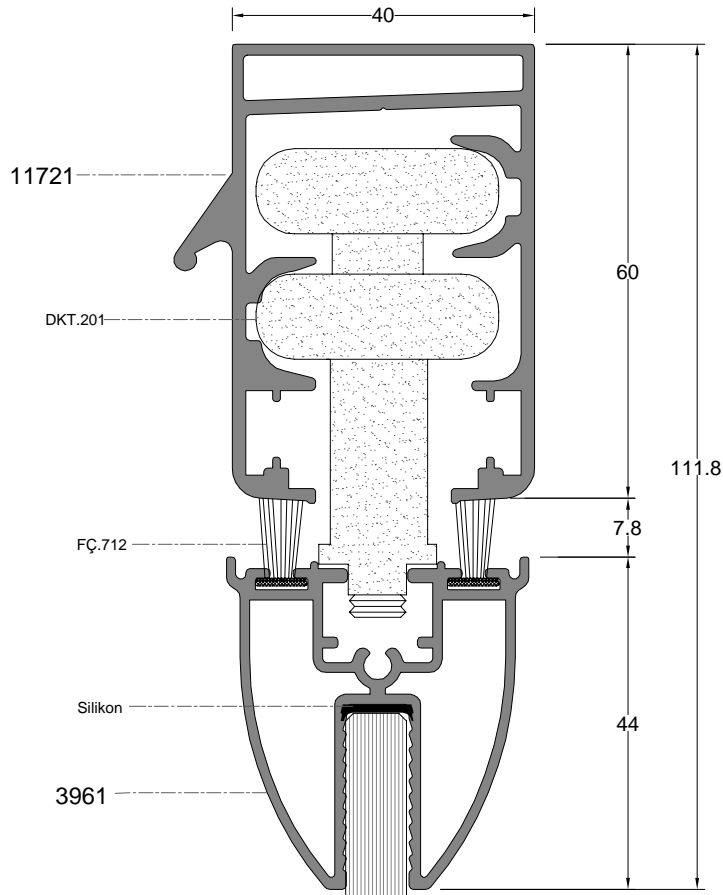
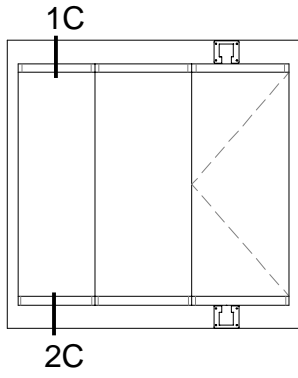
İÇ
(INSIDE)

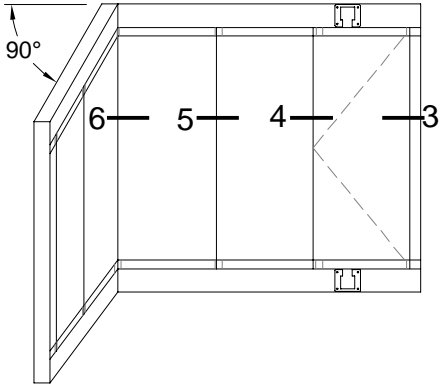
DIŞ
(OUTSIDE)



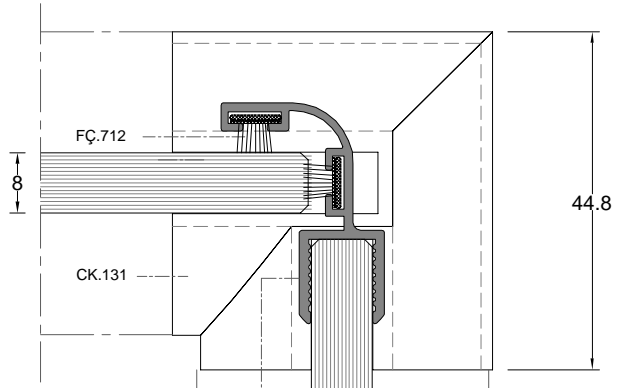
D-2A



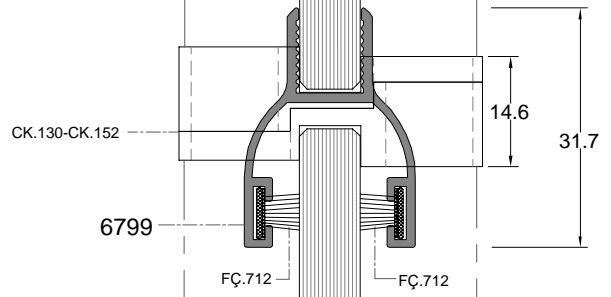




D-6



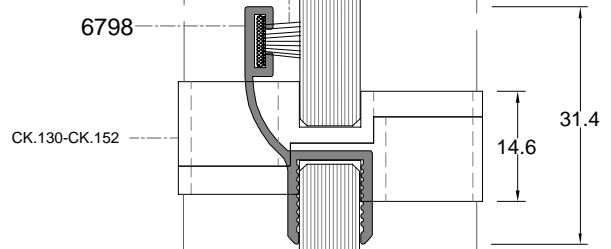
D-5



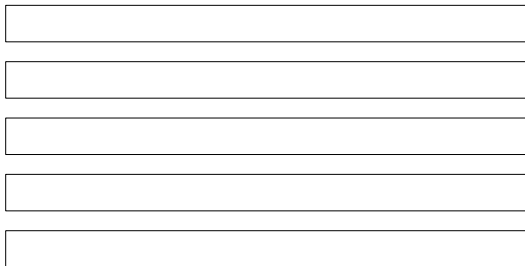
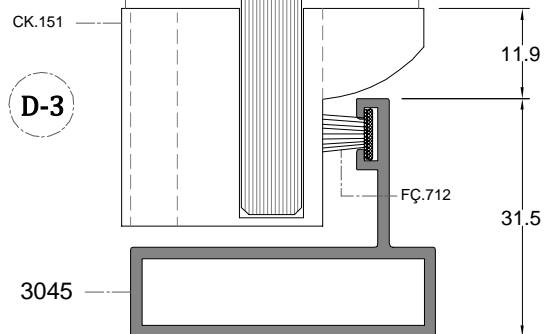
İÇ
(INSIDE)

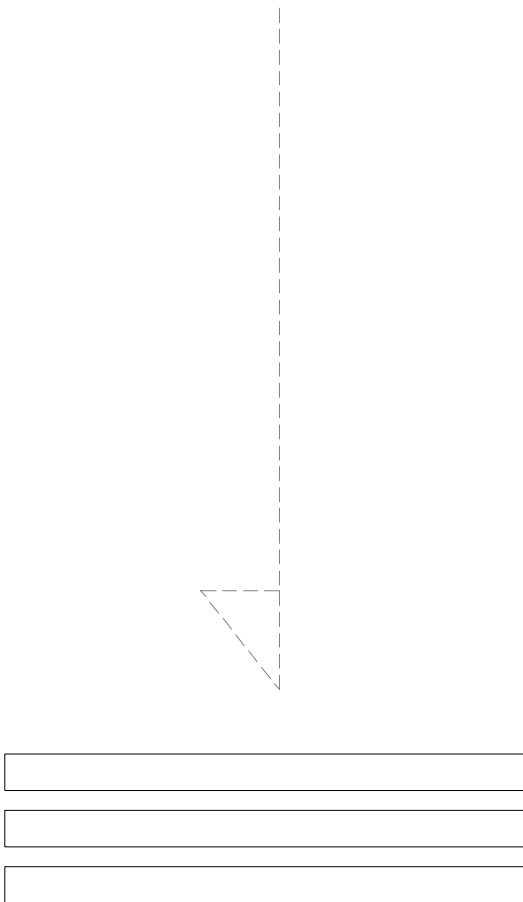
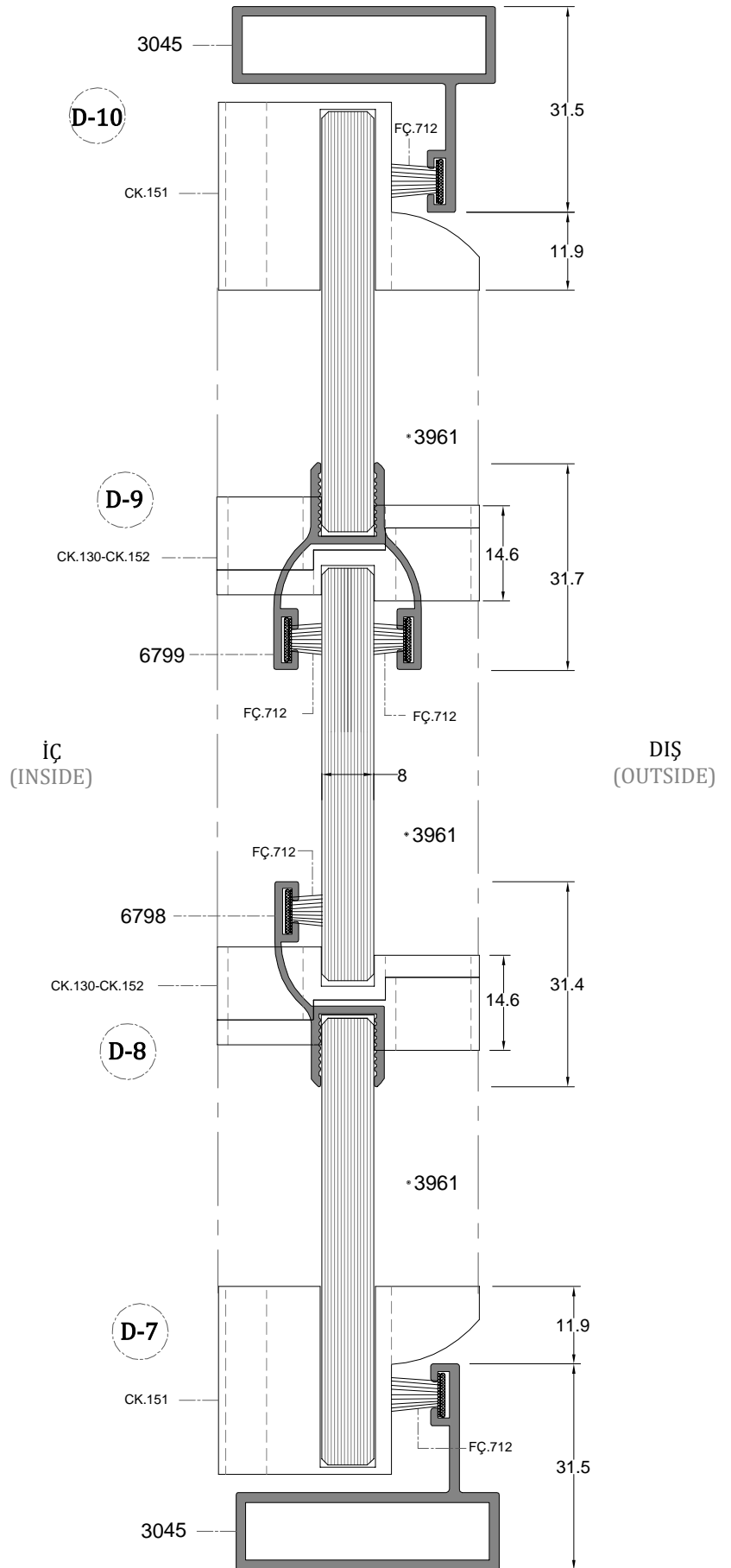
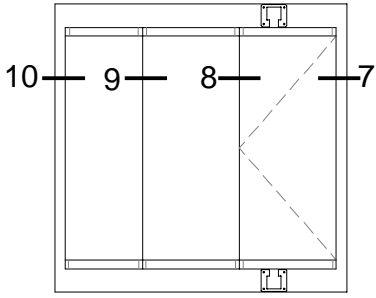
DIŞ
(OUTSIDE)

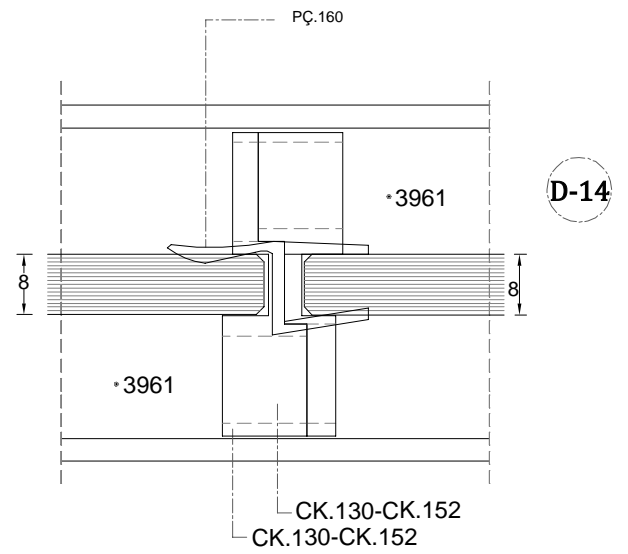
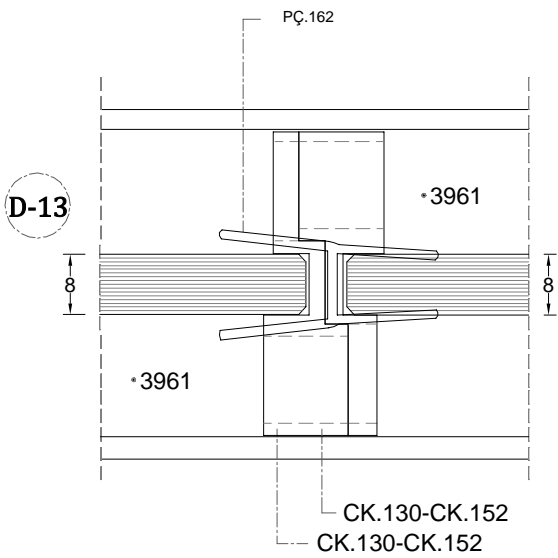
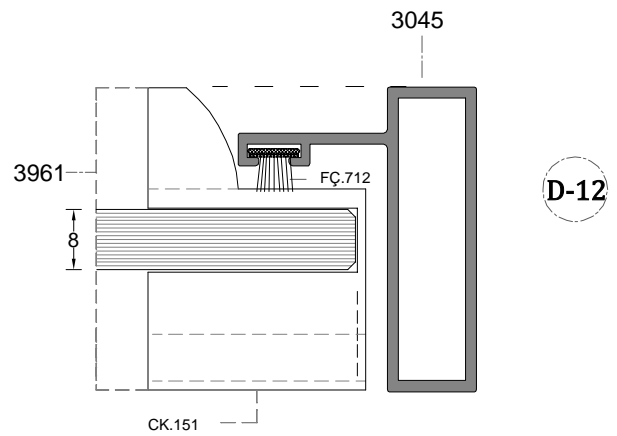
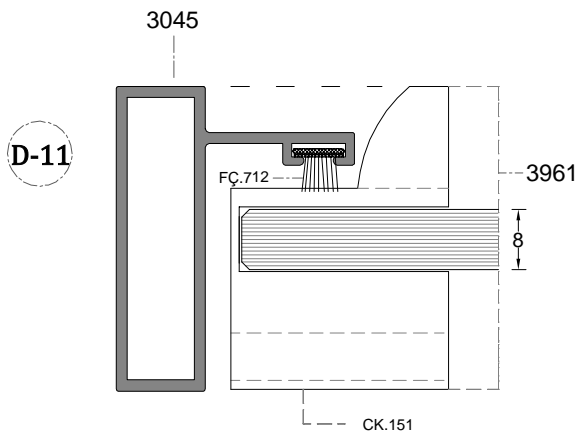
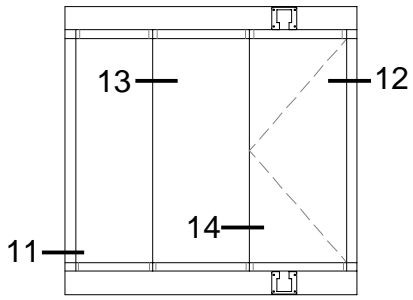
D-4

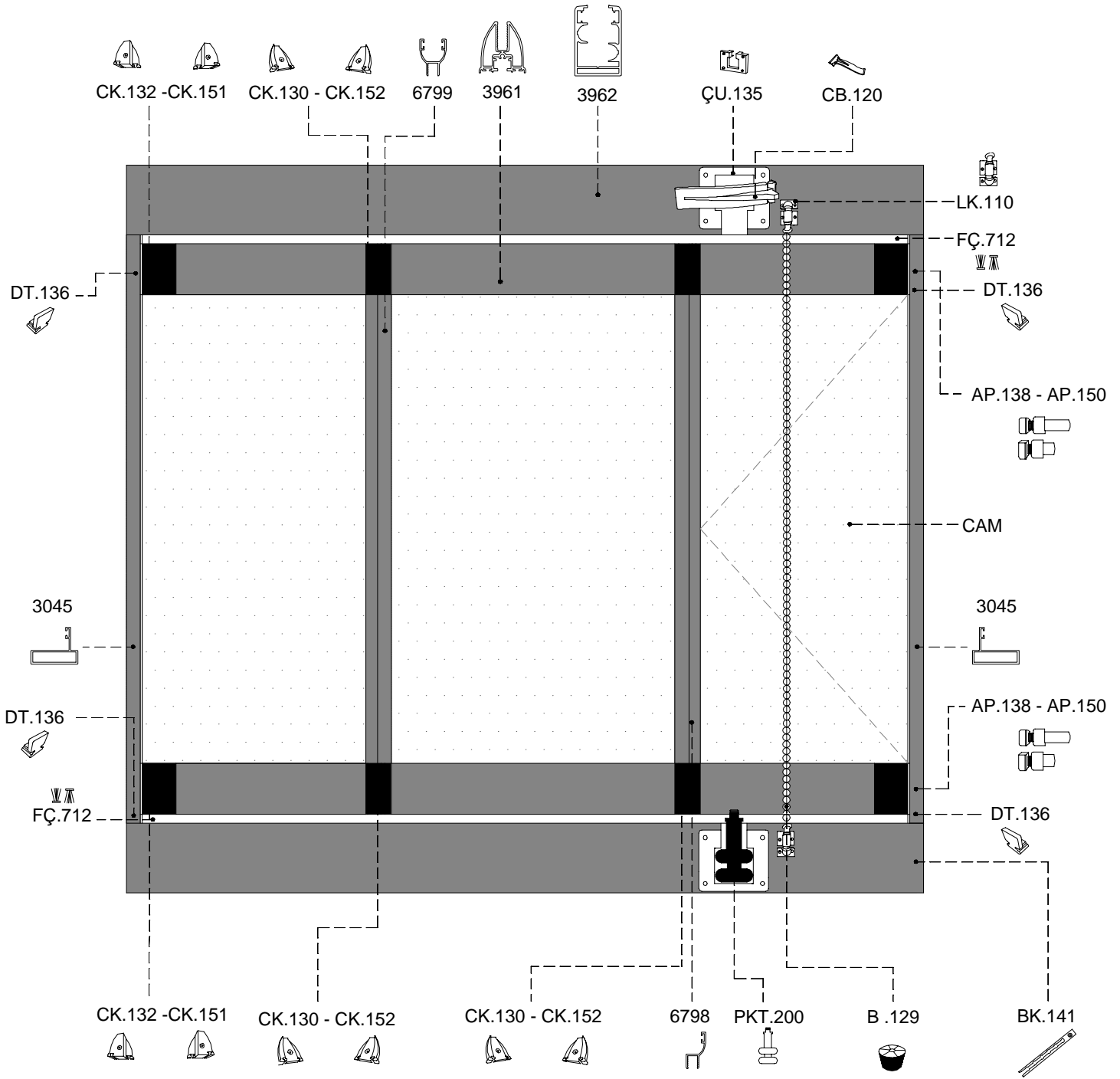


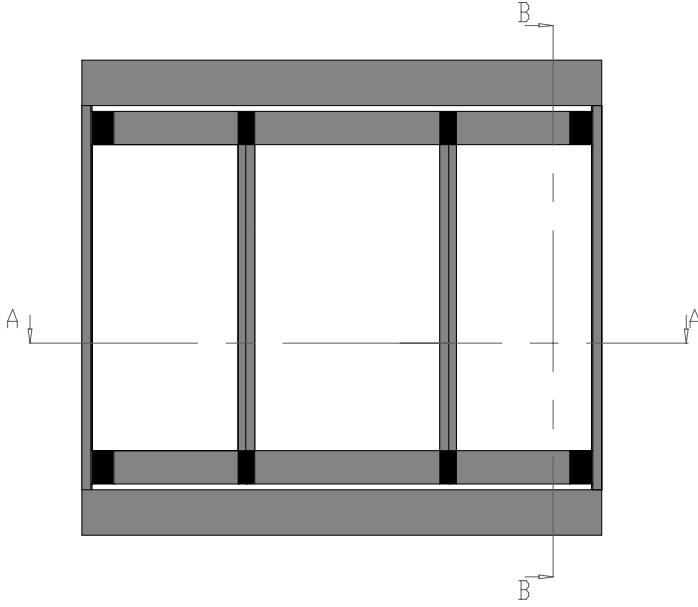
D-3











PROFİLLER / PROFILES

Kod Code	Çizim Drawing	Kesim Cut	Miktar Quantity	Ölçüler Dimensions
11721 Kasa Frame			2Pcs / Adet	L
3045 Yan Kasa Side Frame			2Pcs / Adet	H-120
10282 Kanat Profili Sash Profile			6Pcs / Adet	GL-10
6798 Cam H Profili Glazing H Profile			1Pcs / Adet	GH-23
6799 Cam H Profili Glazing H Profile			1Pcs / Adet	GH-23

CAM / GLAZING

Kod Code	Çizim Drawing	Miktar Quantity	Ölçüler Dimensions
CAM GLAZING		3 Pcs / Adet	$GL = \frac{L-40-((A-1) \times 5)}{A(\text{KANAT ADETİ})}$ GH = H-180

CAM ÖLÇÜLER E T KABUL ED LEREK FORMÜLE ED LM T R.
GLAZING DIMENSIONS ARE ASSUMED TO BE EQUAL.

